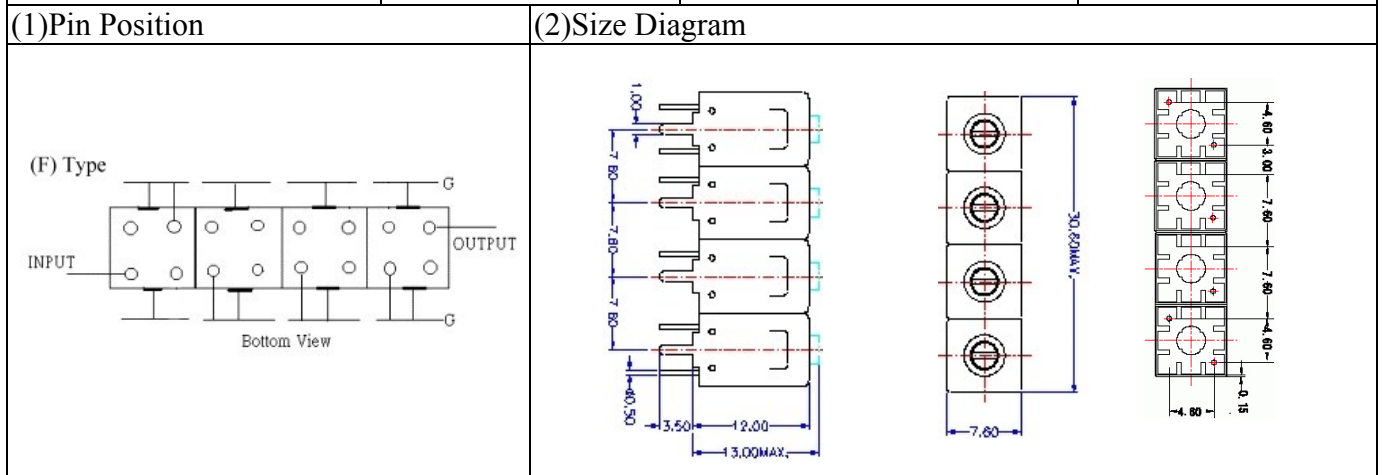


# VHF UHF Helical Filter Specification Sheet

Customer Name		Temwell's Part No.	TF64477F-920M
Approval No. /dated	201210011CD	Temwell's Print name	64477F 920M
Work Instruction No.	201210011CD	Date	Oct.09.2012



(3) Electric Characteristic

Item	Specify	Performance
Center Freq.(Fo) +/- 0.5 %	920 MHz	920 MHz
Insertion Loss	Typ. 2.0 dB	1.57 dB
-3 dB Bandwidth	Typ. 80 MHz	90.4 MHz
Sensitivity (Attenuation)	Fo - ( 75 ) MHz	Typ. 28 dB
	Fo + ( 75 ) MHz	Typ. 18 dB
	Fo - ( ) MHz	Typ. dBc
	Fo + ( ) MHz	Typ. dBc
Return Loss	Min. 12 dB	19.2 dB
Ripple	< 1 dB	dB
Impedance	In / Out : 50 Ω	In / Out : 50 Ω
(4) Torque for Tuning Screw	> 60gf · cm	

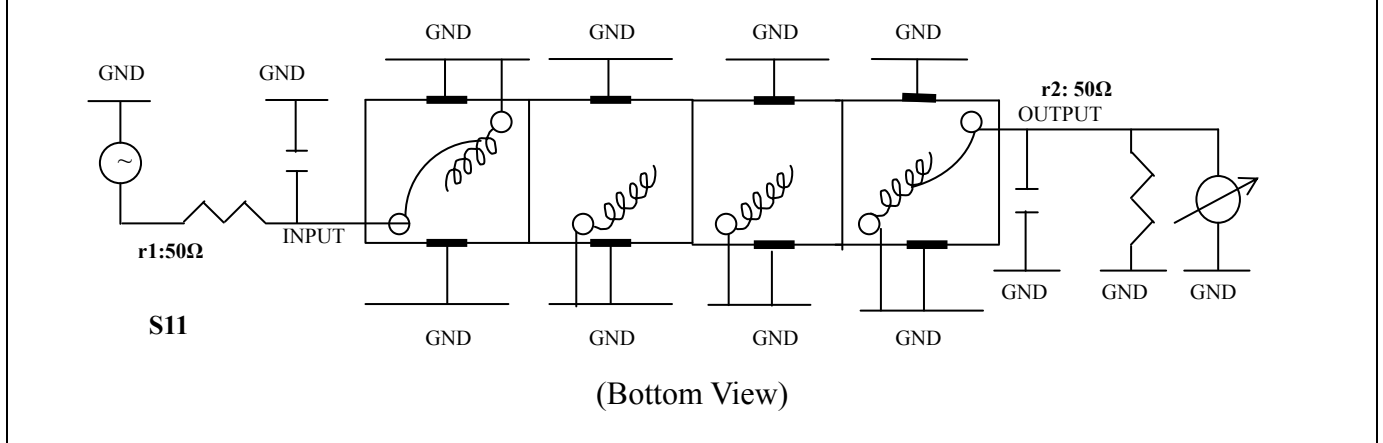
(5) Temperature Condition:

Operating Temperature	0°C ~ +60°C
Storage Temperature	-20°C ~ +70°C

(6) Input Power

	> 1 Watt
--	----------

(7) Measuring Circuit: ※Easy to match Impedance S11/S22 50Ω by parallel with about( -- ) / ( -- ).



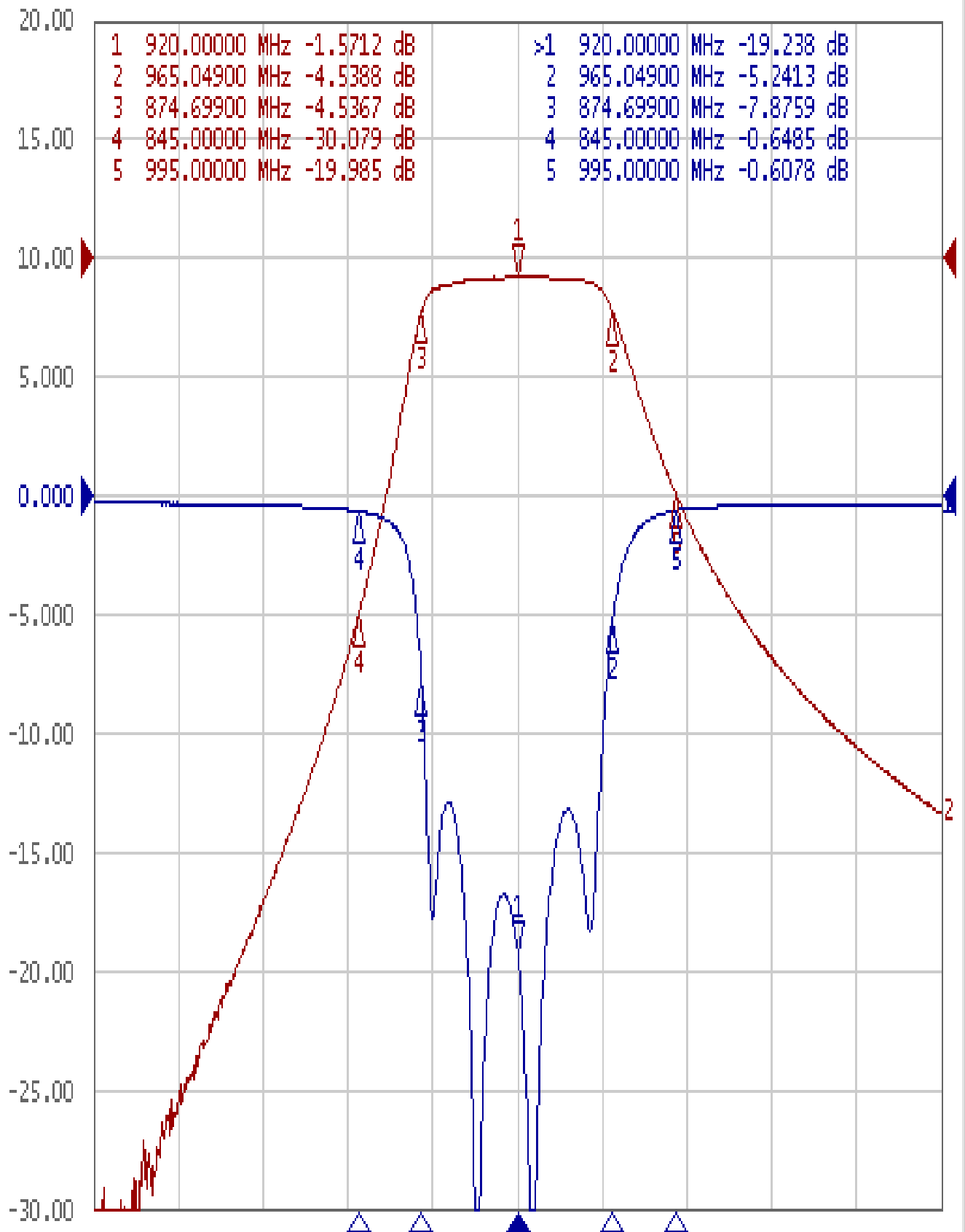
Approval	Supervisor	Designer	Aperture size
C.Y.Chang	C.K.Chang	F.L.Lai	7H4S(4*7.5)(7.55) 7H046LB5.5 (J1)

TEMWELL CORPORATION

# Performance-TF64477F-920M

## 201210011CD

Tr1 S11 Log Mag 5.000dB/ Ref 0.000dB [F2]  
Tr2 S21 Log Mag 10.00dB/ Ref 0.000dB [F2]



1 Center 920 MHz

IFBW 10 kHz

Span 400 MHz Cor !