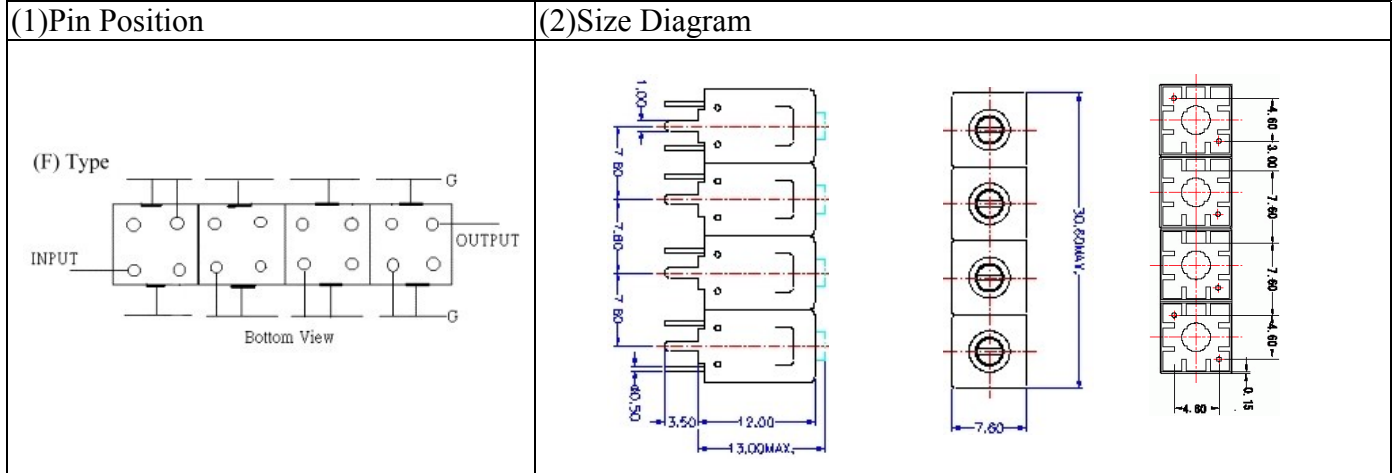


# VHF UHF Helical Filter Specification Sheet

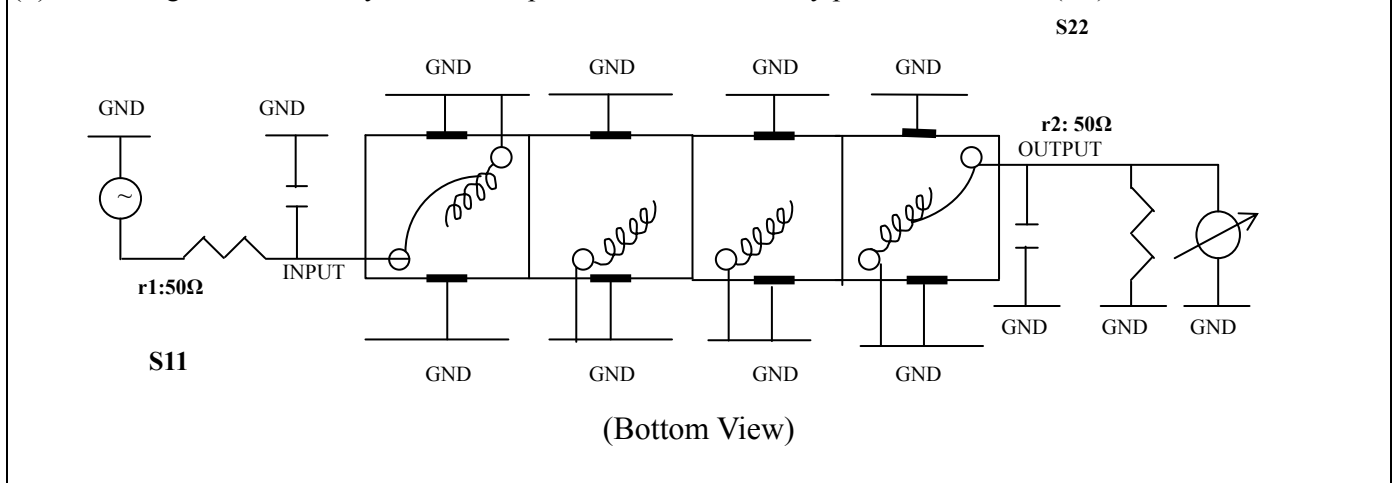
Customer Name		Temwell's Part No.	TF64465F-805M
Approval No. /dated	201206078CD	Temwell's Print Name	64465F 805M
Work Instruction No.	201206078CD	Date	Jul.11.2012



(3) Electric Charasteric

Item	Specify	Performance	
Center Freq.(Fo ) +/- 0.5 %	805 MHz	805 MHz	
Insertion Loss	Typ. 2.0 dB	0.99 dB	
-3 dB Bandwidth	Typ. 140 MHz	146.2 MHz	
Sensitivity (Attenuation)	Fo - (150) MHz	Typ. 40 dBc	43 dBc
	Fo + (150) MHz	Typ. 19 dBc	22 dBc
	Fo - ( ) MHz	Typ. dBc	dBc
	Fo + ( ) MHz	Typ. dBc	dBc
Return Loss	Min. 12 dB	23.7 dB	
Ripple	< 1 dB	dB	
Impedance	In / Out : 50 Ω	In / Out : 50 Ω	
(4) Torque for Tuning Screw	> 60gf · cm		
(5) Temperature Condition:			
Operating Temperature	0°C ~ +60°C		
Storage Temperature	-20°C ~ +70°C		
(6) Input Power	> 1Watt		

(7) Measuring Circuit: ※Easy to match Impedance S11/S22 50Ω by parallel with about( -- ).



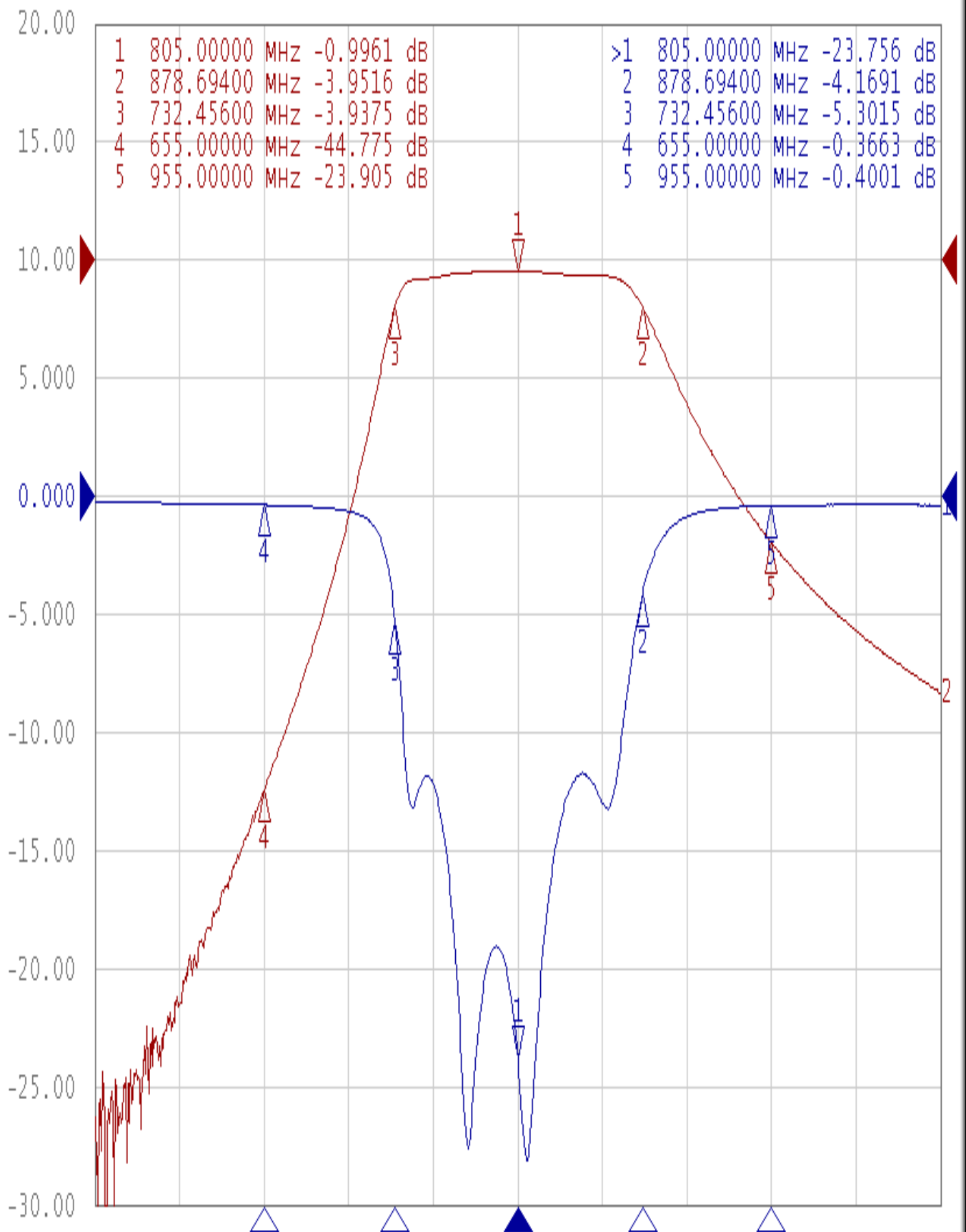
Approval	Supervisor	Designer	Aperture size
C.Y.Chang	C.K.Chang	C.S.Chang	7H4S(4*8.0)(8.02) 7H046LB6.6

TEMWELL CORPORATION

# Performance-TF64465F-805M

## 201206078CD

Tr1 S11 Log Mag 5.000dB/ Ref 0.000dB [F2]  
Tr2 S21 Log Mag 10.00dB/ Ref 0.000dB [F2]



1 Center 805 MHz

IFBW 10 kHz

Span 500 MHz Cor !