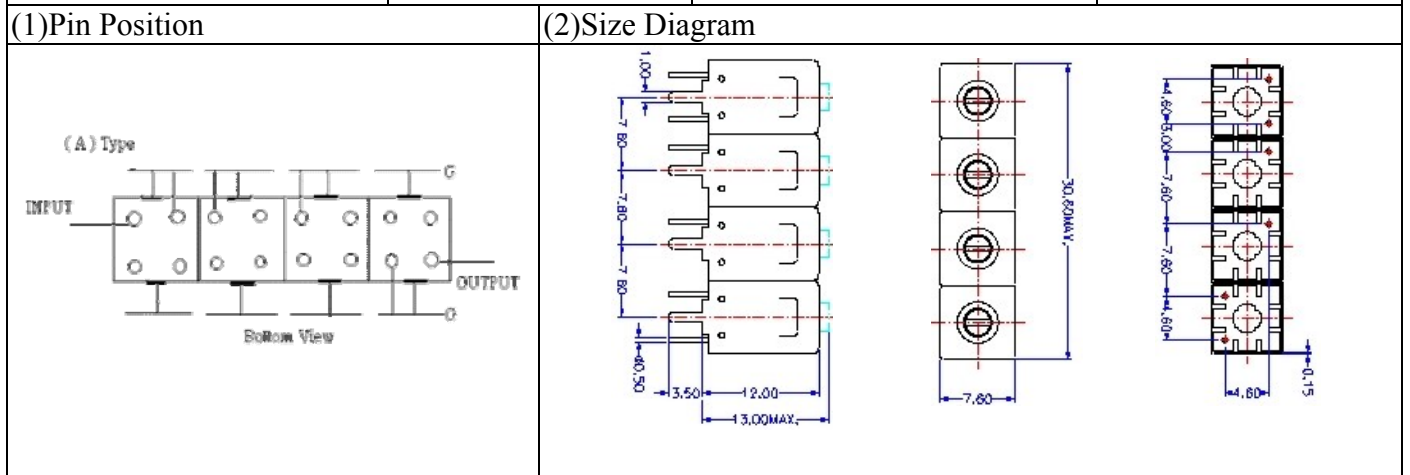
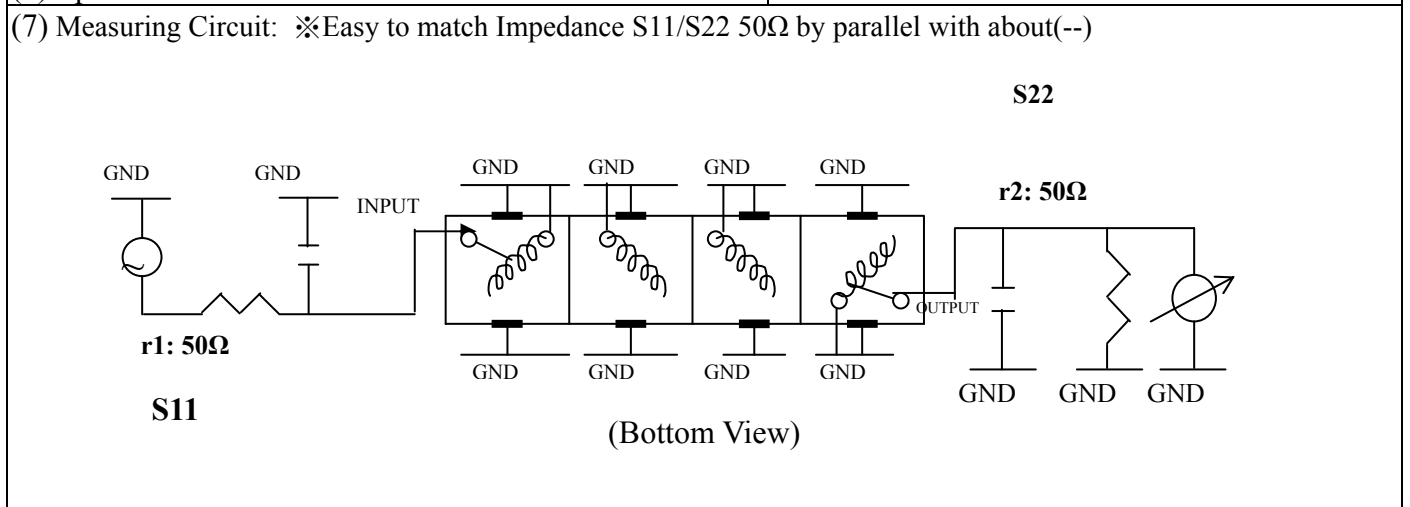


VHF UHF Helical Filter Specification Sheet

Customer Name		Temwell's Part No.	TF64432A-1000M
Approval No. /dated		Temwell's Print Name	64432A 1000M
Work Instruction No.	201302087CD	Date	Mar.06.2013



Item		Specify	Performance
Center Freq.(Fo) +/- 0.5 %		1000 MHz	1000 MHz
Insertion Loss		Typ. 2.0 dB	1.83 dB
-3 dB Bandwidth		Typ. 50 MHz	60.7 MHz
Sensitivity (Attenuation)	Fo - 100 MHz	Typ. 40 dBc	56 dBc
	Fo + 100 MHz	Typ. 27 dBc	39 dBc
	Fo - ()MHz	Typ. dBc	dBc
	Fo +()MHz	Typ. dBc	dBc
Return Loss		Min. 12 dB	35.7 dB
Ripple		< 1 dB	dB
Impedance		In / Out : 50 Ω	In / Out : 50 Ω
(4) Torque for Tuning Screw		> 60gf · cm	
(5) Temperature Condition:			
Operating Temperature		0°C ~ +60°C	
Storage Temperature		-20°C ~ +70°C	
(6) Input Power		> 1 Watt	

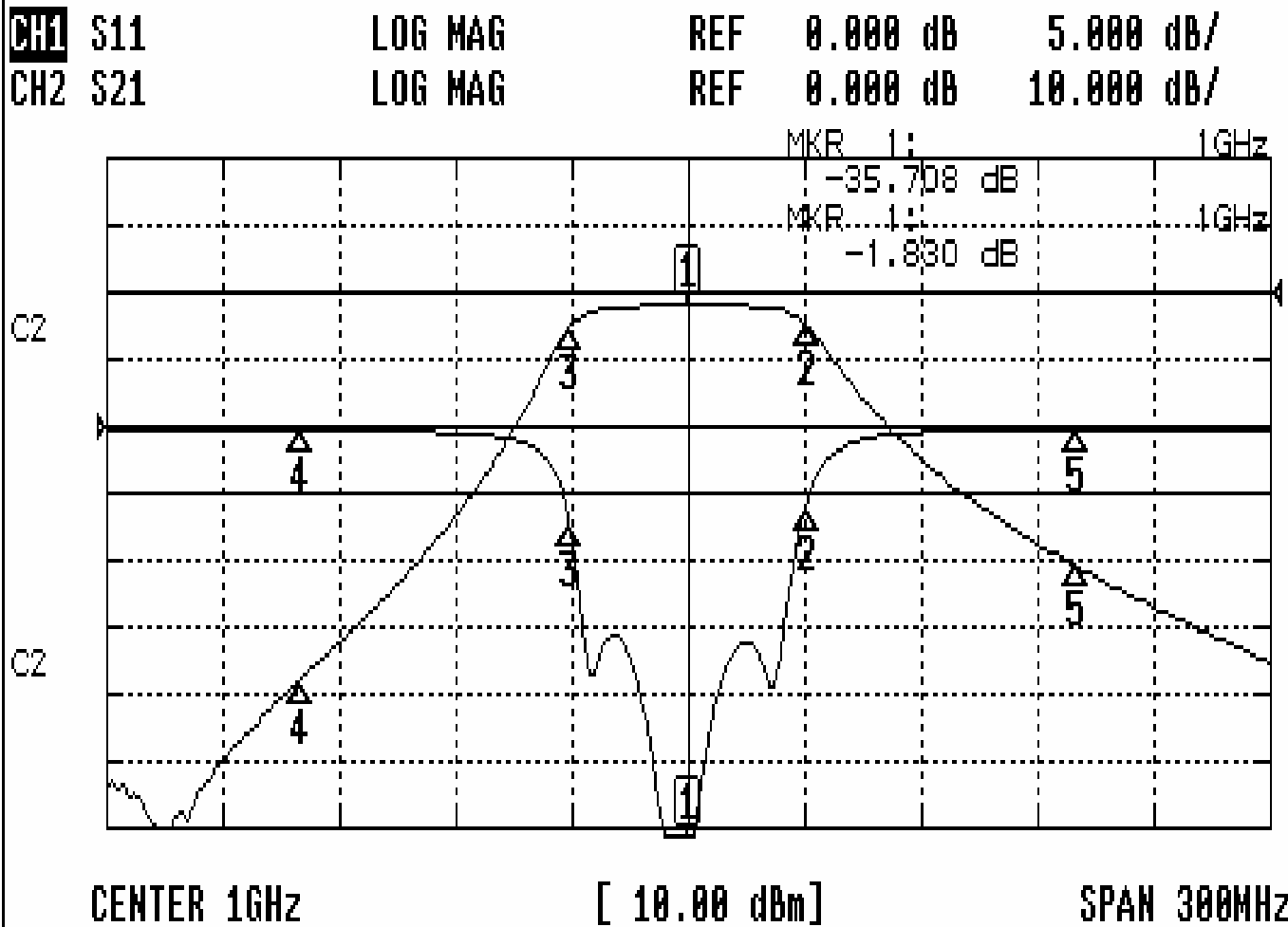


Approval	Supervisor	Designer	Aperture size
C C.Y.Chang	C.K.Chang	C.H.Yeh	7H4S(4*5.5)(5.58) 7H046LB5 (SP)

TEMWELL CORPORATION

Performance-TF64432A-1000M

201302087CD



CH1 MARKER LIST

Marker	Freq (GHz)	Magnitude (dB)
1	1.000 000	-35.708
2	1.030 500	-5.904
3	969.750	-7.621
4	900.000	-0.261
5	1.100 000	-0.238

CH2 MARKER LIST

Marker	Freq (GHz)	Magnitude (dB)
1	1.000 000	-1.830
2	1.030 500	-4.856
3	969.750	-4.900
4	900.000	-57.874
5	1.100 000	-40.901