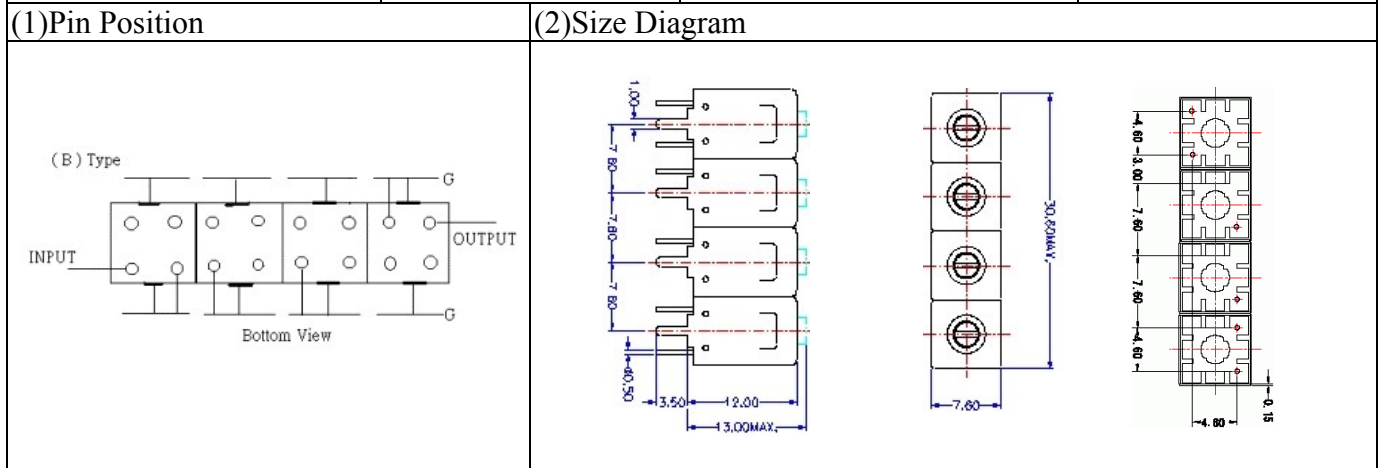
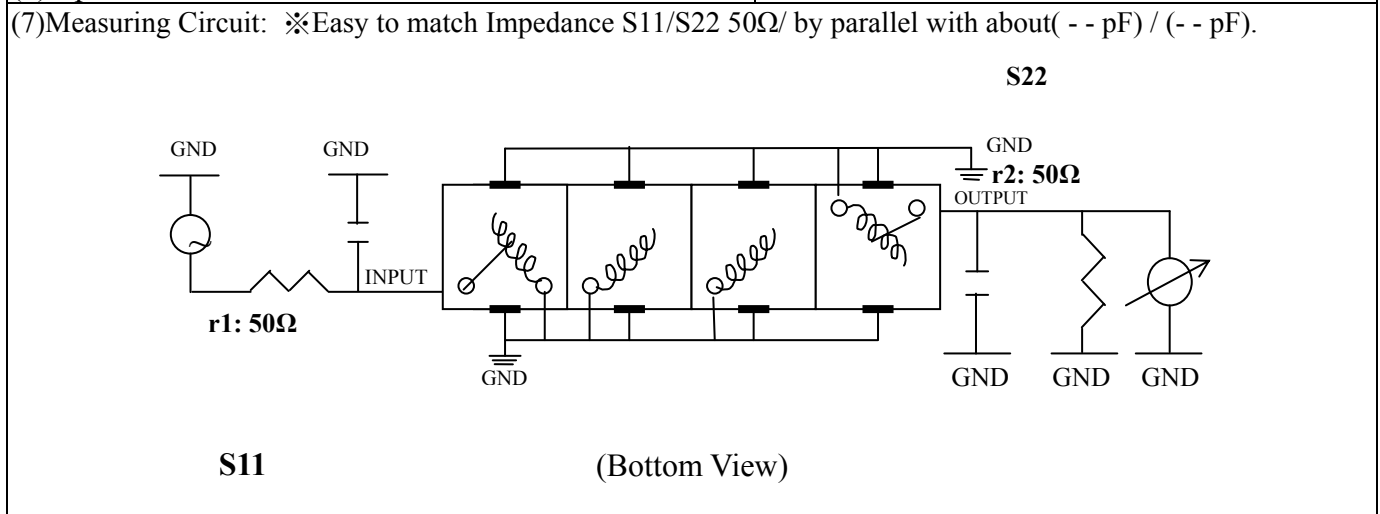


VHF UHF Helical Filter Specification Sheet

Customer Name		Temwell's Part No.	TF64429B-569M
Approval No. /dated	201106078CD	Temwell's Print Name.	64429B 569M
Work Instruction No.	201106078CD	Date	Jun.21.2011



(3) Electric Characteristic					
Item		Specify		Performance	
Center Freq.(Fo) +/- 0.5 %		569 MHz		569 MHz	
Insertion Loss		Typ. 11 dB		10.10 dB	
-3 dB Bandwidth		Typ. 6 MHz		6.6 MHz	
Sensitivity (Attenuation)	Fo - 10 MHz	Typ. 37 dB		40 dB	
	Fo + 10 MHz	Typ. 31 dB		34 dB	
	Fo - ()MHz	Typ. dBc		dBc	
	Fo + ()MHz	Typ. dBc		dBc	
Return Loss		Min. 12 dB		25.6 dB	
Ripple		< 1 dB		dB	
Impedance		In / Out : 50 Ω		In / Out : 50 Ω	
(4) Torque for Tuning Screw		> 60gf · cm			
(5) Temperature Condition:					
Operating Temperature		0°C ~ +60°C			
Storage Temperature		-20°C ~ +70°C			
(6) Input Power		> 1 Watt			



Approval	Supervisor	Designer	Aperture size
C.Y.Chang	C.K.Chang	C.S.Chang	7H4S(4*4.65)(4.72) 7H046RB4.3 聚 3
TEMWELL CORPORATION			

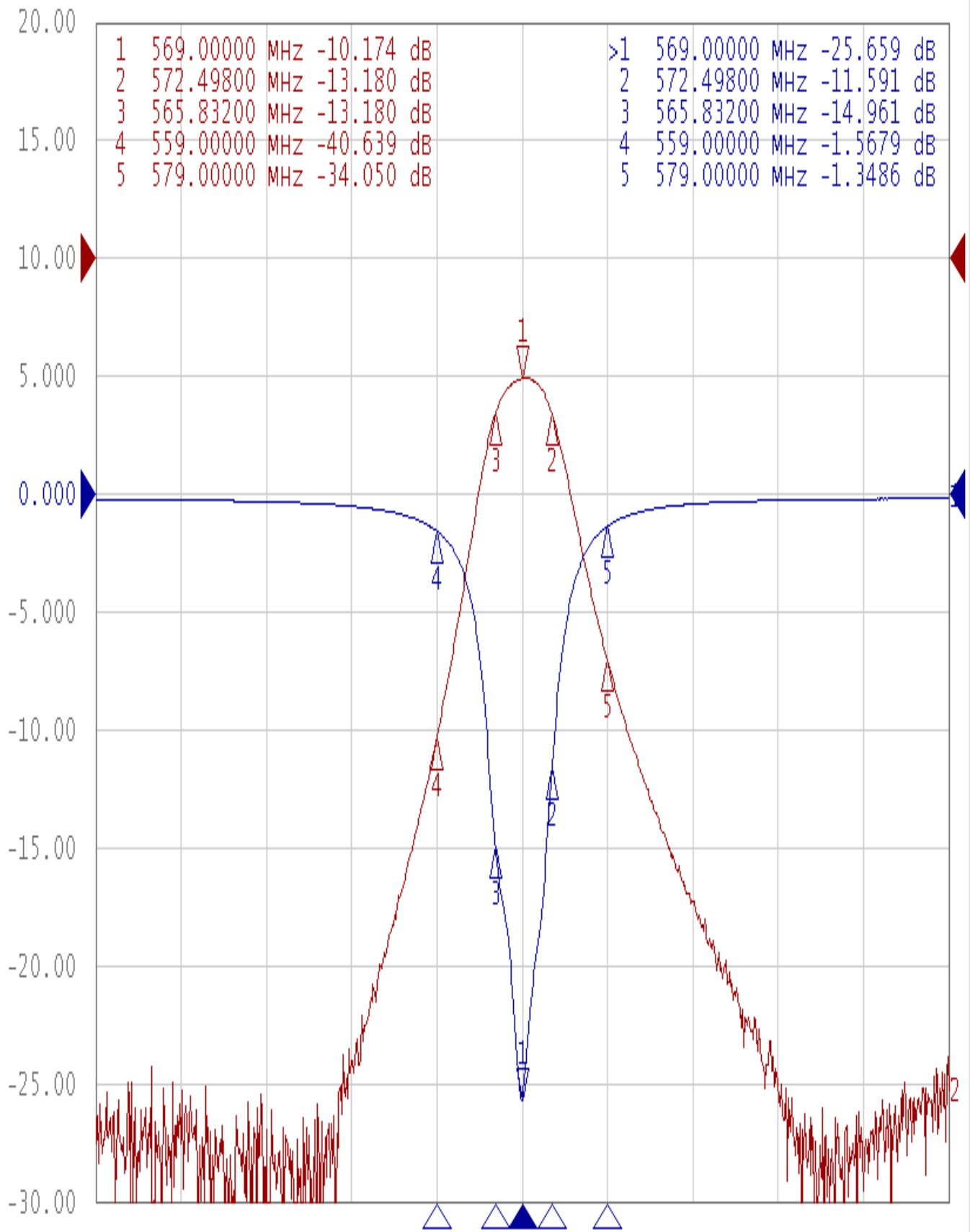
TEMWELL

RP(C.S.C)

Performance-TF64429B-569M

201106078CD

▶ Tr1 S11 Log Mag 5.000dB/ Ref 0.000dB [F2]
Tr2 S21 Log Mag 10.00dB/ Ref 0.000dB [F2]



1 Center 569 MHz

IFBW 10 kHz

Span 100 MHz Cor !