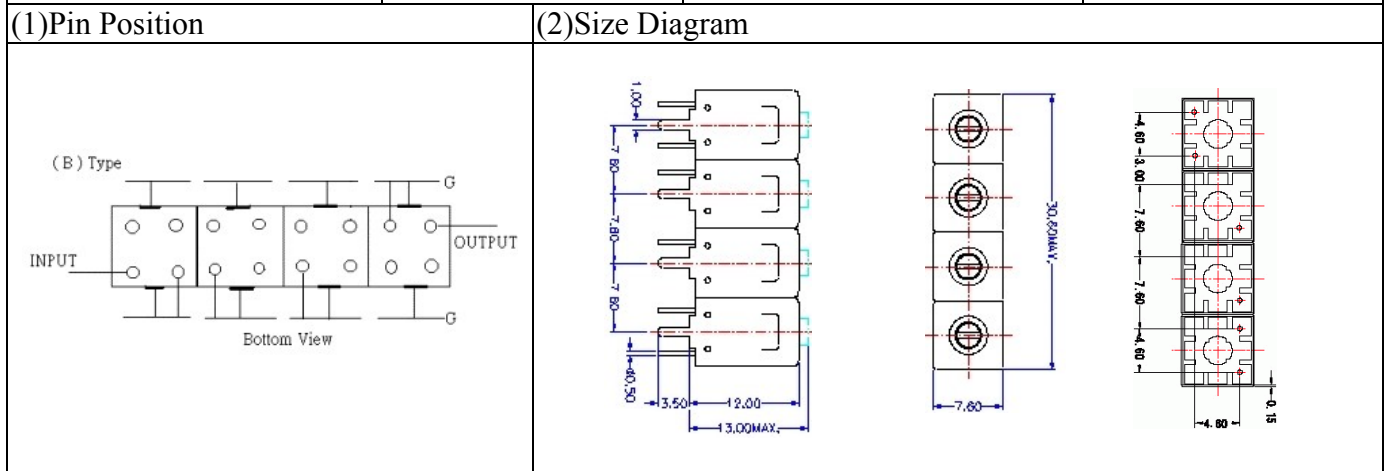


# VHF UHF Helical Filter Specification Sheet

|                      |             |                       |                |
|----------------------|-------------|-----------------------|----------------|
| Customer Name        |             | Temwell's Part No.    | TF64426B-533M  |
| Approval No. /dated  | 201106075CD | Temwell's Print Name. | 64426B<br>533M |
| Work Instruction No. | 201106075CD | Date                  | Jun.15.2011    |



### (3) Electric Charasteric

| Item                          | Specify         | Performance     |       |
|-------------------------------|-----------------|-----------------|-------|
| Center Freq.(Fo ) +/- 0.5 %   | 533 MHz         | 533 MHz         |       |
| Insertion Loss                | Typ. 11 dB      | 10.12 dB        |       |
| -3 dB Bandwidth               | Typ. 6 MHz      | 6.4 MHz         |       |
| Sensitivity<br>(Attenuation ) | Fo - 10 MHz     | Typ. 39 dB      | 42 dB |
|                               | Fo + 10 MHz     | Typ. 31 dB      | 34 dB |
|                               | Fo - ( )MHz     | Typ. dBc        | dBc   |
|                               | Fo +( )MHz      | Typ. dBc        | dBc   |
| Return Loss                   | Min. 12 dB      | 23.0 dB         |       |
| Ripple                        | < 1 dB          | dB              |       |
| Impedance                     | In / Out : 50 Ω | In / Out : 50 Ω |       |

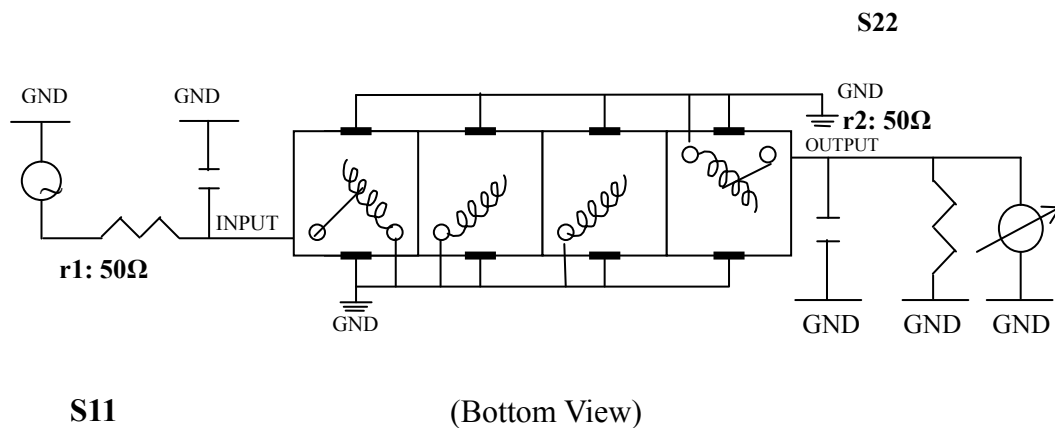
(4) Torque for Tuning Screw > 60gf · cm

### (5) Temperature Condition:

|                       |               |
|-----------------------|---------------|
| Operating Temperature | 0°C ~ +60°C   |
| Storage Temperature   | -20°C ~ +70°C |

(6) Input Power > 1Watt

(7) Measuring Circuit: ※Easy to match Impedance S11/S22 50Ω/ by parallel with about( - - pF) / ( - - pF).



|           |            |           |                                      |
|-----------|------------|-----------|--------------------------------------|
| Approval  | Supervisor | Designer  | Aperture size                        |
| C.Y.Chang | C.K.Chang  | C.S.Chang | 7H4S(4*4.65)(4.70)<br>7H046RB4.3 聚 3 |

TEMWELL CORPORATION

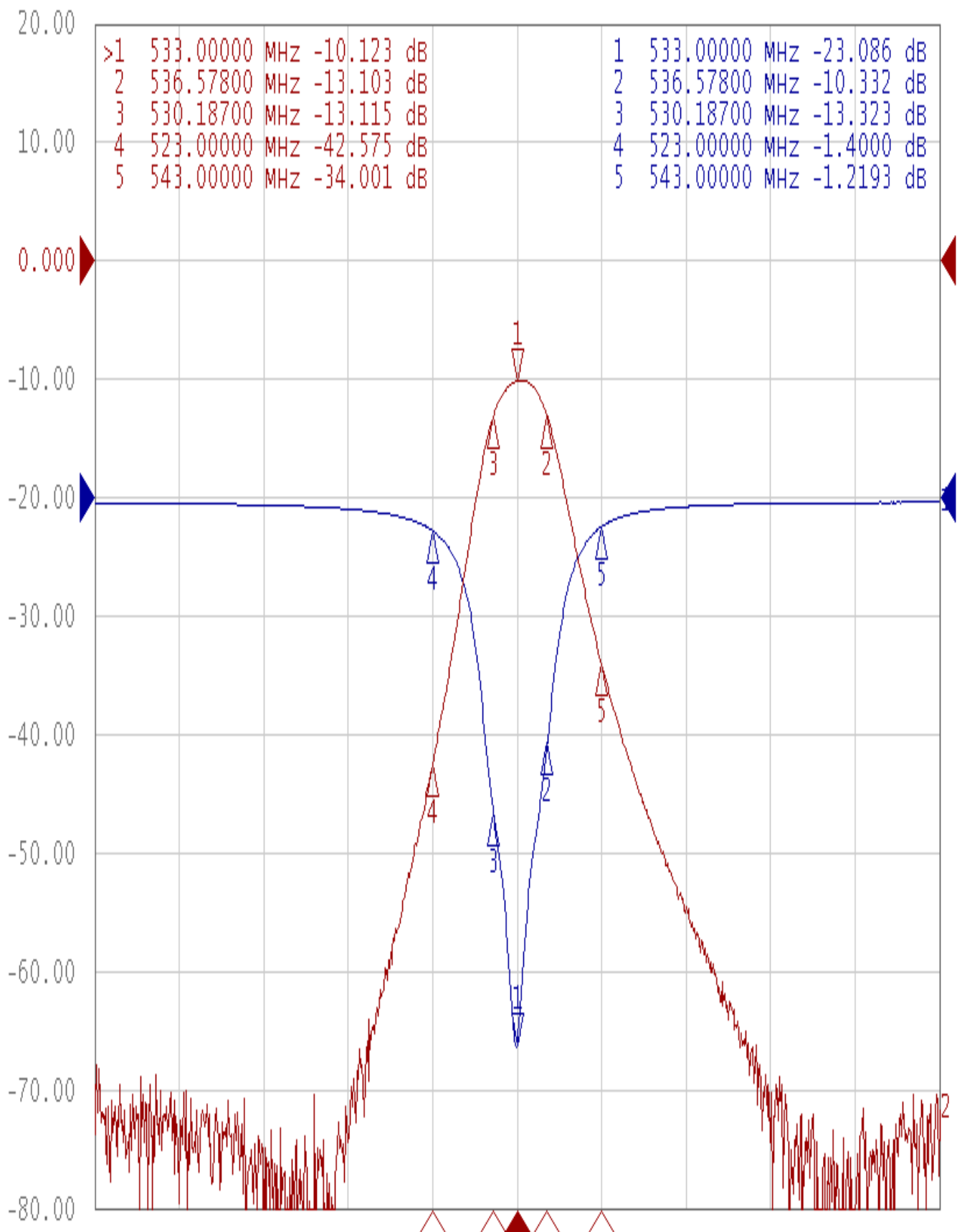
TEMWELL

RP(C.S.C)

# Performance-TF64426B-533M

## 201106075CD

Tr1 S11 Log Mag 5.000dB/ Ref 0.000dB [F2]  
▶ Tr2 S21 Log Mag 10.00dB/ Ref 0.000dB [F2]



1 Center 533 MHz      IFBW 10 kHz      Span 100 MHz      Cor !