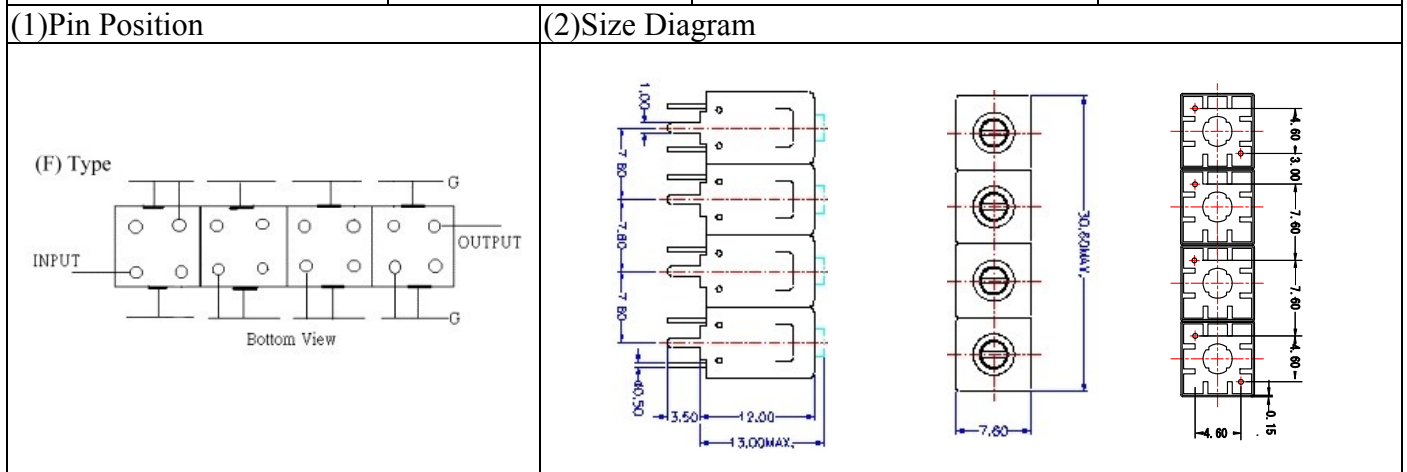
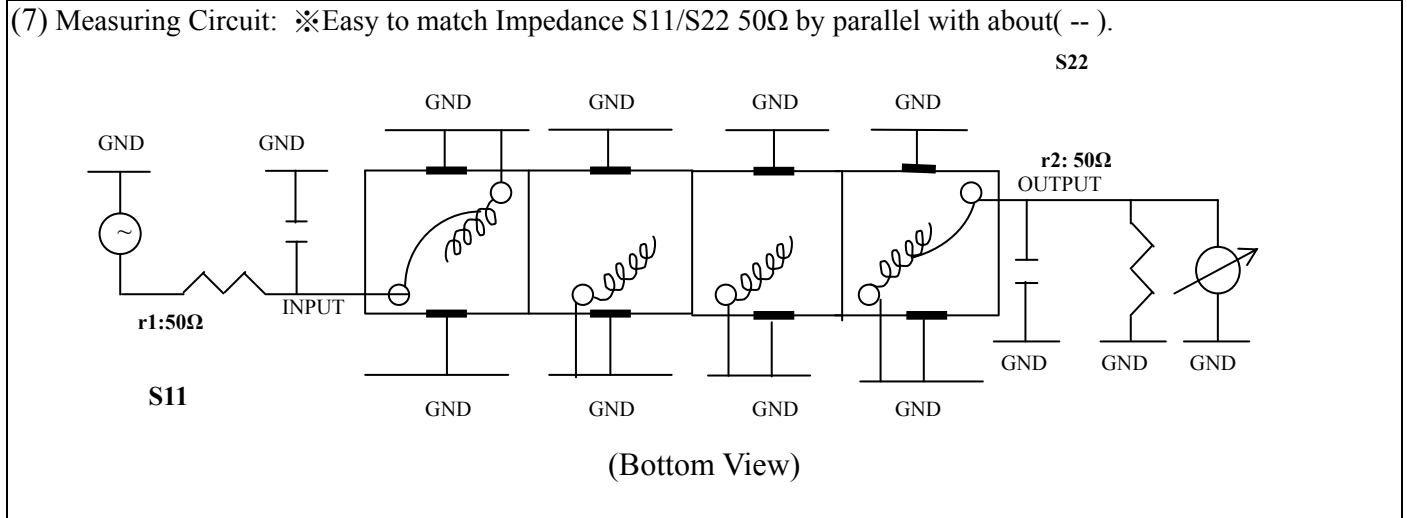


VHF UHF Helical Filter Specification Sheet

Customer Name		Temwell's Part No.	TF64391F-450M
Approval No. /dated	201703036CD	Temwell's Print name	64391F 450M
Work Instruction No.	201703036CD	Date	Mar.13.2017



(3) Electric Characteristic			
Item		Specify	Performance
Center Freq.(Fo) +/- 0.5 %		450 MHz	450 MHz
Insertion Loss		Typ. 1.5 dB	0.75 dB
-3 dB Bandwidth		Typ. 95 MHz	100.9 MHz
Sensitivity (Attenuation)	Fo - (150) MHz	Typ. 55 dBc	61 dBc
	Fo + (150) MHz	Typ. 35 dBc	41 dBc
	Fo - () MHz	Typ. dBc	dBc
	Fo + () MHz	Typ. dBc	dBc
Return Loss		Min. 12 dB	32.8 dB
Ripple		< 1 dB	dB
Impedance		In / Out : 50 Ω	In / Out : 50 Ω
(4) Torque for Tuning Screw		> 60gf · cm	
(5) Temperature Condition:			
Operating Temperature		0°C ~ +60°C	
Storage Temperature		-20°C ~ +70°C	
(6) Input Power		> 1Watt	



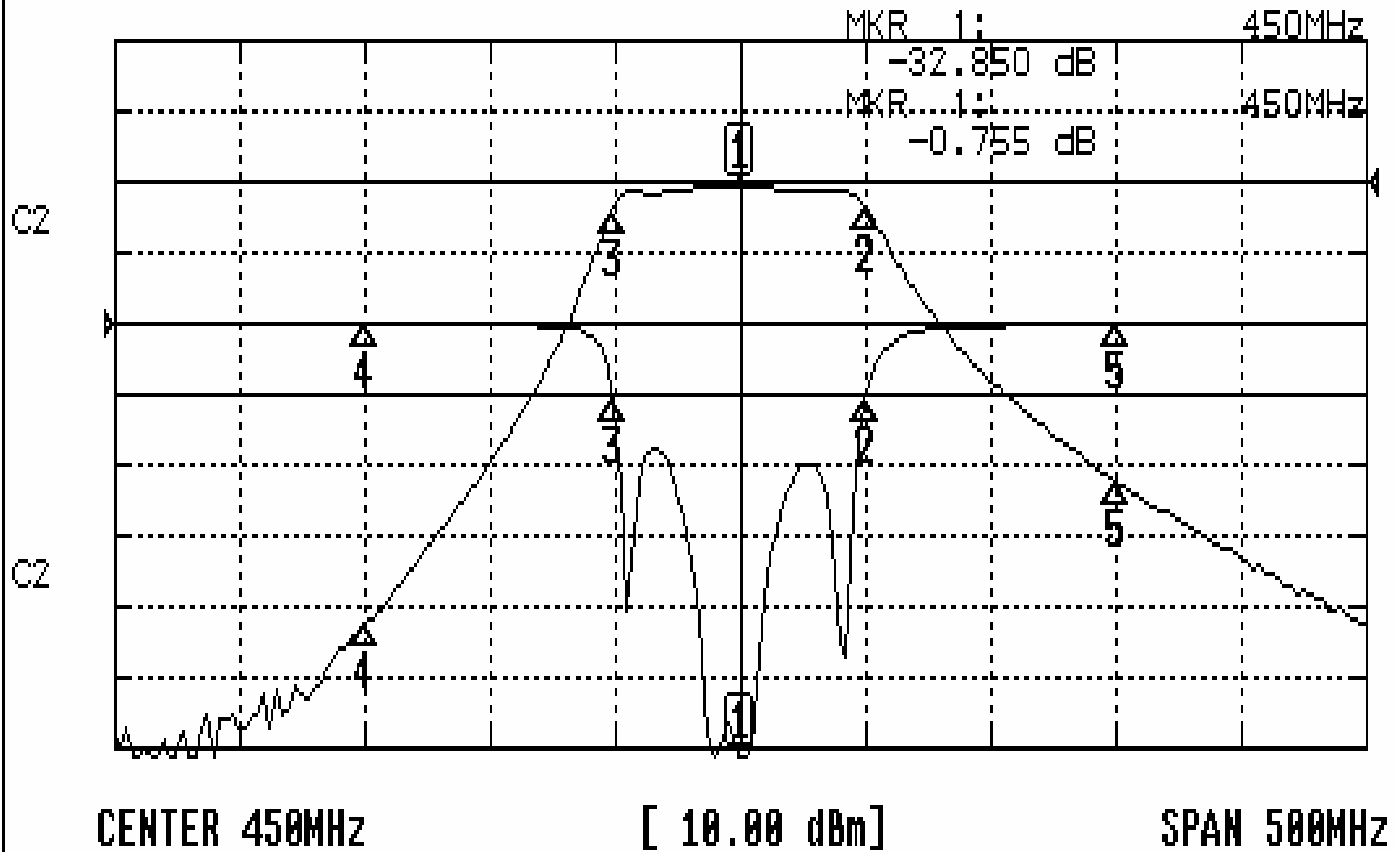
Approval	Supervisor	Designer	Aperture size
C.Y.Chang	C.K.Chang	C.H.Yeh	7H4S(4*6.5)(6.56) 7H046RB6.5

TEMWELL CORPORATION

Performance-TF64391F-450M

201703036CD

CH1 S11 LOG MAG REF 0.000 dB 5.000 dB/
CH2 S21 LOG MAG REF 0.000 dB 10.000 dB/



CH1 MARKER LIST

Marker	Frequency (MHz)	Magnitude (dB)
1	450.000	-32.850
2	500.390	-1.186
3	399.415	-1.232
4	300.000	-0.036
5	600.000	-0.068

CH2 MARKER LIST

Marker	Frequency (MHz)	Magnitude (dB)
1	450.000	-0.755
2	500.390	-3.711
3	399.415	-3.786
4	300.000	-62.451
5	600.000	-42.228