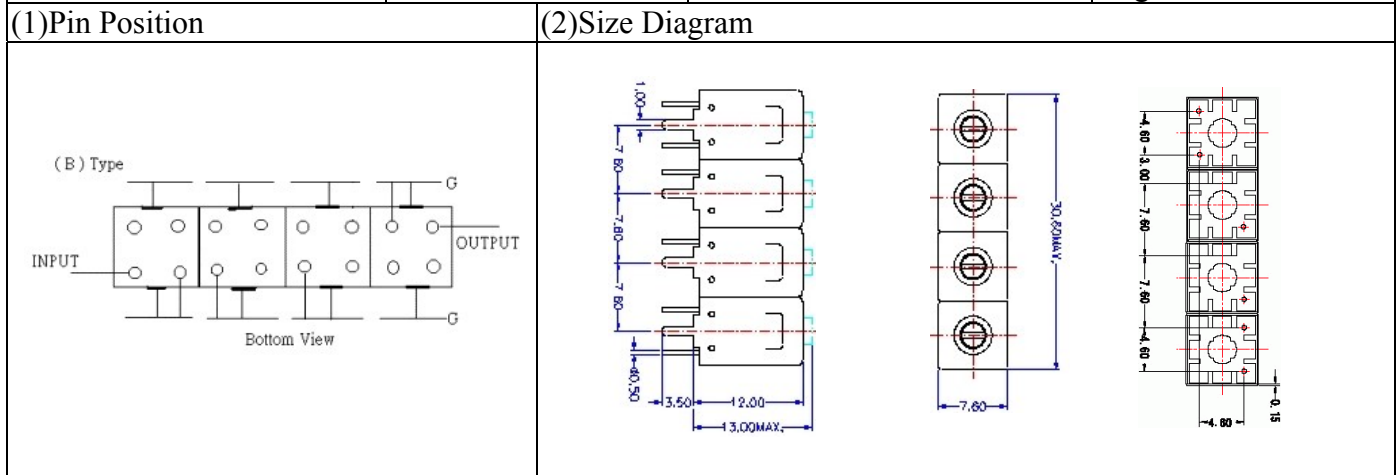
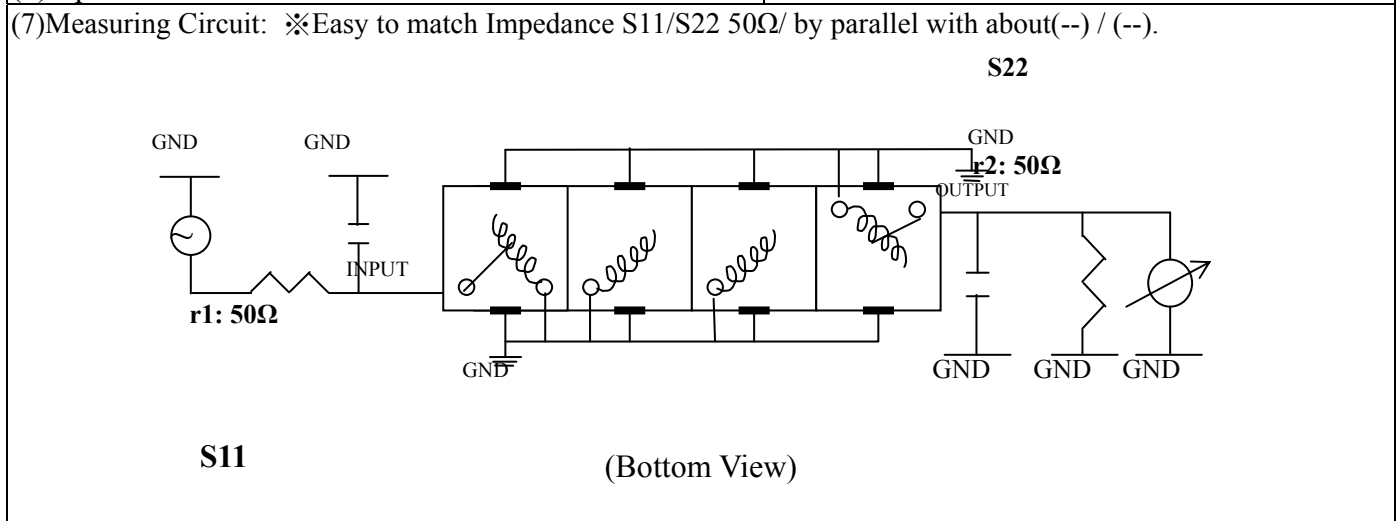


VHF UHF Helical Filter Specification Sheet

Customer Name		Temwell's Part No.	TF64389B-74.5M
Approval No. /dated	201008007CD	Temwell's Print Name	64389B 74.5M
Work Instruction No.	201008007CD	Date	Aug.03.2010



(3) Electric Characteristic			
Item	Specify		Performance
Center Freq.(Fo) +/- 0.5 %	74.5	MHz	74.5 MHz
Insertion Loss	Typ. 2.5	dB	1.80 dB
-3 dB Bandwidth	Typ. 20	MHz	22.4 MHz
Sensitivity (Attenuation)	Fo - 50 MHz	Typ. 60 dBc	63 dBc
	Fo + 50 MHz	Typ. 55 dBc	59 dBc
	Fo - ()MHz	Typ. dBc	dBc
	Fo + ()MHz	Typ. dBc	dBc
Return Loss	Min. 12	dB	15.1 dB
Ripple	< 1	dB	dB
Impedance	In / Out : 50 Ω		In / Out : 50 Ω
(4) Torque for Tuning Screw			
> 60gf · cm			
(5) Temperature Condition:			
Operating Temperature	0°C ~ +60°C		
Storage Temperature	-20°C ~ +70°C		
(6) Input Power			
> 1Watt			



Approval	Supervisor	Designer	Aperture size
C.Y.Chang	C.K.Chang	P.H.Chiang	7H4(4*7.5)(7.55) 7H00LB6.5

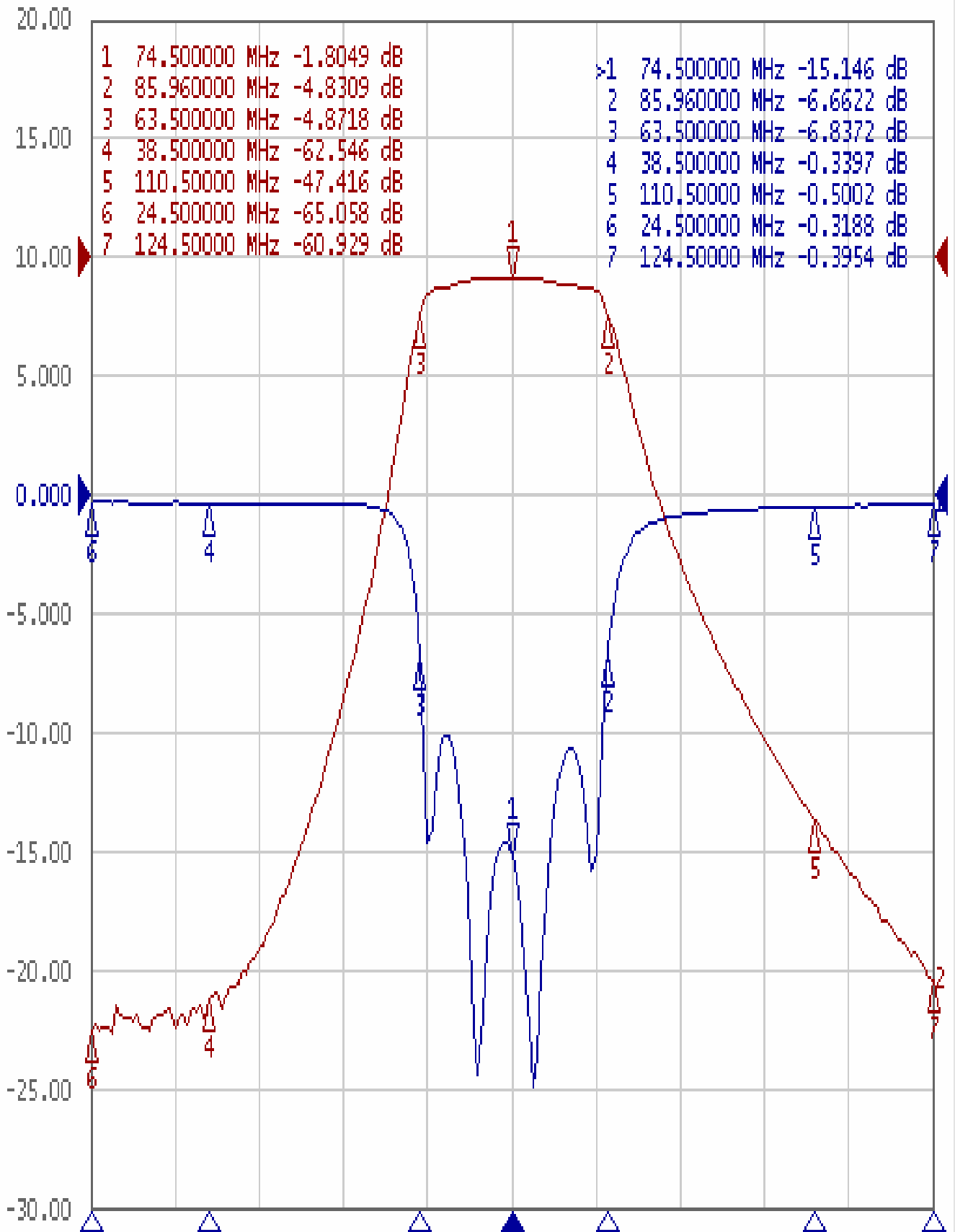
TEMWELL CORPORATION

Performance-TF64389B-74.5M

201008007CD

Tr1 S11 Log Mag 5.000dB/ Ref 0.000dB [F2]

Tr2 S21 Log Mag 10.00dB/ Ref 0.000dB [F2]



1 Center 74.5 MHz

IFBW 70 kHz

Span 100 MHz Cor