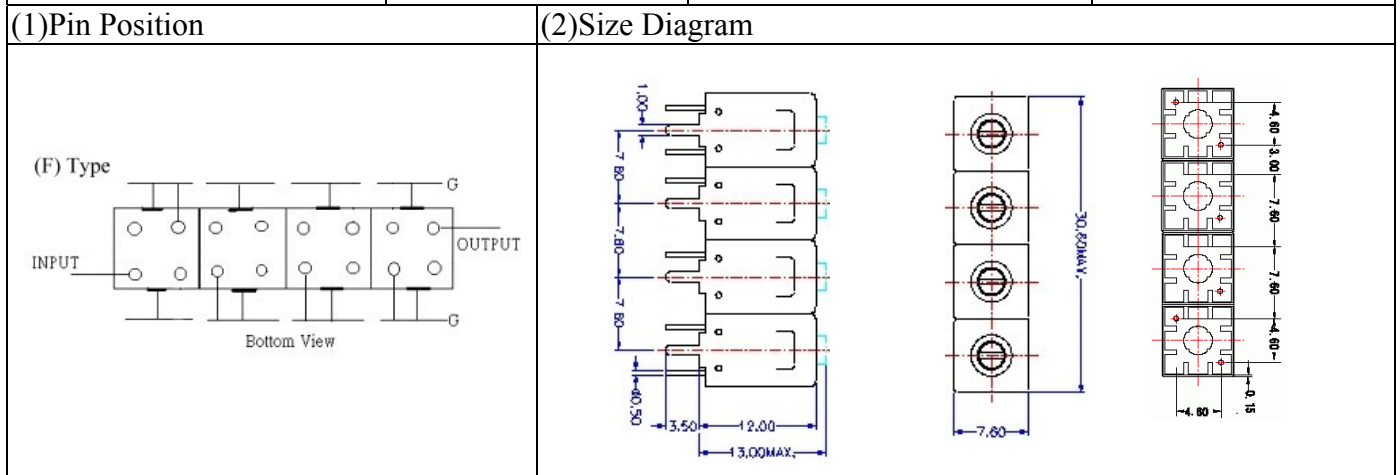


VHF UHF Helical Filter Specification Sheet

Customer Name		Temwell's Part No.	TF64387F-900M
Approval No. /dated	201006081CD	Temwell's Print name	64387F 900M
Work Instruction No.	201006081CD	Date	Jul.02.2010



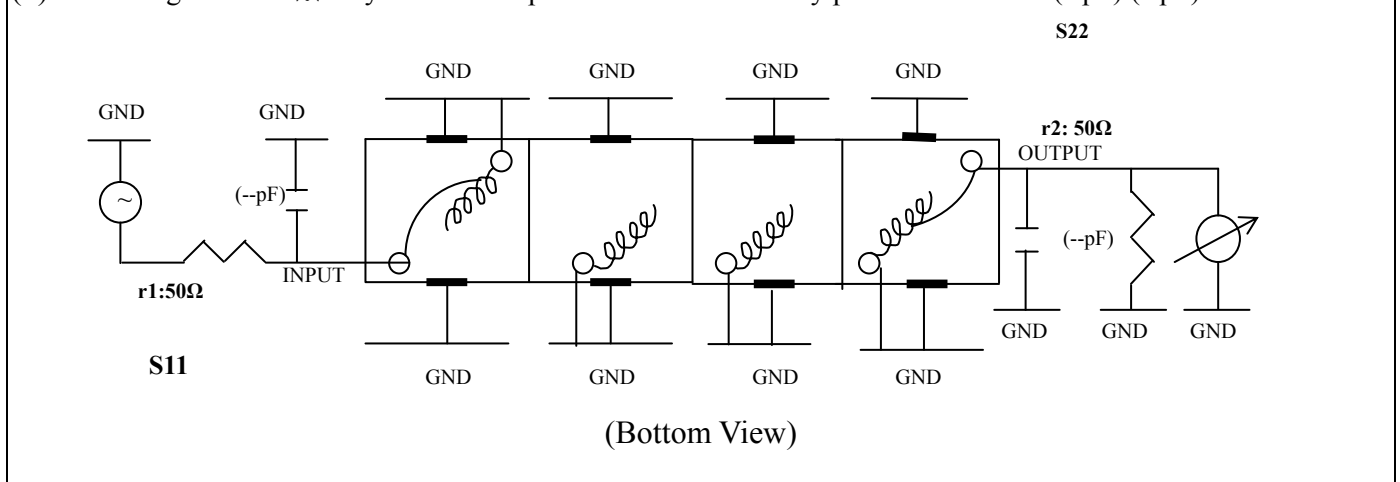
(3) Electric Characteristic

Item	Specify	Performance
Center Freq.(Fo) +/- 0.5 %	900 MHz	900 MHz
Insertion Loss	Typ. 2.0 dB	1.04 dB
-3 dB Bandwidth	Typ. 130 MHz	143.4 MHz
Sensitivity (Attenuation)	Fo - (200) MHz	Typ. 50 dBc
	Fo + (200) MHz	Typ. 37 dBc
	Fo - () MHz	Typ. dBc
	Fo + () MHz	Typ. dBc
Return Loss	Min. 12 dB	22.8 dB
Ripple	< 1 dB	dB
Impedance	In / Out : 50 Ω	In / Out : 50 Ω
(4) Torque for Tuning Screw	> 60gf · cm	

(5) Temperature Condition:

Operating Temperature	0°C ~ +60°C
Storage Temperature	-20°C ~ +70°C
(6) Input Power	> 1Watt

(7) Measuring Circuit: ※Easy to match Impedance S11/S22 50Ω by parallel with about(--pF) (--pF).



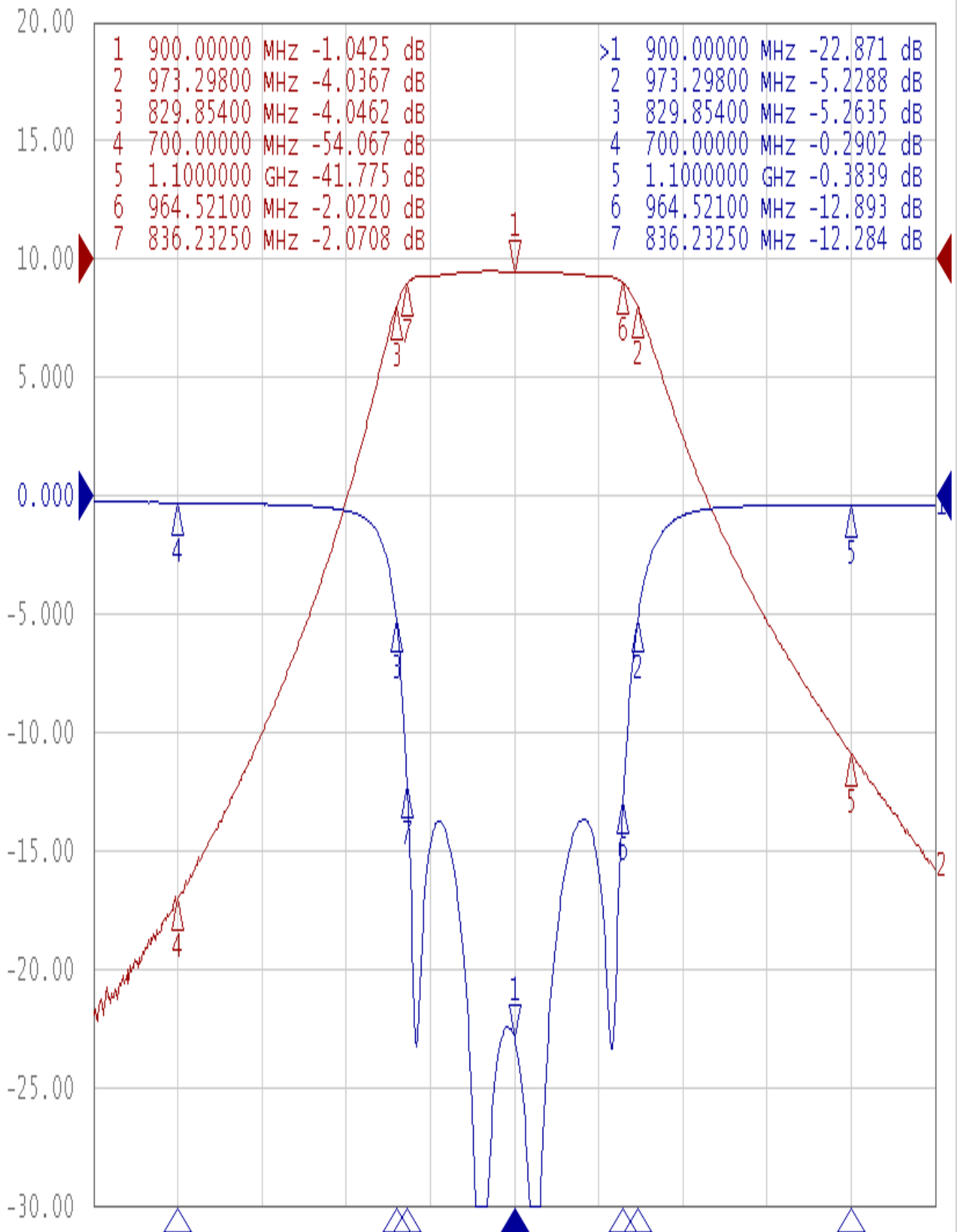
Approval	Supervisor	Designer	Aperture size
C.Y.Chang	C.K.Chang	C.S.Chang	7H4S(4*8.0)(7.98) 7H046RB6.5

TEMWELL CORPORATION

Performance-TF64387F-900M

201006081CD

▶ Tr1 S11 Log Mag 5.000dB/ Ref 0.000dB [F2]
Tr2 S21 Log Mag 10.00dB/ Ref 0.000dB [F2]



1 Center 900 MHz

IFBW 10 kHz

Span 500 MHz Cor |