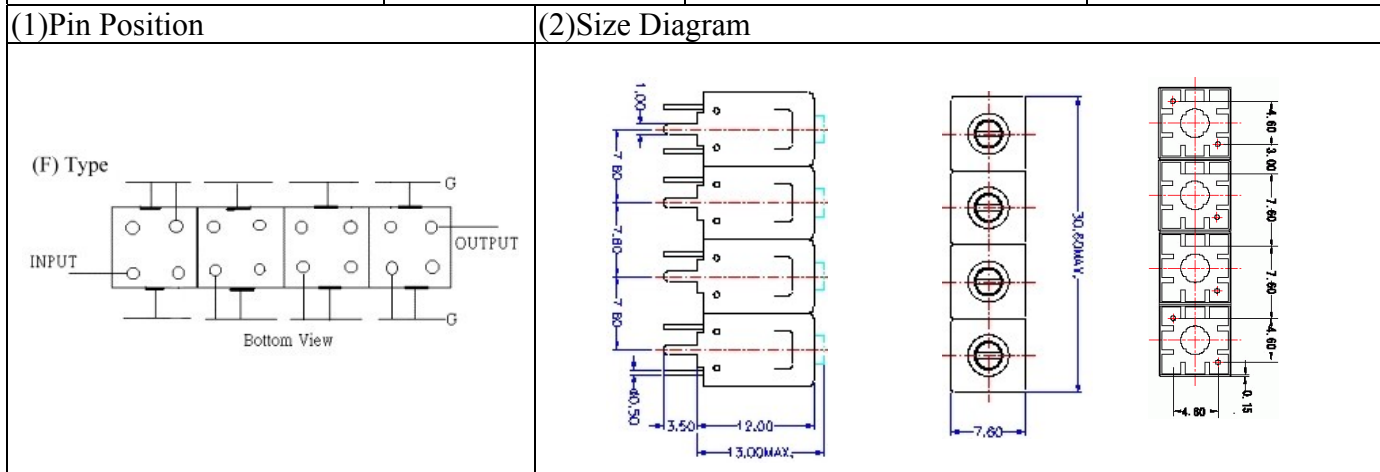


VHF UHF Helical Filter Specification Sheet

Customer Name		Temwell's Part No.	TF64386F-850M
Approval No. /dated	201006059CD	Temwell's Print name	64386F 850M
Work Instruction No.	201006059CD	Date	Jun.29.2010



(3) Electric Characteristic

Item	Specify	Performance
Center Freq.(Fo) +/- 0.5 %	850 MHz	850 MHz
Insertion Loss	Typ. 2.0 dB	0.99 dB
-3 dB Bandwidth	Typ. 120 MHz	136.4 MHz
Sensitivity (Attenuation)	Fo - (200) MHz	Typ. 50 dBc
	Fo + (200) MHz	Typ. 38 dBc
	Fo - () MHz	Typ. dBc
	Fo + () MHz	Typ. dBc
Return Loss	Min. 12 dB	19.7 dB
Ripple	< 1 dB	dB
Impedance	In / Out : 50 Ω	In / Out : 50 Ω

(4) Torque for Tuning Screw

> 60gf · cm

(5) Temperature Condition:

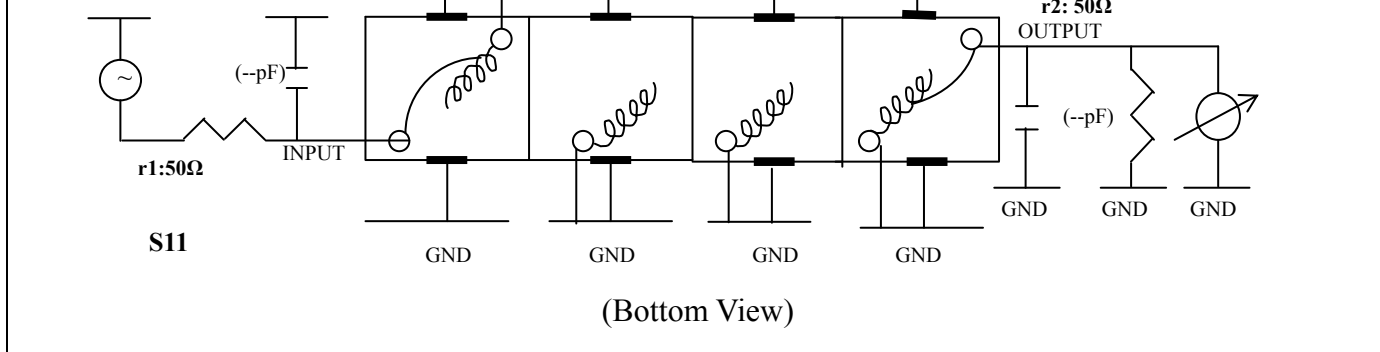
Operating Temperature 0°C ~ +60°C

Storage Temperature -20°C ~ +70°C

(6) Input Power

> 1Watt

(7) Measuring Circuit: ※Easy to match Impedance S11/S22 50Ω by parallel with about(--pF) (--pF).



Approval	Supervisor	Designer	Aperture size
C.Y.Chang	C.K.Chang	C.S.Chang	7H4S(4*7.5)(7.62) 7H046RB6.5

TEMWELL CORPORATION

Performance-TF64386F-850M

201006059CD

