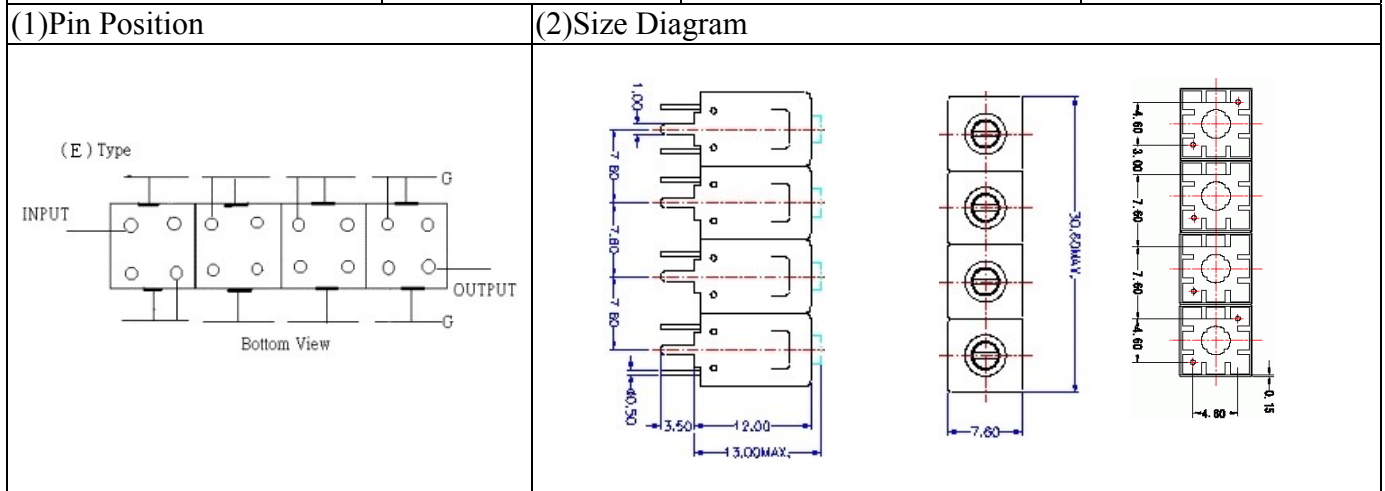


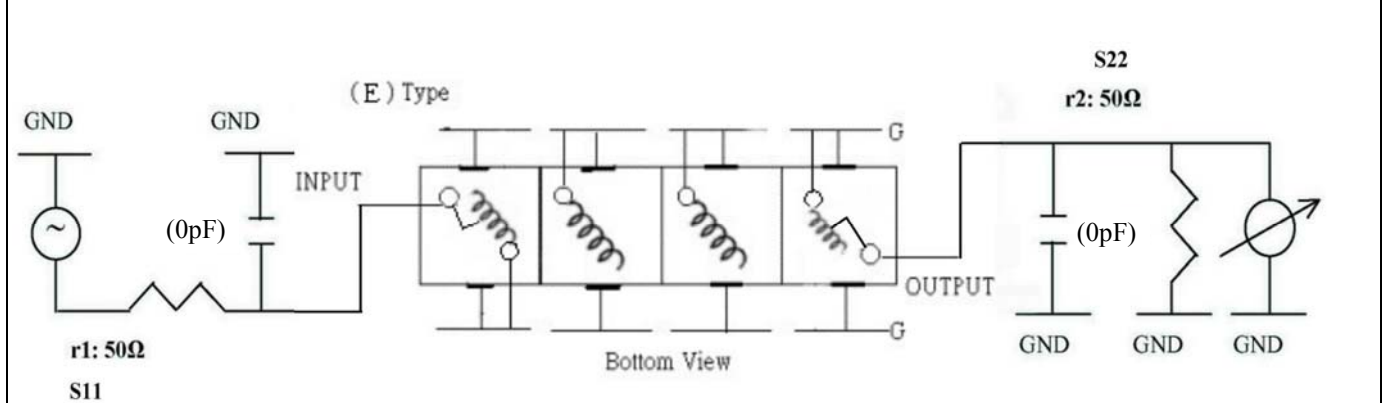
VHF UHF Helical Filter Specification Sheet

Customer Name		Temwell's Part No.	TF64375E-440M
Approval No. /dated	1002104CD	Temwell's Print name	64375E 440M
Work Instruction No.	201002104CD	Date	Feb.12.2010



(3) Electric Characteristic			
Item		Specify	Performance
Center Freq.(Fo) +/- 0.5 %		440 MHz	440 MHz
Insertion Loss		Typ. 4.0 dB	3.10 dB
-3 dB Bandwidth		Typ. 10 MHz	12.9 MHz
Sensitivity (Attenuation)	Fo - 20 MHz	Typ. 35 dB	45 dB
	Fo + 20 MHz	Typ. 35 dB	38 dB
	Fo - ()MHz	Typ. dBc	dB
	Fo + ()MHz	Typ. dBc	dB
Return Loss		Min. 12 dB	21.7 dB
Ripple		< 1 dB	dB
Impedance		In / Out : 50 Ω	In / Out : 50 Ω
(4) Torque for Tuning Screw		> 60gf · cm	
(5) Temperature Condition:			
Operating Temperature		0°C ~ +60°C	
Storage Temperature		-20°C ~ +70°C	
(6) Input Power		> 1Watt	

(7) Measuring Circuit: ※Easy to match Impedance S11/S22 50Ω by parallel with about(0pF) / (0pF)



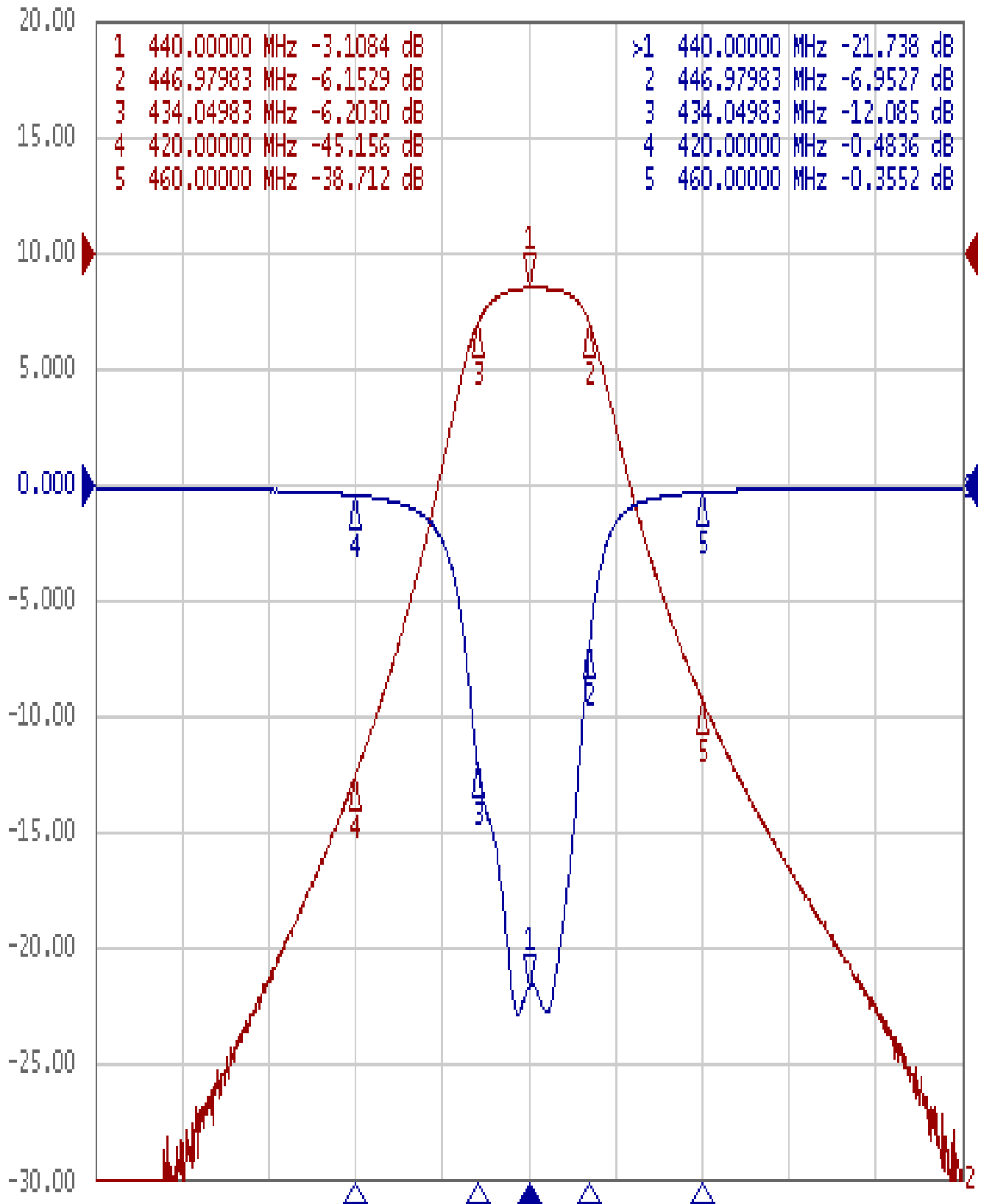
Approval	Supervisor	Designer	Aperture size
C.Y.Chang	C.K.Chang	C.S.Chang	7H4S(4*5.5F)(5.57) 7H046LB4.3 聚 3
TEMWELL CORPORATION			

Performance-TF64375E-440M

201002104CD

▶ Tr1 S11 Log Mag 5.000dB/ Ref 0.000dB [F2]

Tr2 S21 Log Mag 10.00dB/ Ref 0.000dB [F2]



1 Center 440 MHz

IFBW 10 kHz

Span 100 MHz Cor !