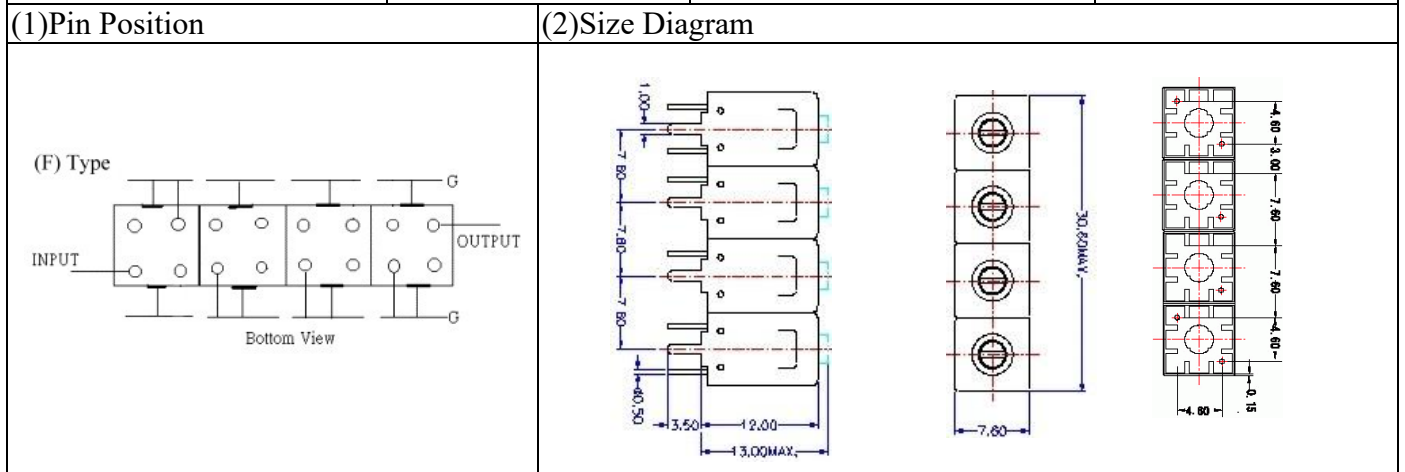


VHF UHF Helical Filter Specification Sheet

Customer Name		Temwell's Part No.	TF64371F-859M
Approval No. /dated	1003001CD	Temwell's Print name	64371F 859M
Work Instruction No.	201003001CD	Date	Mar.08.2010



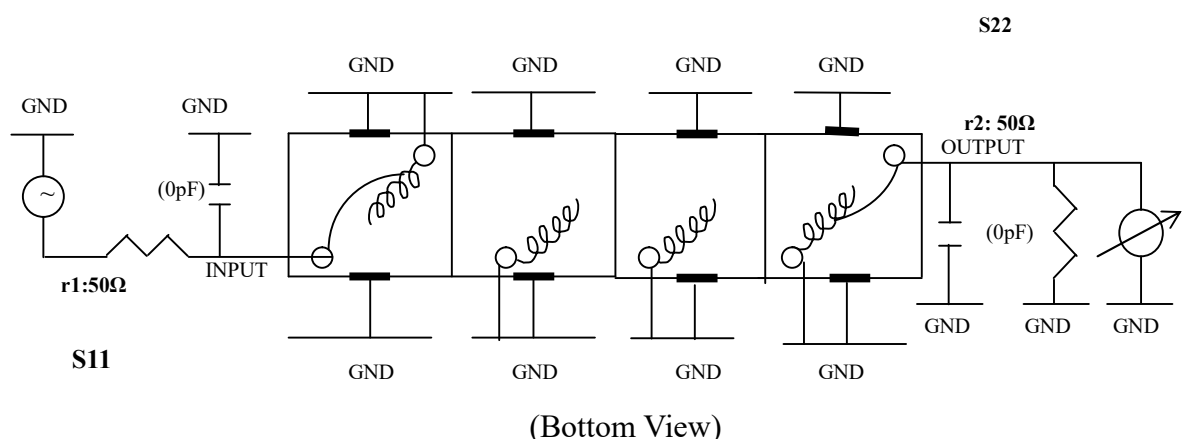
Item		Specify		Performance	
Center Freq.(Fo) +/- 0.5 %		859	MHz	859	MHz
Insertion Loss		Typ. 3.0	dB	1.66	dB
-3 dB Bandwidth		Typ. 70	MHz	78.1	MHz
Sensitivity (Attenuation)	Fo - (100) MHz	Typ. 37	dBc	40	dBc
	Fo + (100) MHz	Typ. 32	dBc	35	dBc
	Fo - () MHz	Typ.	dBc		dBc
	Fo + () MHz	Typ.	dBc		dBc
Return Loss		Min. 12	dB	17.0	dB
Ripple		< 1 dB		dB	
Impedance		In / Out : 50 Ω		In / Out : 50 Ω	

(4) Torque for Tuning Screw > 60gf · cm

(5) Temperature Condition:
 Operating Temperature 0°C ~ +60°C
 Storage Temperature -20°C ~ +70°C

(6) Input Power > 1Watt

(7) Measuring Circuit: ※Easy to match Impedance S11/S22 50Ω by parallel with about(0pF) / (0pF).



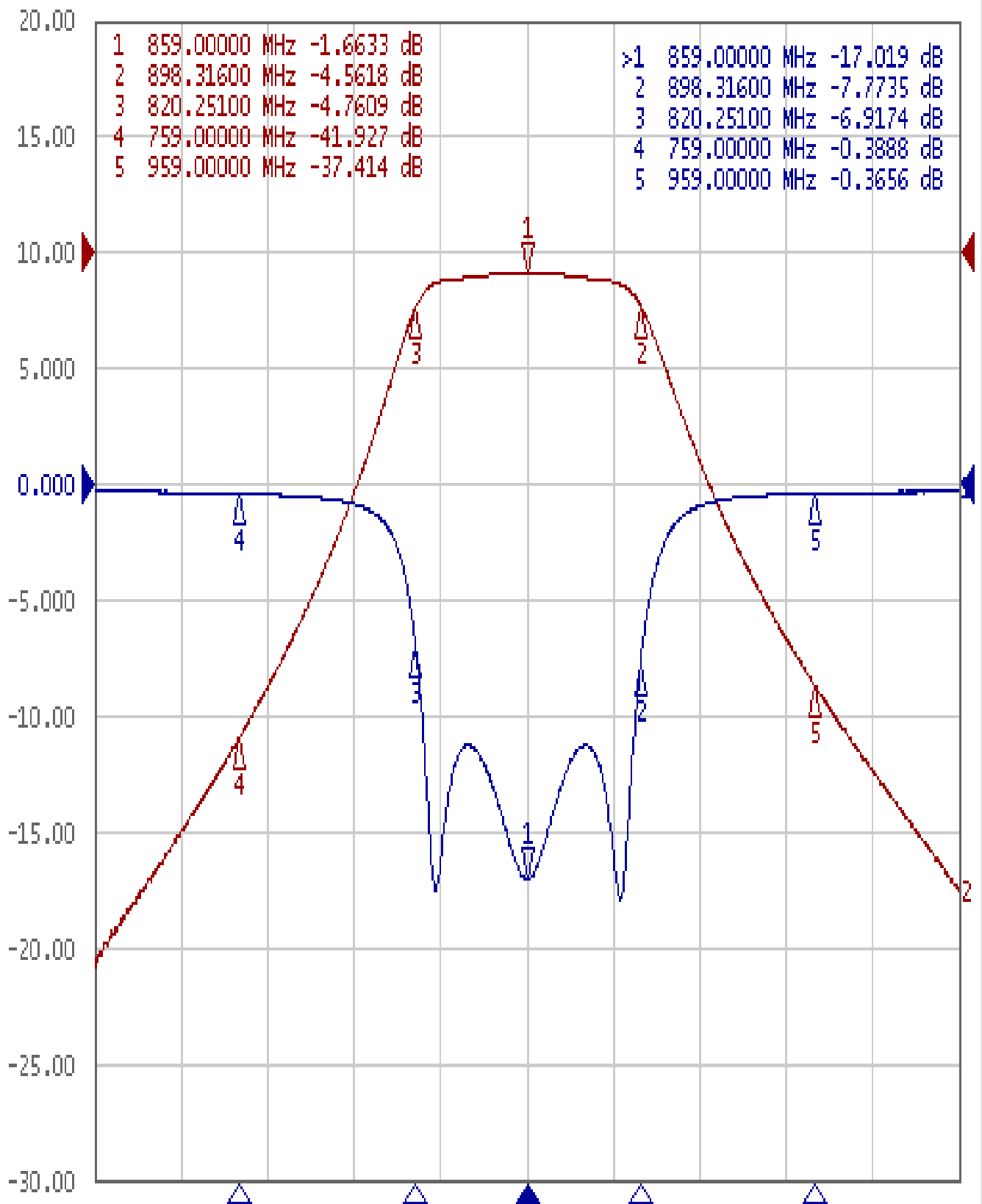
Approval	Supervisor	Designer	Aperture size
C.Y.Chang	C.K.Chang	P.H.Chiang	7H4S(4*6.5)(6.55) 7H046RB5.5

TEMWELL CORPORATION

Performance-TF64371F-859M

201003001CD

▶ Tr1 S11 Log Mag 5.000dB/ Ref 0.000dB [F2]
Tr2 S21 Log Mag 10.00dB/ Ref 0.000dB [F2]



1 Center 859 MHz

IFBW 10 kHz

Span 300 MHz Cor