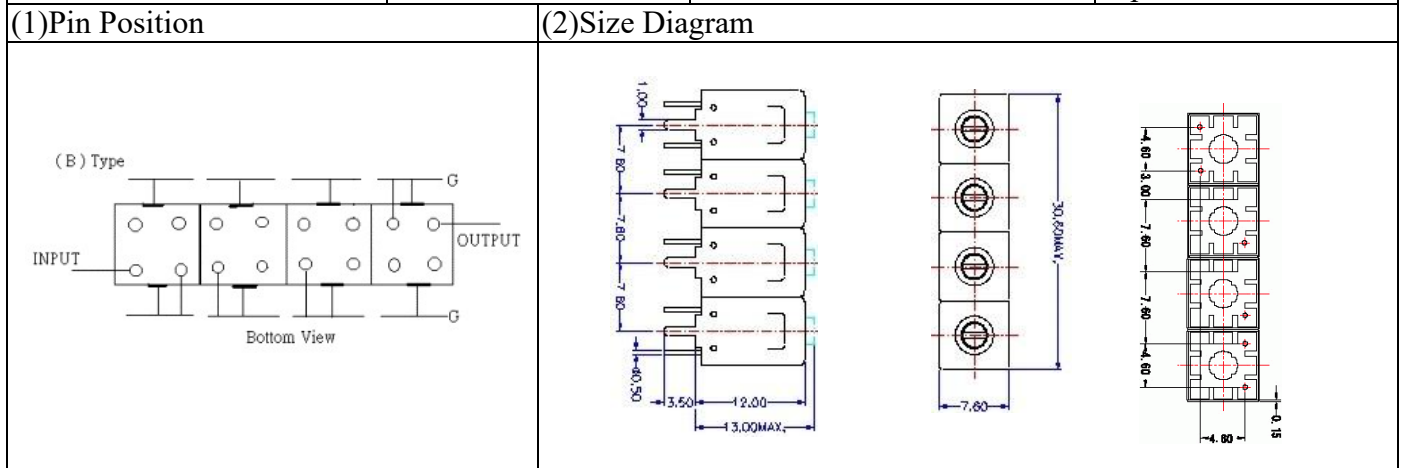


VHF UHF Helical Filter Specification Sheet

Customer Name		Temwell's Part No.	TF64365B-1200M
Approval No. /dated	201206084CD	Temwell's Print Name.	64365B 1200M
Work Instruction No.	201206084CD	Date	Sep.25.2012



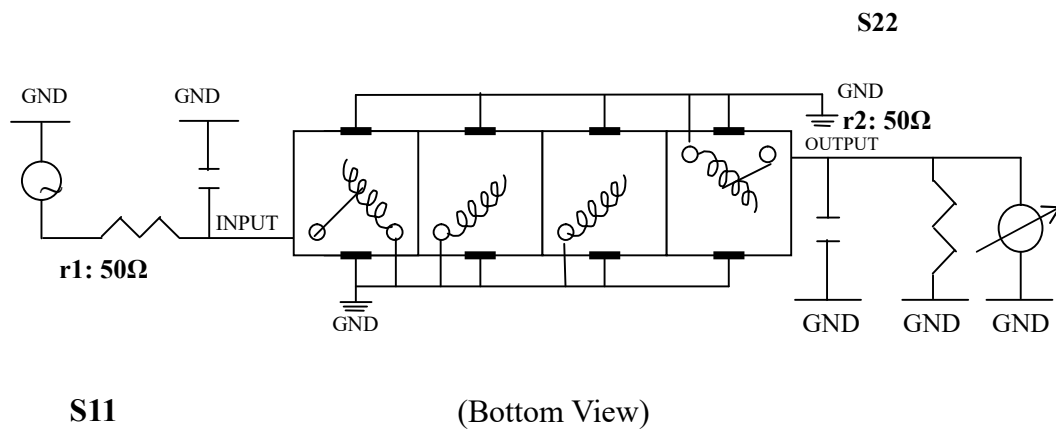
(3) Electric Characteristic		Specify	Performance
Item			
Center Freq.(Fo) +/- 0.5 %		1200 MHz	1200 MHz
Insertion Loss		Typ. 2.5 dB	1.76 dB
-3 dB Bandwidth		Typ. 120 MHz	128.6 MHz
Sensitivity (Attenuation)	Fo - 150 MHz	Typ. 41 dBc	44 dBc
	Fo + 150 MHz	Typ. 24 dBc	27 dBc
	Fo - ()MHz	Typ. dBc	dBc
	Fo +()MHz	Typ. dBc	dBc
Return Loss		Min. 12 dB	52.1 dB
Ripple		< 1 dB	dB
Impedance		In / Out : 50 Ω	In / Out : 50 Ω

(4) Torque for Tuning Screw > 60gf • cm

(5) Temperature Condition:	
Operating Temperature	0°C ~ +60°C
Storage Temperature	-20°C ~ +70°C

(6) Input Power > 1Watt

(7) Measuring Circuit: ※ Easy to match Impedance S11/S22 50Ω/ by parallel with about(--)



Approval	Supervisor	Designer	Aperture size
C.Y.Chang	C.K.Chang	C.S.Chang	7H4S(4*6.5)(6.52) 7H046RB6.5

TEMWELL CORPORATION

TEMWELL

RP:(C.S.C)

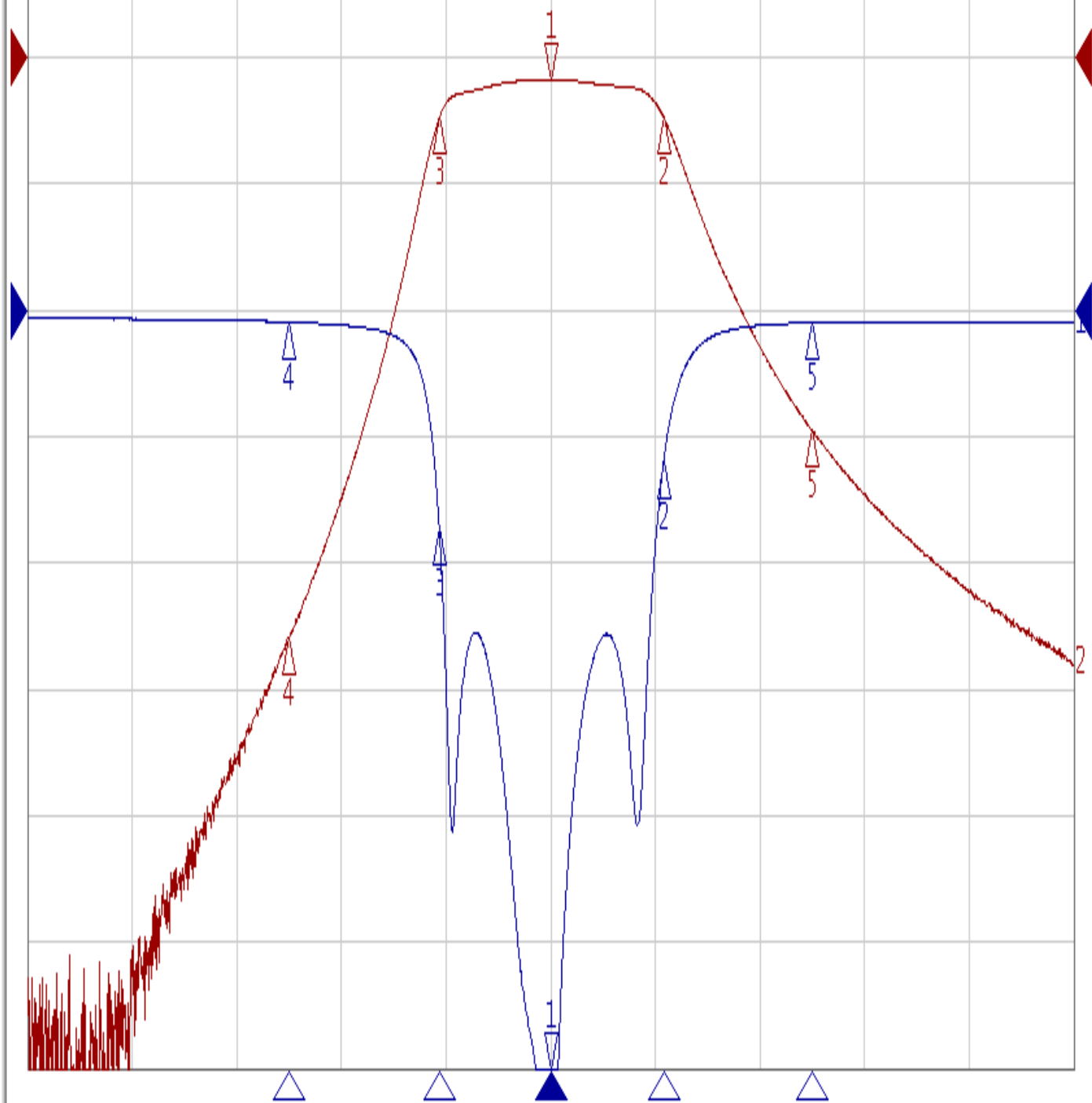
Performance-TF64365B-1200M

201206084CD

Tr1 S11 Log Mag 5.000dB/ Ref 0.000dB [F2]
Tr2 S21 Log Mag 10.00dB/ Ref 0.000dB [F2]

1	1.2000000	GHz	-1.7692	dB
2	1.2647890	GHz	-4.7634	dB
3	1.1361420	GHz	-4.7672	dB
4	1.0500000	GHz	-45.912	dB
5	1.3500000	GHz	-29.529	dB

>1	1.2000000	GHz	-52.174	dB
2	1.2647890	GHz	-5.9691	dB
3	1.1361420	GHz	-8.6013	dB
4	1.0500000	GHz	-0.4627	dB
5	1.3500000	GHz	-0.4953	dB



1 Center 1.2 GHz

IFBW 10 kHz

Span 600 MHz Cor !