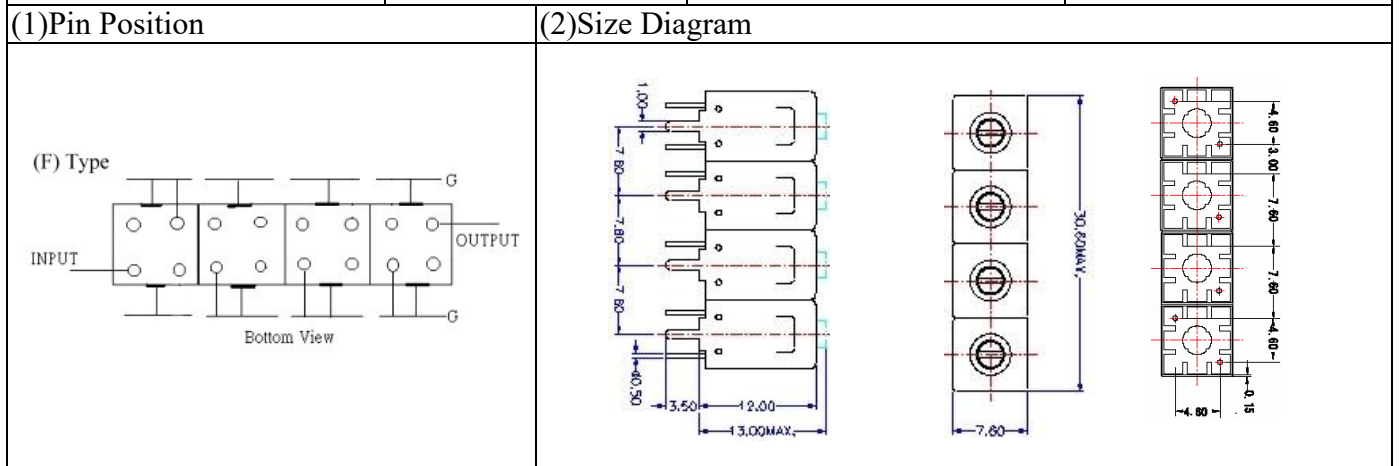


# VHF UHF Helical Filter Specification Sheet

Customer Name		Temwell's Part No.	TF64363F-706M
Approval No. /dated	1001020CD	Temwell's Print name	64363F 706M
Work Instruction No.	201001020CD	Date	Feb.26.2010



### (3) Electric Characteristic

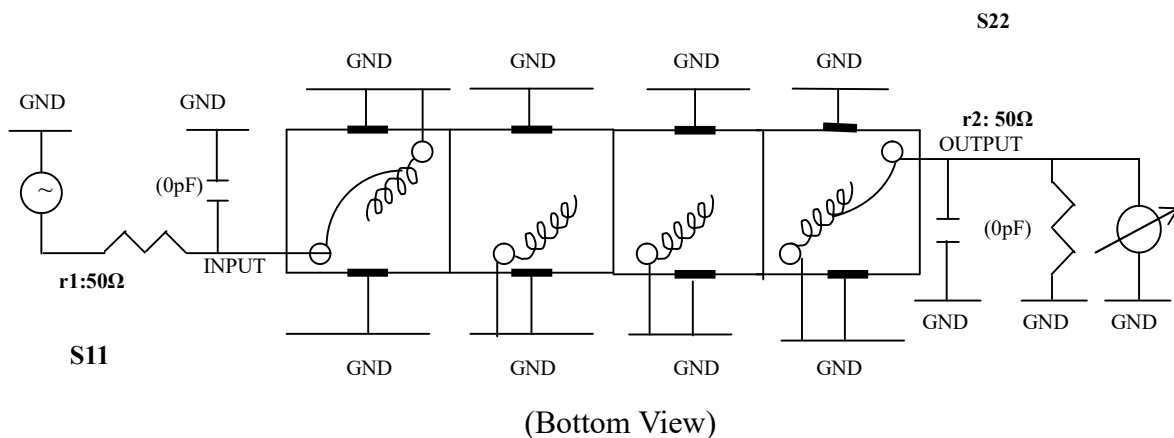
Item	Specify	Performance
Center Freq.(Fo) +/- 0.5 %	706 MHz	706 MHz
Insertion Loss	Typ. 2.0 dB	0.99 dB
-3 dB Bandwidth	Typ. 104 MHz	108.5 MHz
Sensitivity (Attenuation)	Fo - 102 MHz	Typ. 30 dB
	Fo + 102 MHz	Typ. 22 dB
	Fo - ( ) MHz	Typ. dBc
	Fo + ( ) MHz	Typ. dBc
Return Loss	Min. 12 dB	17.0 dB
Ripple	< 1 dB	
Impedance	In / Out : 50 Ω	In / Out : 50 Ω
(4) Torque for Tuning Screw	> 60gf · cm	

### (5) Temperature Condition:

Operating Temperature	0°C ~ +60°C
Storage Temperature	-20°C ~ +70°C

### (6) Input Power

(7) Measuring Circuit: ※Easy to match Impedance S11/S22 50Ω by parallel with about(0pF) / (0pF).

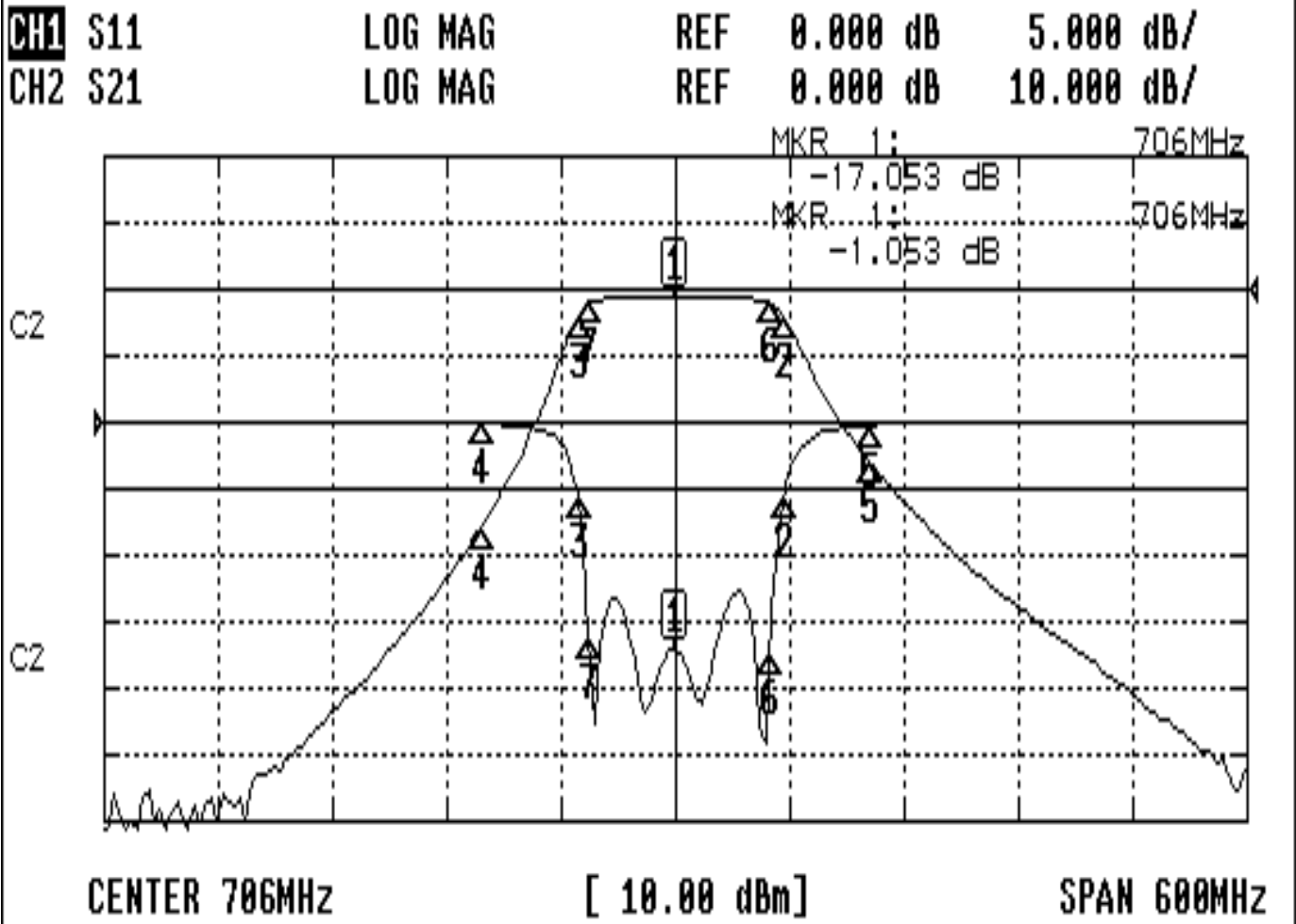


Approval	Supervisor	Designer	Aperture size
C.Y.Chang	C.K.Chang	J.F.Lin	7H4(4*7.35F)(7.40) 7H046RB6.5

TEMWELL CORPORATION

TEMWELL Form10-7H4F Vision D RP(J.FLin)

# Performance-TF64363F-706M 201001020CD



### CH1 MARKER LIST

1:	706.000MHz	-17.053 dB
2:	763.500MHz	-5.564 dB
3:	655.000MHz	-5.616 dB
4:	604.000MHz	-0.095 dB
5:	808.000MHz	-0.186 dB
6:	756.000MHz	-17.320 dB
7:	661.000MHz	-16.167 dB
8:		
9:		
10:		

### CH2 MARKER LIST

1:	706.000MHz	-1.053 dB
2:	763.500MHz	-4.127 dB
3:	655.000MHz	-4.190 dB
4:	604.000MHz	-35.886 dB
5:	808.000MHz	-25.900 dB
6:	756.000MHz	-1.957 dB
7:	661.000MHz	-1.993 dB
8:		
9:		
10:		