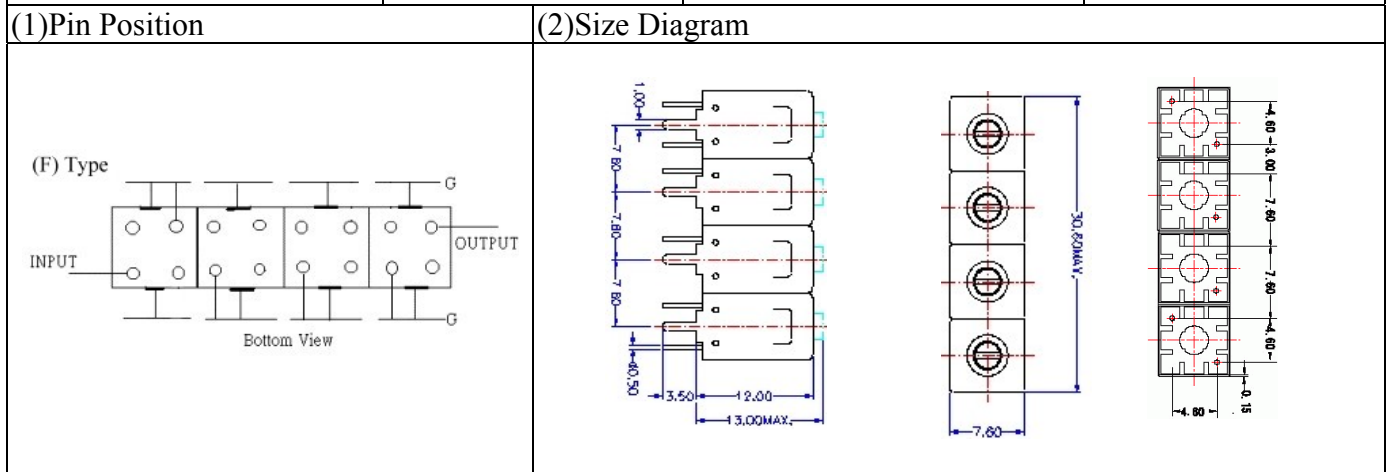
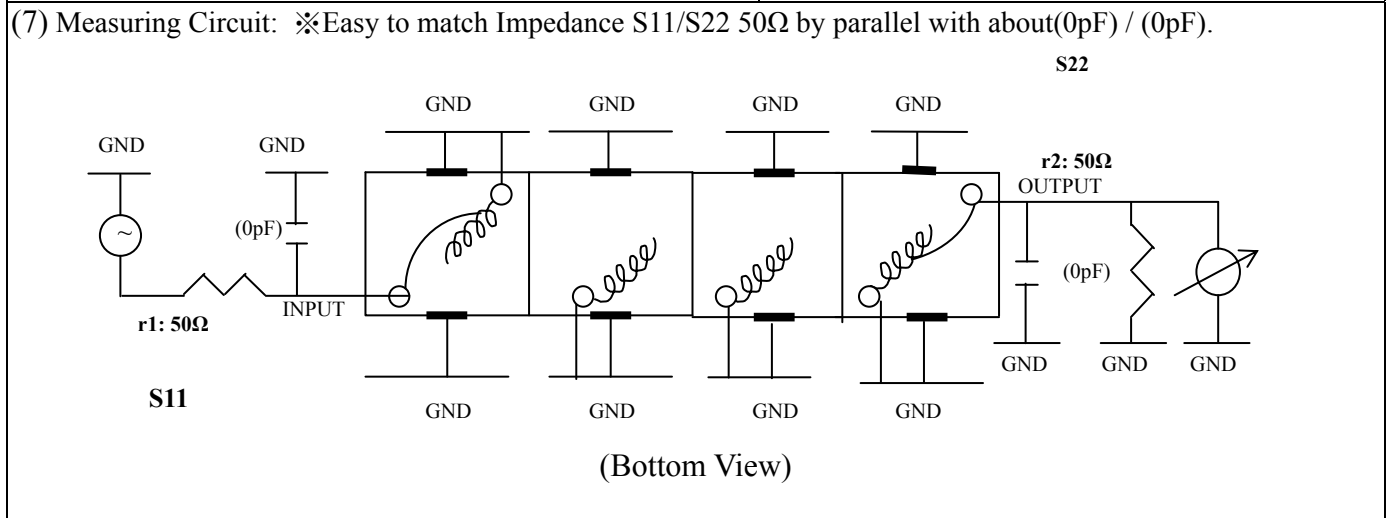


VHF UHF Helical Filter Specification Sheet

Customer Name		Temwell's Part No.	TF64351F-215M
Approval No. /dated		Customer's Print Name.	64351F 215M
Work Instruction No.	200910027CD	Date	Oct.06.2009



(3) Electric Characteristic					
Item		Specify		Performance	
Center Freq.(Fo) +/- 0.5 %		215 MHz		215 MHz	
Insertion Loss		Typ. 3.5 dB		2.31 dB	
-3 dB Bandwidth		Typ. 12 MHz		13.1 MHz	
Sensitivity (Attenuation)	Fo - (34) MHz	Typ. 65 dB		71 dB	
	Fo + (34) MHz	Typ. 65 dB		67 dB	
	Fo - () MHz	Typ. dBc		dBc	
	Fo + () MHz	Typ. dBc		dBc	
Return Loss		Min. 12 dB		28.2 dB	
Ripple		< 1 dB		dB	
Impedance		In / Out : 50 Ω		In / Out : 50 Ω	
(4) Torque for Tuning Screw		> 100gf · cm			
(5) Temperature Condition:					
Operating Temperature		0°C ~ +60°C			
Storage Temperature		-20°C ~ +70°C			
(6) Input Power		> 1 Watt			



Approval C.Y.Chang	Supervisor C.K.Chang	Designer C.S.Chang	Aperture size 7H4S(4*6.5F)(6.5) 7H024RB4
-----------------------	-------------------------	-----------------------	--

TEMWELL CORPORATION

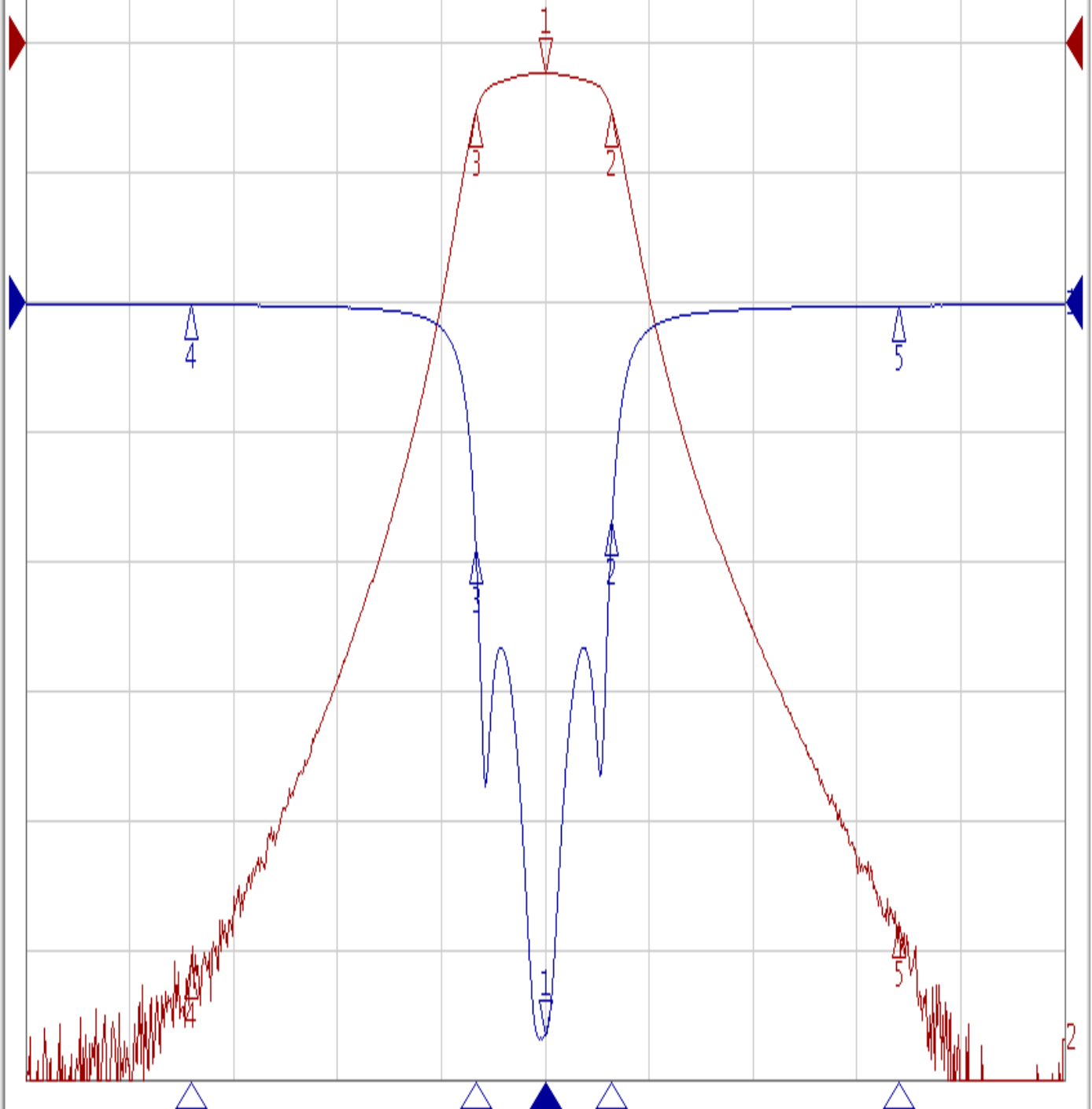
Performance-TF64351F-215M

200910027CD

Tr1 S11 Log Mag 5.000dB/ Ref 0.000dB [F2]
Tr2 S21 Log Mag 10.00dB/ Ref 0.000dB [F2]

1	215.00000	MHz	-2.3132	dB
2	221.43500	MHz	-5.3477	dB
3	208.35400	MHz	-5.3113	dB
4	181.00000	MHz	-71.030	dB
5	249.00000	MHz	-67.939	dB

>1	215.00000	MHz	-28.281	dB
2	221.43500	MHz	-8.3810	dB
3	208.35400	MHz	-9.5386	dB
4	181.00000	MHz	-0.0933	dB
5	249.00000	MHz	-0.1325	dB



1 Center 215 MHz

IFBW 10 kHz

Span 100 MHz Cor !