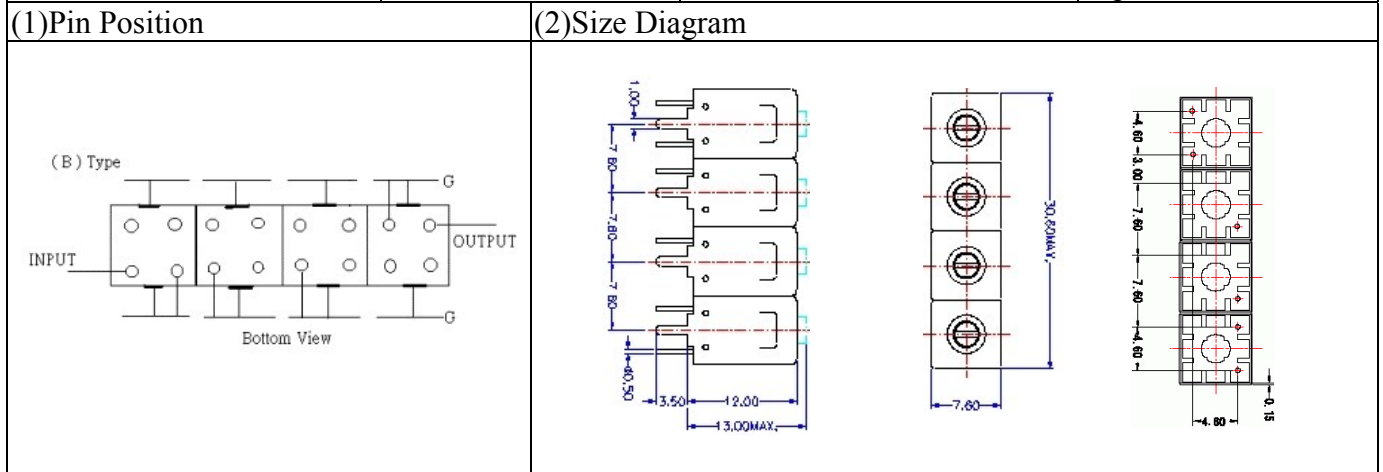


# VHF UHF Helical Filter Specification Sheet

Customer Name		Temwell's Part No.	TF64351B-201M
Approval No. /dated	0909116APR	Temwell's Print Name	64351B 201M
Work Instruction No.	200909116BD	Date	Sep.25.2009



### (3) Electric Characteristic

Item	Specify	Performance	
Center Freq.(Fo) +/- 0.5 %	201 MHz	201 MHz	
Insertion Loss	Typ. 4.0 dB	2.97 dB	
-3 dB Bandwidth	Typ. 12 MHz	12.9 MHz	
Sensitivity (Attenuation)	Fo - 34 MHz	Typ. 64 dBc	67 dBc
	Fo + 34 MHz	Typ. 48 dBc	52 dBc
	Fo - ( )MHz	Typ. dBc	dBc
	Fo + ( )MHz	Typ. dBc	dBc
Return Loss	Min. 12 dB	18.9 dB	
Ripple	< 1 dB	dB	
Impedance	In / Out : 50 Ω	In / Out : 50 Ω	

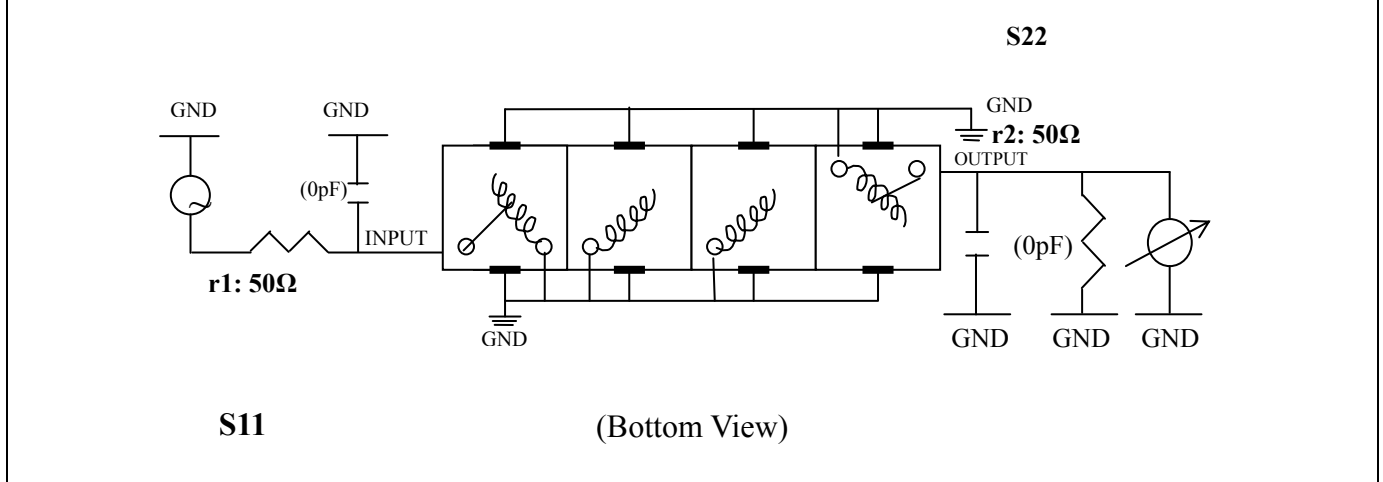
(4) Torque for Tuning Screw > 100gf · cm

### (5) Temperature Condition:

Operating Temperature	0°C ~ +60°C
Storage Temperature	-20°C ~ +70°C

(6) Input Power > 1Watt

(7) Measuring Circuit: ※Easy to match Impedance S11/S22 50Ω/ by parallel with about( 0 pF) / (0pF).

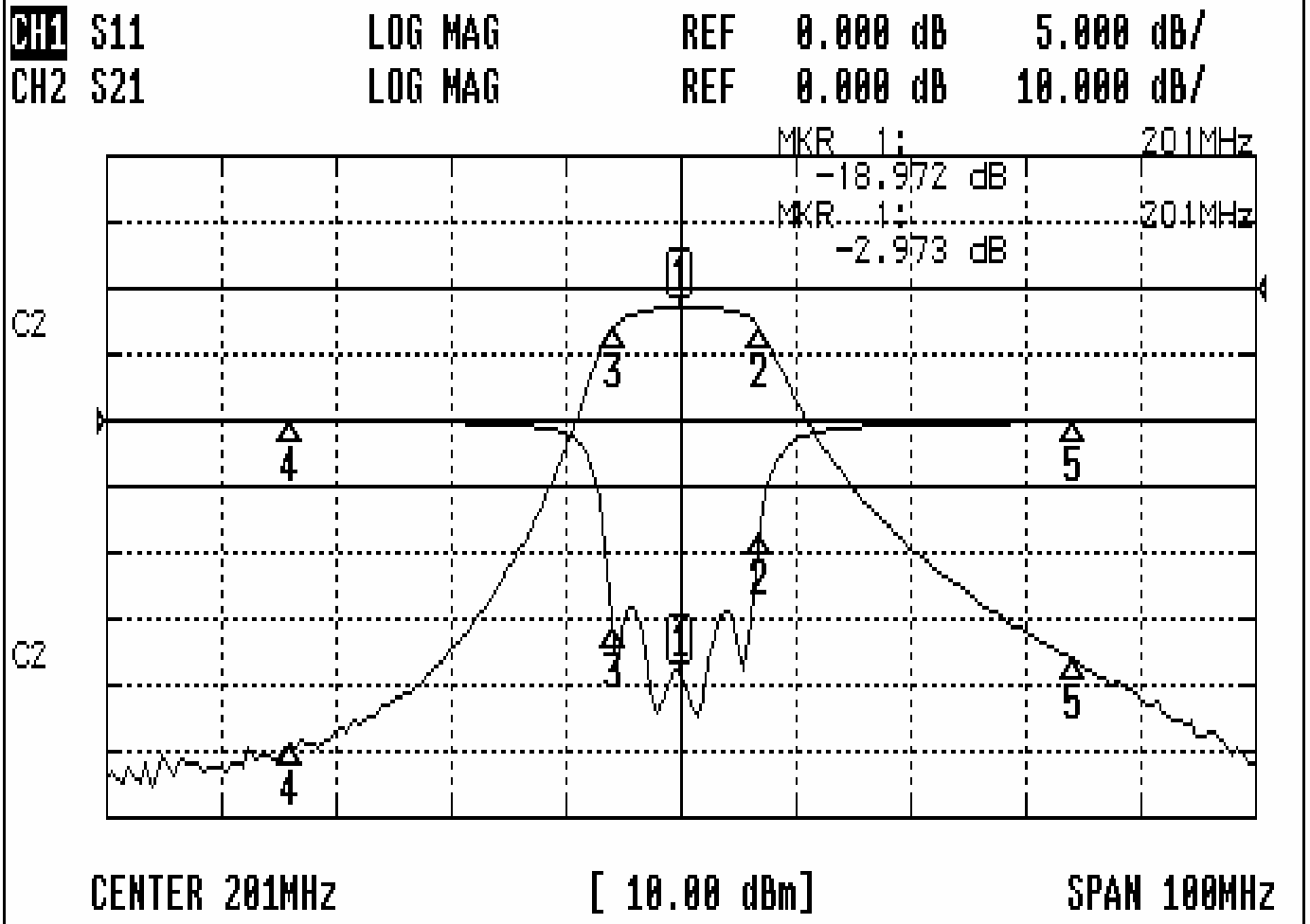


Approval	Supervisor	Designer	Aperture size
C.Y.Chang	C.K.Chang	C.H.Yeh	7H4S(4*7.35)(7.37) 7H024RB4

TEMWELL CORPORATION

# Performance-TF64351B-201M

200909116BD



## CH1 MARKER LIST

1	201.000MHz	-18.972 dB
2	207.916MHz	-18.464 dB
3	195.083MHz	-15.529 dB
4	167.000MHz	-0.053 dB
5	235.000MHz	-0.111 dB

## CH2 MARKER LIST

1	201.000MHz	-2.973 dB
2	207.916MHz	-6.018 dB
3	195.083MHz	-5.965 dB
4	167.000MHz	-70.412 dB
5	235.000MHz	-55.826 dB