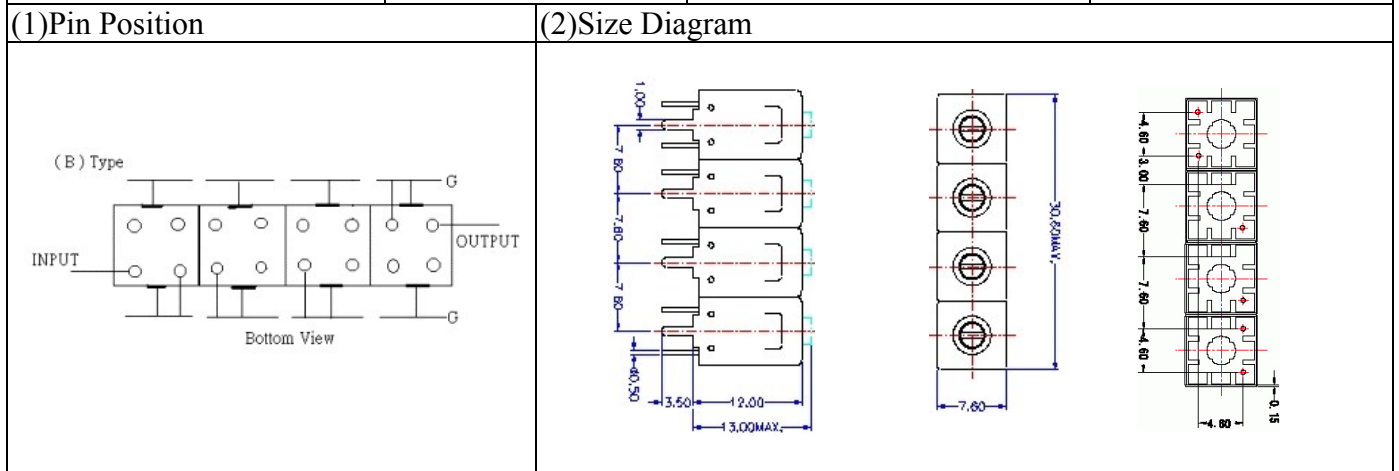


VHF UHF Helical Filter Specification Sheet

Customer Name		Temwell's Part No.	TF64348B-375M
Approval No. /dated	201206072CD	Temwell's Print Name.	64348B 375M
Work Instruction No.	201206072CD	Date	Jun.20.2012



(3) Electric Characteristic

Item	Specify	Performance	
Center Freq.(Fo) +/- 0.5 %	375 MHz	375 MHz	
Insertion Loss	Typ. 2.0 dB	0.74 dB	
-3 dB Bandwidth	Typ. 100 MHz	104.1 MHz	
Sensitivity (Attenuation)	Fo - 100 MHz	Typ. 38 dBc	41 dBc
	Fo + 100 MHz	Typ. 20 dBc	23 dBc
	Fo - ()MHz	Typ. dBc	dBc
	Fo +()MHz	Typ. dBc	dBc
Return Loss	Min. 12 dB	32.5 dB	
Ripple	< 1 dB	dB	
Impedance	In / Out : 50 Ω	In / Out : 50 Ω	

(4) Torque for Tuning Screw > 60gf · cm

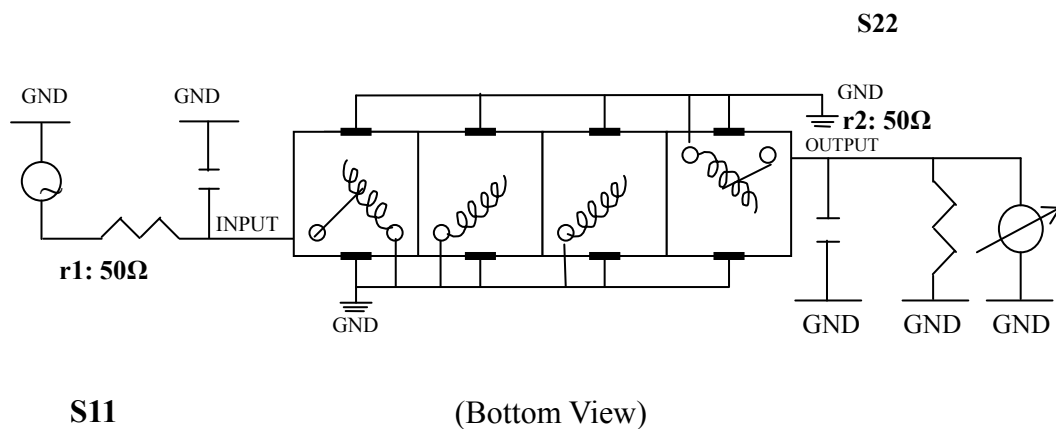
(5) Temperature Condition:

Operating Temperature 0°C ~ +60°C

Storage Temperature -20°C ~ +70°C

(6) Input Power > 1Watt

(7) Measuring Circuit: ※Easy to match Impedance S11/S22 50Ω/ by parallel with about(--)



Approval	Supervisor	Designer	Aperture size
C.Y.Chang	C.K.Chang	C.S.Chang	7H4S(4*8.0)(8.05) 7H046RB6.5

TEMWELL CORPORATION

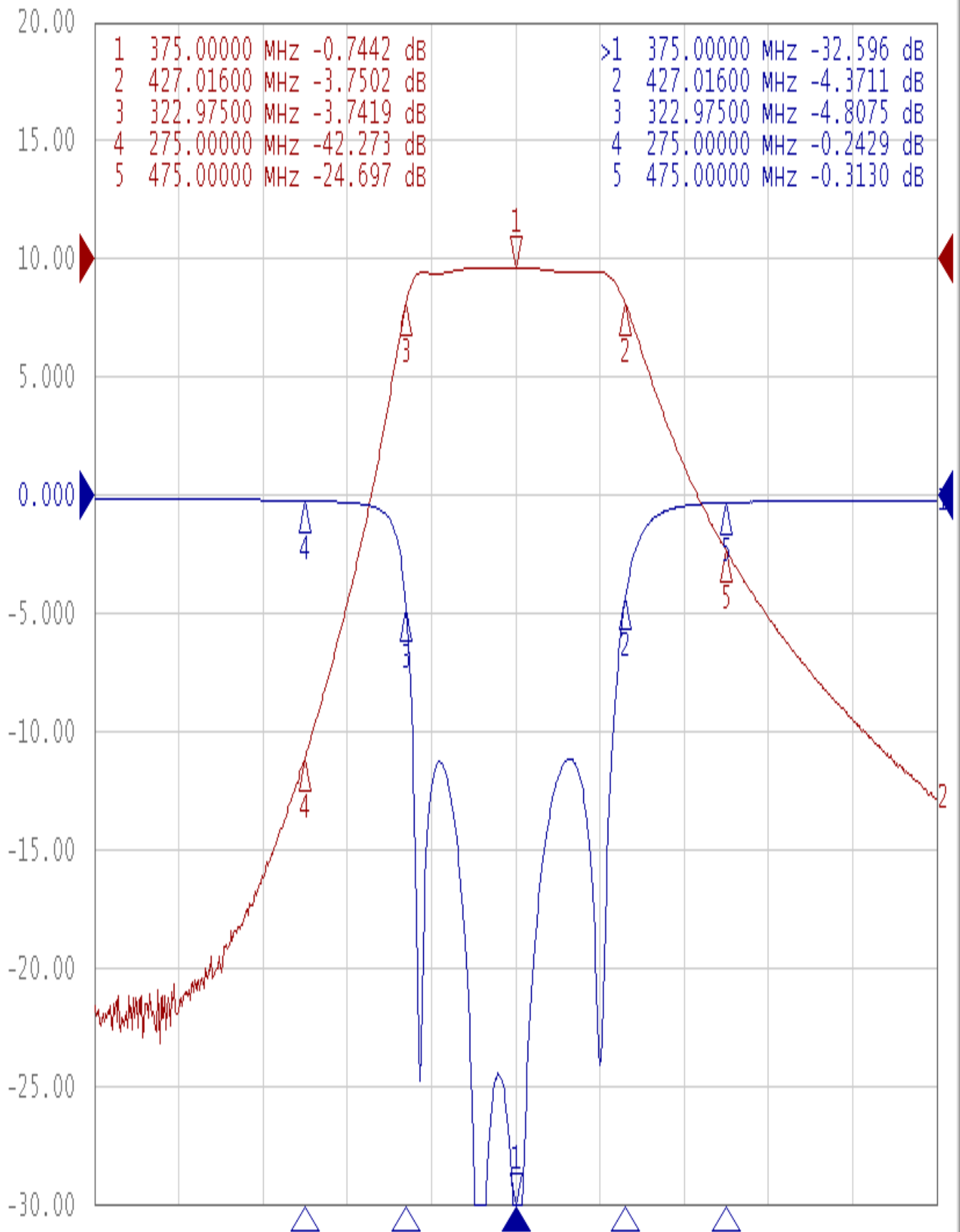
TEMWELL

RP:(C.S.C)

Performance-TF64348B-375M

201206072CD

▶ Tr1 S11 Log Mag 5.000dB/ Ref 0.000dB [F2]
Tr2 S21 Log Mag 10.00dB/ Ref 0.000dB [F2]



1 Center 375 MHz

IFBW 10 kHz

Span 400 MHz Cor !