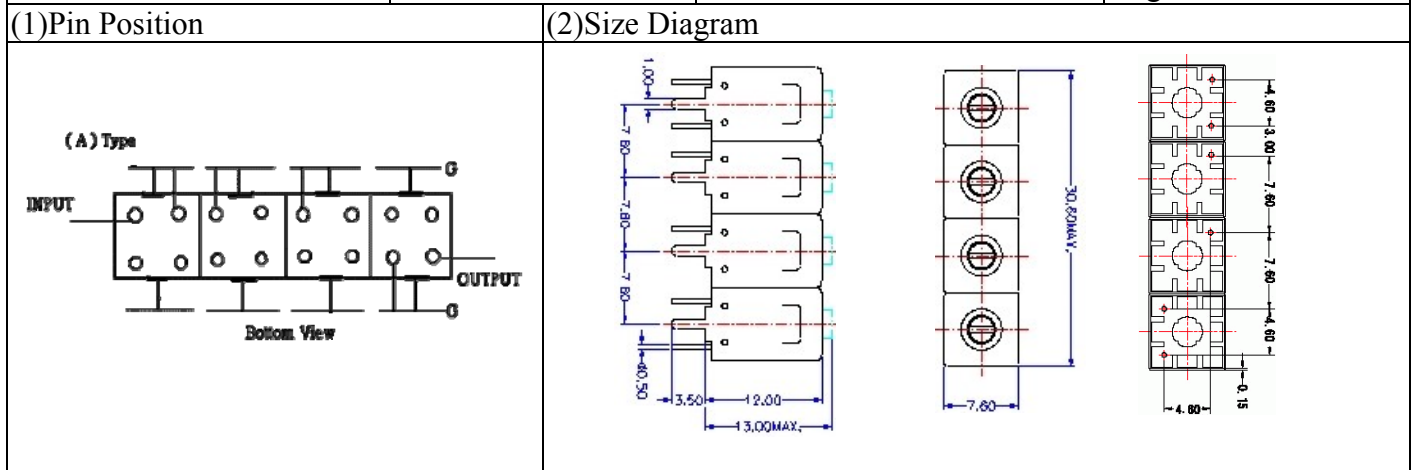


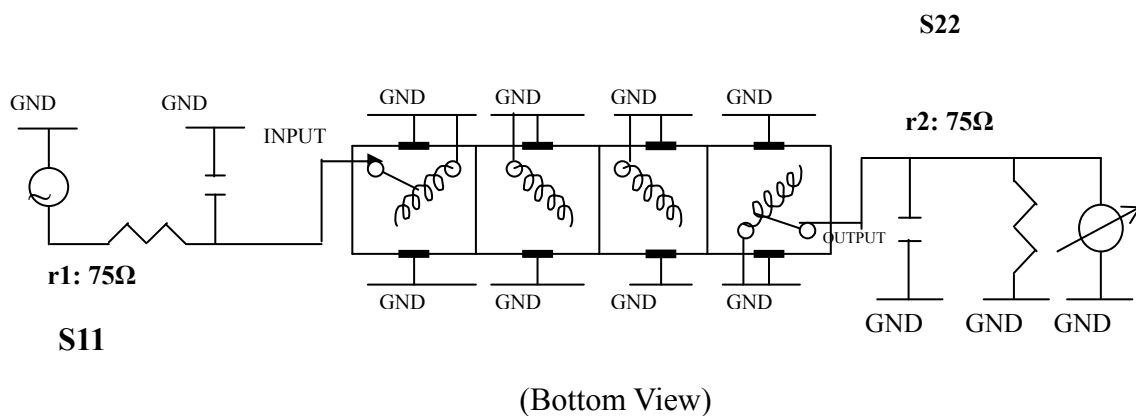
VHF UHF Helical Filter Specification Sheet

| | | | |
|----------------------|-------------|----------------------|----------------|
| Customer Name | | Temwell's Part No. | TF64345A-653M |
| Approval No. /dated | 201707042CD | Temwell's Print Name | 64345A 653M |
| Work Instruction No. | 201707042CD | Date | Aug.04.2017 |



| (3) Electric Characteristic | | | |
|------------------------------|--------------|-----------------|-----------------|
| Item | | Specify | Performance |
| Center Freq.(Fo) +/- 0.5 % | | 653 MHz | 653 MHz |
| Insertion Loss | | Typ. 3.0 dB | 2.20 dB |
| -3 dB Bandwidth | | Typ. 35 MHz | 38.5 MHz |
| Sensitivity (Attenuation) | Fo - 100 MHz | Typ. 66 dBc | 71 dBc |
| | Fo + 100 MHz | Typ. 48 dBc | 53 dBc |
| | Fo - ()MHz | Typ. dBc | dBc |
| | Fo + ()MHz | Typ. dBc | dBc |
| Return Loss | | Min. 12 dB | 18.1 dB |
| Ripple | | < 1 dB | dB |
| Impedance | | In / Out : 50 Ω | In / Out : 50 Ω |
| (4) Torque for Tuning Screw | | > 60gf · cm | |
| (5) Temperature Condition: | | | |
| Operating Temperature | | 0°C ~ +60°C | |
| Storage Temperature | | -20°C ~ +70°C | |
| (6) Input Power | | > 1Watt | |

(7) Measuring Circuit: ※Easy to match Impedance S11/S22 /50Ω by parallel with about(- -).



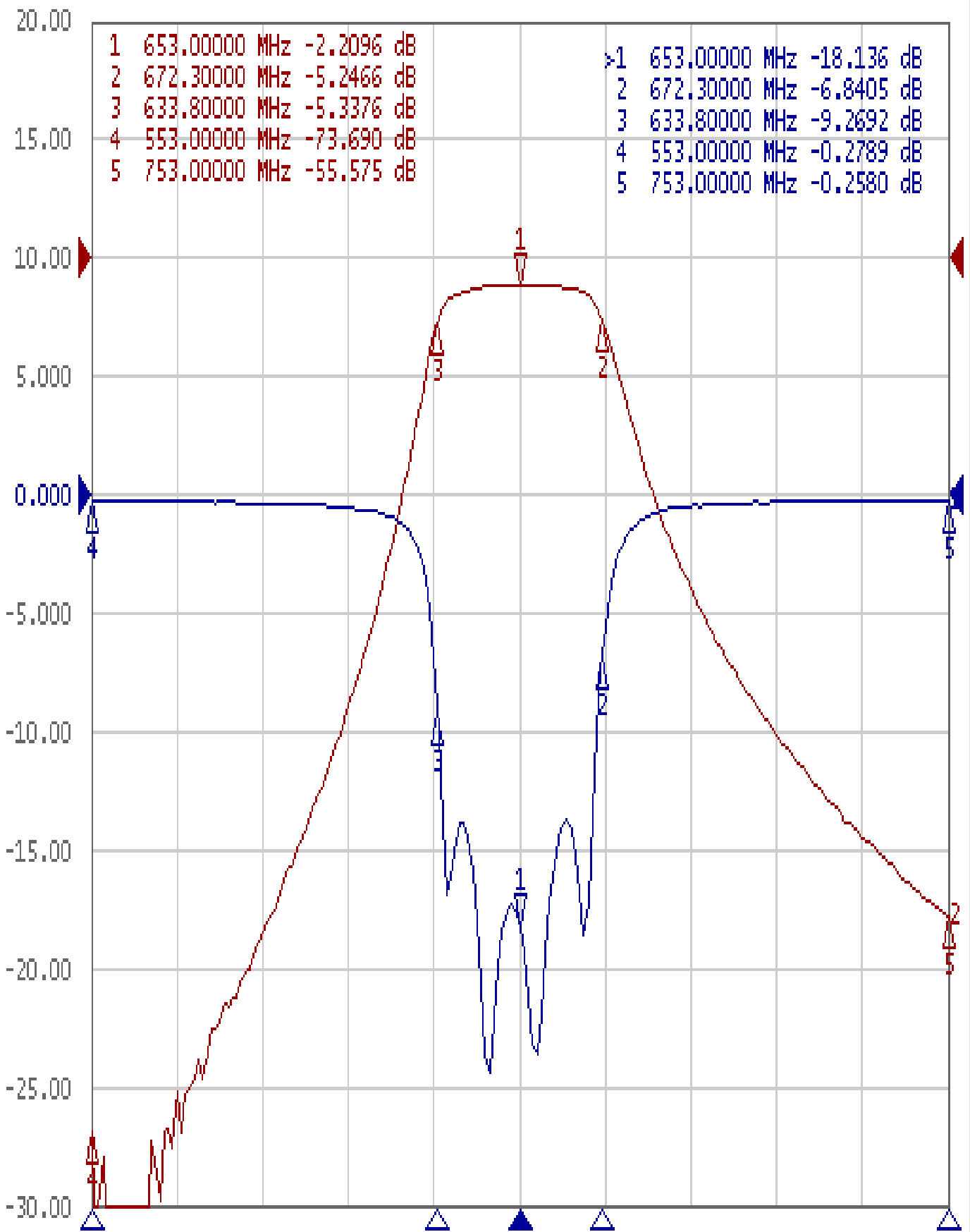
| | | | |
|-----------|------------|----------|-------------------------------|
| Approval | Supervisor | Designer | Aperture size |
| C.Y.Chang | C.K.Chang | W.W.Wang | 7H4S(4*5.5)(5.59) 7H046LB5 |

TEMWELL CORPORATION

Performance-TF64345A-653M

201707042CD

Tr1 S11 Log Mag 5.000dB/ Ref 0.000dB [F2]
Tr2 S21 Log Mag 10.00dB/ Ref 0.000dB [F2]



1 Center 653 MHz

IFBW 70 kHz

Span 200 MHz Cor !