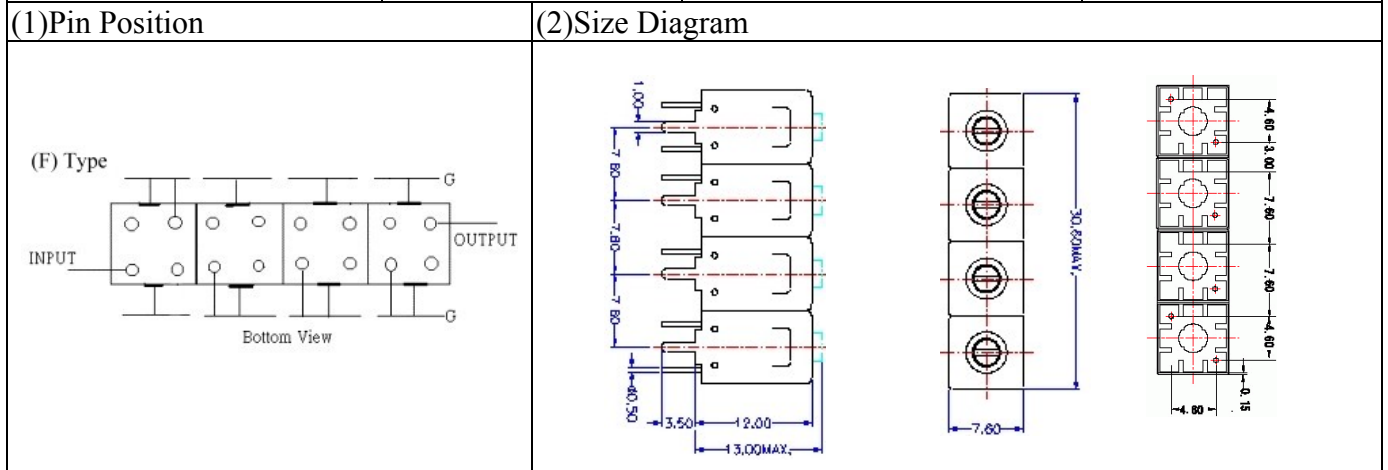
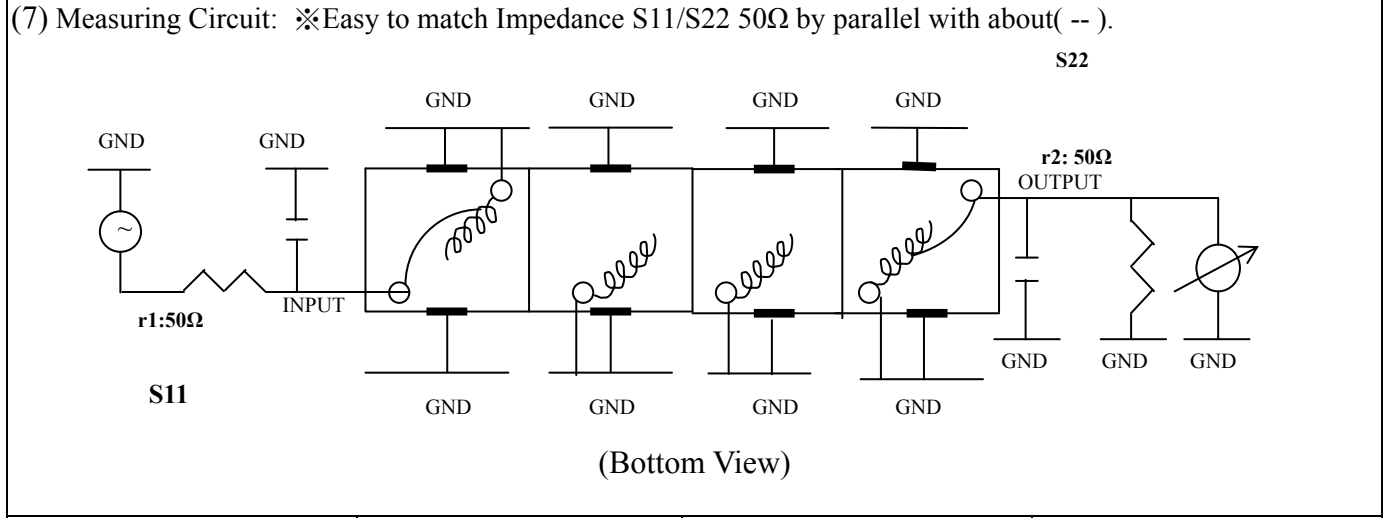


VHF UHF Helical Filter Specification Sheet

Customer Name		Temwell's Part No.	TF64339F-1160M
Approval No. /dated	201206083CD	Temwell's Print Name	64339F 11600M
Work Instruction No.	201206083CD	Date	Nov.27.2012



(3) Electric Characteristic		Item	Specify	Performance
		Center Freq.(Fo) +/- 0.5 %	1160 MHz	1160 MHz
		Insertion Loss	Typ. 2.0 dB	1.37 dB
		-3 dB Bandwidth	Typ. 120 MHz	131.7 MHz
Sensitivity (Attenuation)	Fo - (150) MHz	Typ. 33 dBc		36 dBc
	Fo + (150) MHz	Typ. 25 dBc		28 dBc
	Fo - () MHz	Typ. dBc		dBc
	Fo + () MHz	Typ. dBc		dBc
		Return Loss	Min. 12 dB	19.3 dB
		Ripple	< 1 dB	dB
		Impedance	In / Out : 50 Ω	In / Out : 50 Ω
(4) Torque for Tuning Screw			> 60gf • cm	
(5) Temperature Condition:				
Operating Temperature			0°C ~ +60°C	
Storage Temperature			-20°C ~ +70°C	
(6) Input Power			> 1Watt	



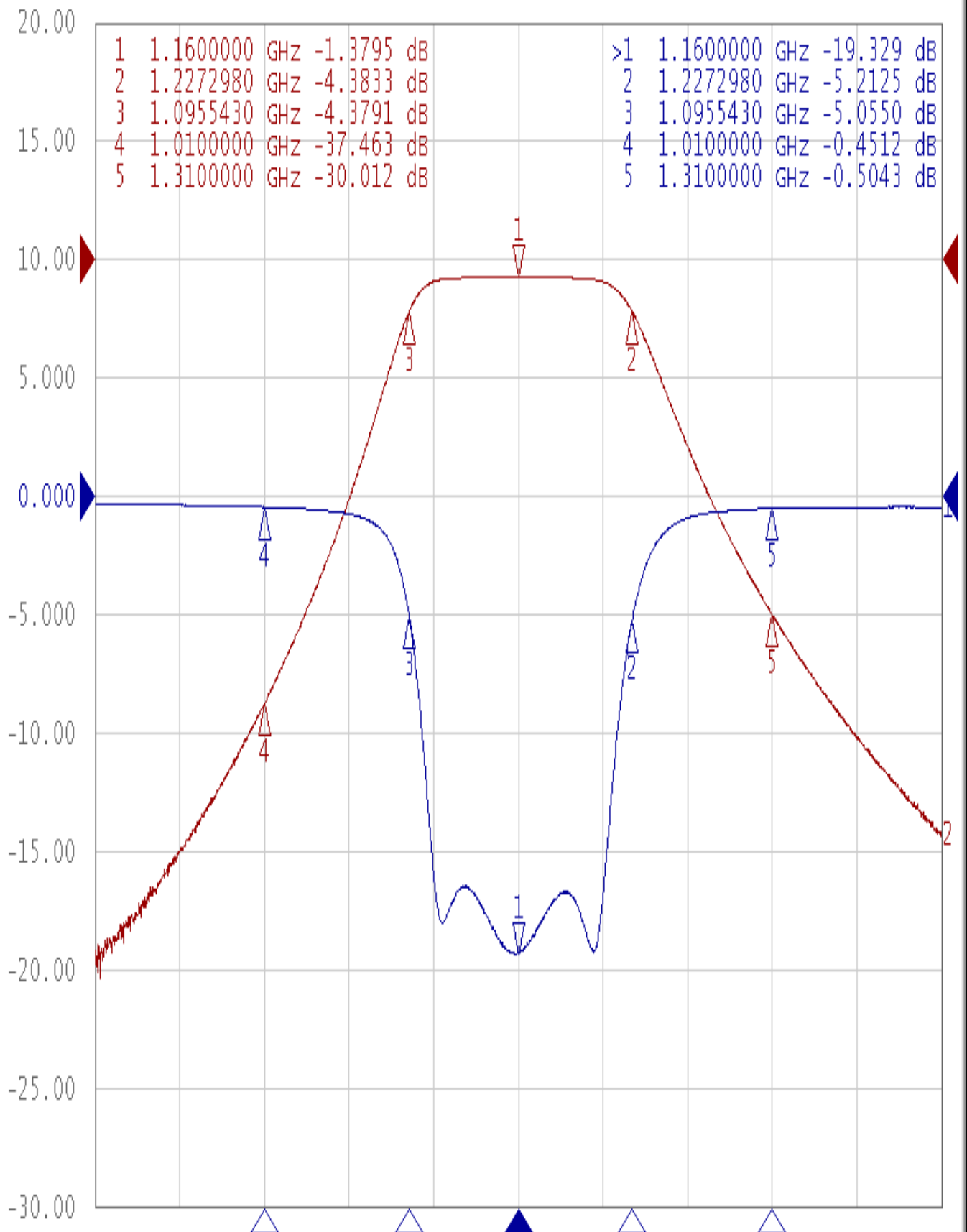
Approval	Supervisor	Designer	Aperture size
C.Y.Chang	C.K.Chang	C.S.Chang	7H4S(4*7.5)(7.58) 7H046RB6.5

TEMWELL CORPORATION

Performance-TF64339F-1160M

201206083CD

Tr1 S11 Log Mag 5.000dB/ Ref 0.000dB [F2]
Tr2 S21 Log Mag 10.00dB/ Ref 0.000dB [F2]



1 Center 1.16 GHz

IFBW 10 kHz

Span 500 MHz Cor !