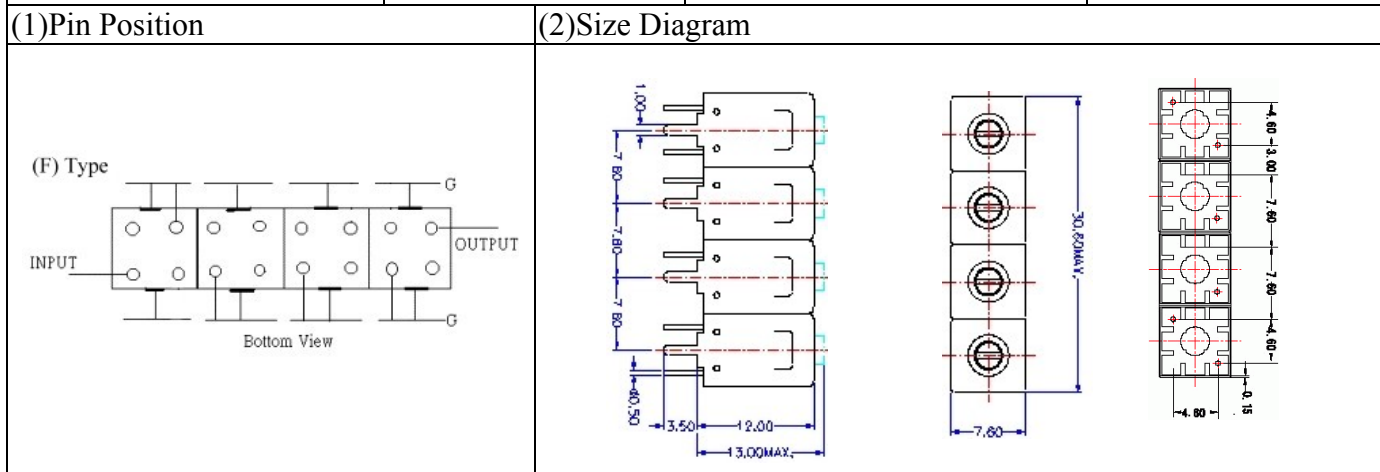


VHF UHF Helical Filter Specification Sheet

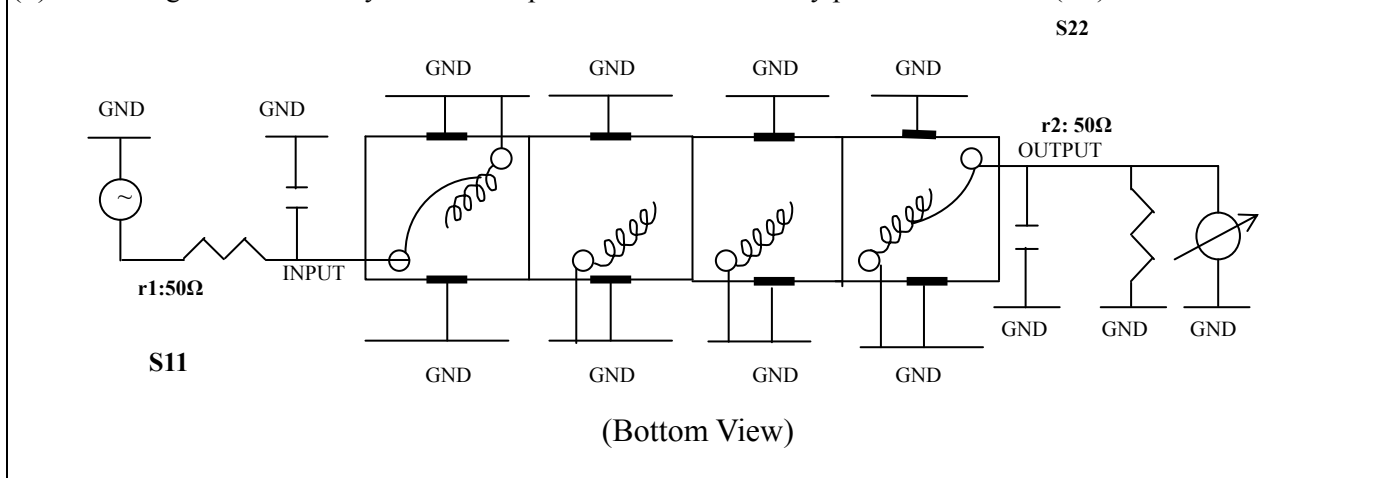
Customer Name		Temwell's Part No.	TF64335F-480M
Approval No. /dated	201206073CD	Temwell's Print Name	64335F 480M
Work Instruction No.	201206073CD	Date	Jun.21.2012



(3) Electric Characteristic

Item	Specify	Performance
Center Freq.(Fo) +/- 0.5 %	480 MHz	480 MHz
Insertion Loss	Typ. 2.0 dB	0.79 dB
-3 dB Bandwidth	Typ. 120 MHz	124.9 MHz
Sensitivity (Attenuation)	Fo - (150) MHz	Typ. 49 dBc
	Fo + (150) MHz	Typ. 29 dBc
	Fo - () MHz	Typ. dBc
	Fo + () MHz	Typ. dBc
Return Loss	Min. 12 dB	21.5 dB
Ripple	< 1 dB	dB
Impedance	In / Out : 50 Ω	In / Out : 50 Ω
(4) Torque for Tuning Screw	> 60gf · cm	
(5) Temperature Condition:		
Operating Temperature	0°C ~ +60°C	
Storage Temperature	-20°C ~ +70°C	
(6) Input Power	> 1Watt	

(7) Measuring Circuit: ※Easy to match Impedance S11/S22 50Ω by parallel with about(--).



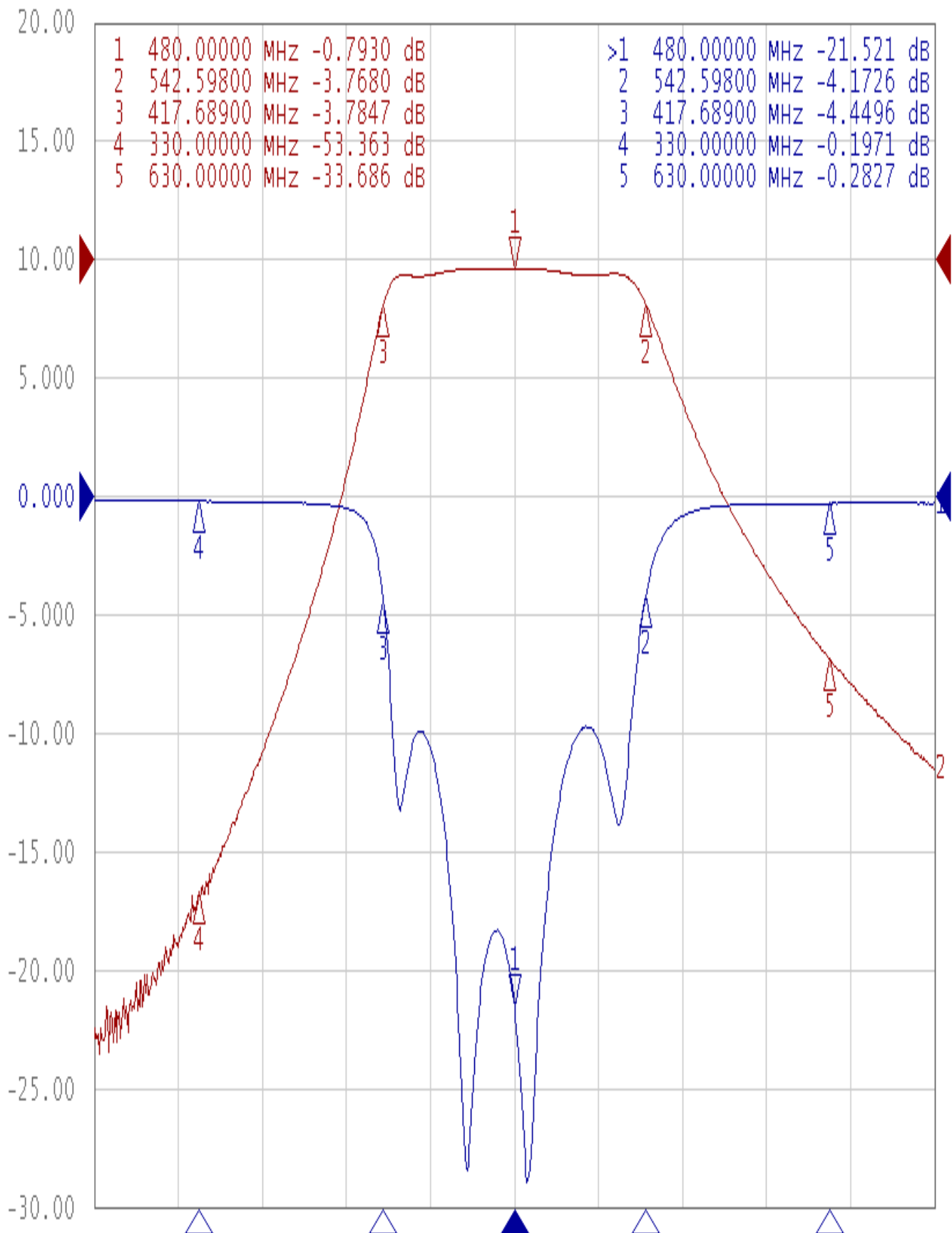
Approval	Supervisor	Designer	Aperture size
C.Y.Chang	C.K.Chang	C.S.Chang	7H4S(4*8.0)(8.04) 7H046RB6.5(J1)

TEMWELL CORPORATION

Performance-TF64335F-480M

201206073CD

▶ Tr1 S11 Log Mag 5.000dB/ Ref 0.000dB [F2]
Tr2 S21 Log Mag 10.00dB/ Ref 0.000dB [F2]



1 Center 480 MHz

IFBW 10 kHz

Span 400 MHz Cor !