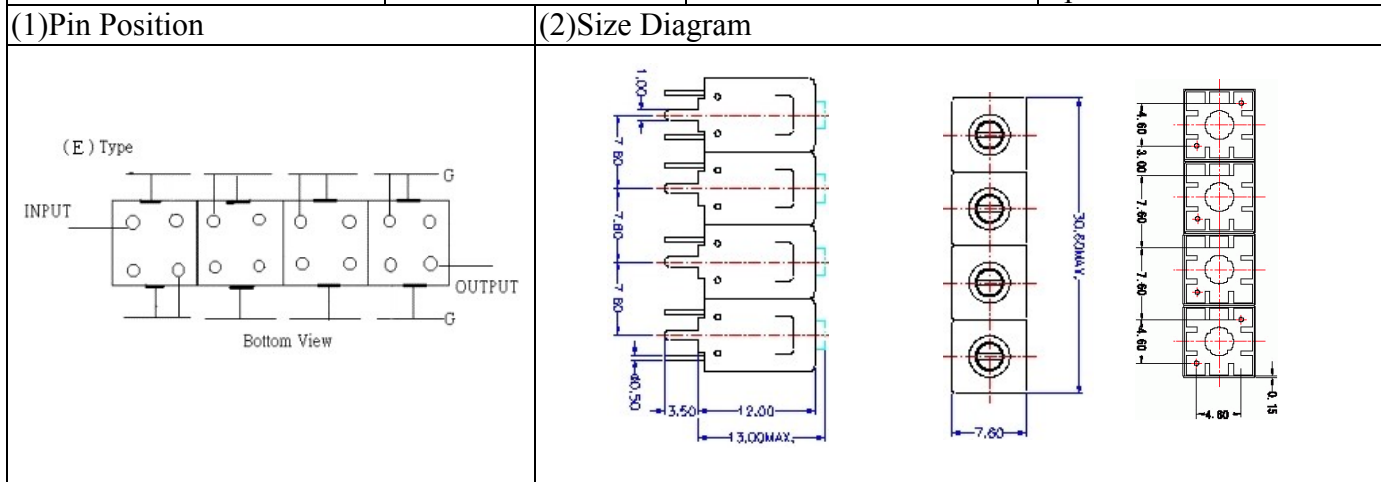


# VHF UHF Helical Filter Specification Sheet

Customer Name		Temwell's Part No.	TF64330E-666M
Approval No. /dated	0903090APR	Temwell's Print Name	64330E 666M
Work Instruction No.	200903090BD	Date	Apr.06.2009



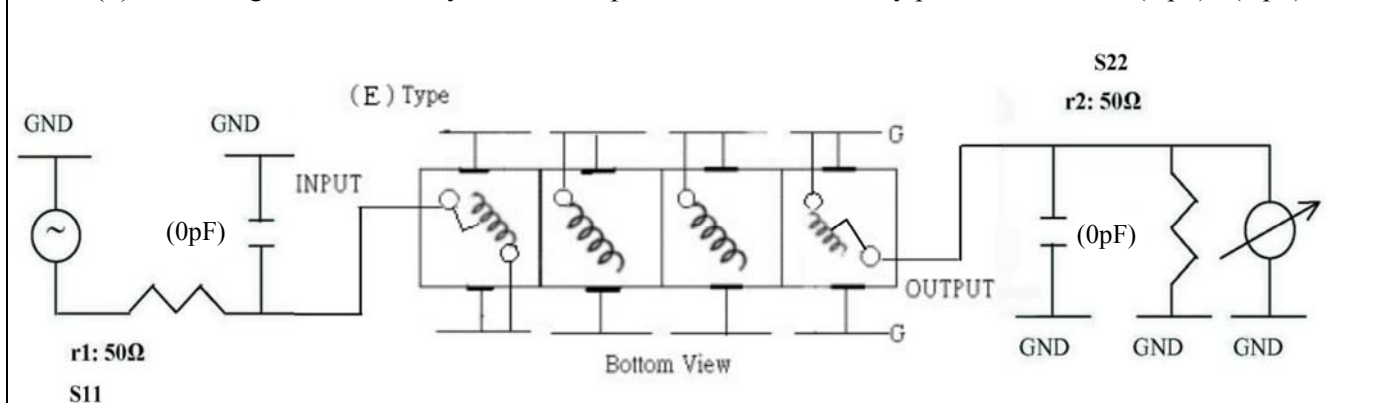
(3) Electric Characteristic

Item	Specify	Performance
Center Freq.(Fo) +/- 0.5 %	666 MHz	666 MHz
Insertion Loss	Typ. 2.0 dB	0.97 dB
-1 dB Bandwidth	Typ. 78 MHz	81.2 MHz
-3 dB Bandwidth	Typ. 88 MHz	91.9 MHz
Sensitivity (Attenuation)	Fo - 90 MHz	Typ. 31 dB
	Fo +90 MHz	Typ. 23 dB
	Fo - ( )MHz	Typ. dB
	Fo +( )MHz	Typ. dB
Return Loss	Min. 12 dB	46.7 dB
Ripple	< 1 dB	dB
Impedance	In / Out : 50 Ω	In / Out : 50 Ω
(4) Torque for Tuning Screw	> 100gf · cm	

(5) Temperature Condition:

Operating Temperature	0°C ~ +60°C
Storage Temperature	-20°C ~ +70°C
(6) Input Power	> 1Watt

(7) Measuring Circuit: ※Easy to match Impedance S11/S22 50Ω by parallel with about( 0pF) / ( 0pF)



Approval	Supervisor	Designer	Aperture size
C.Y.Chang	C.K.Chang	C.S.Chang	7H4S(4*7.5)(7.54) 7H046LB5.5
TEMWELL CORPORATION			

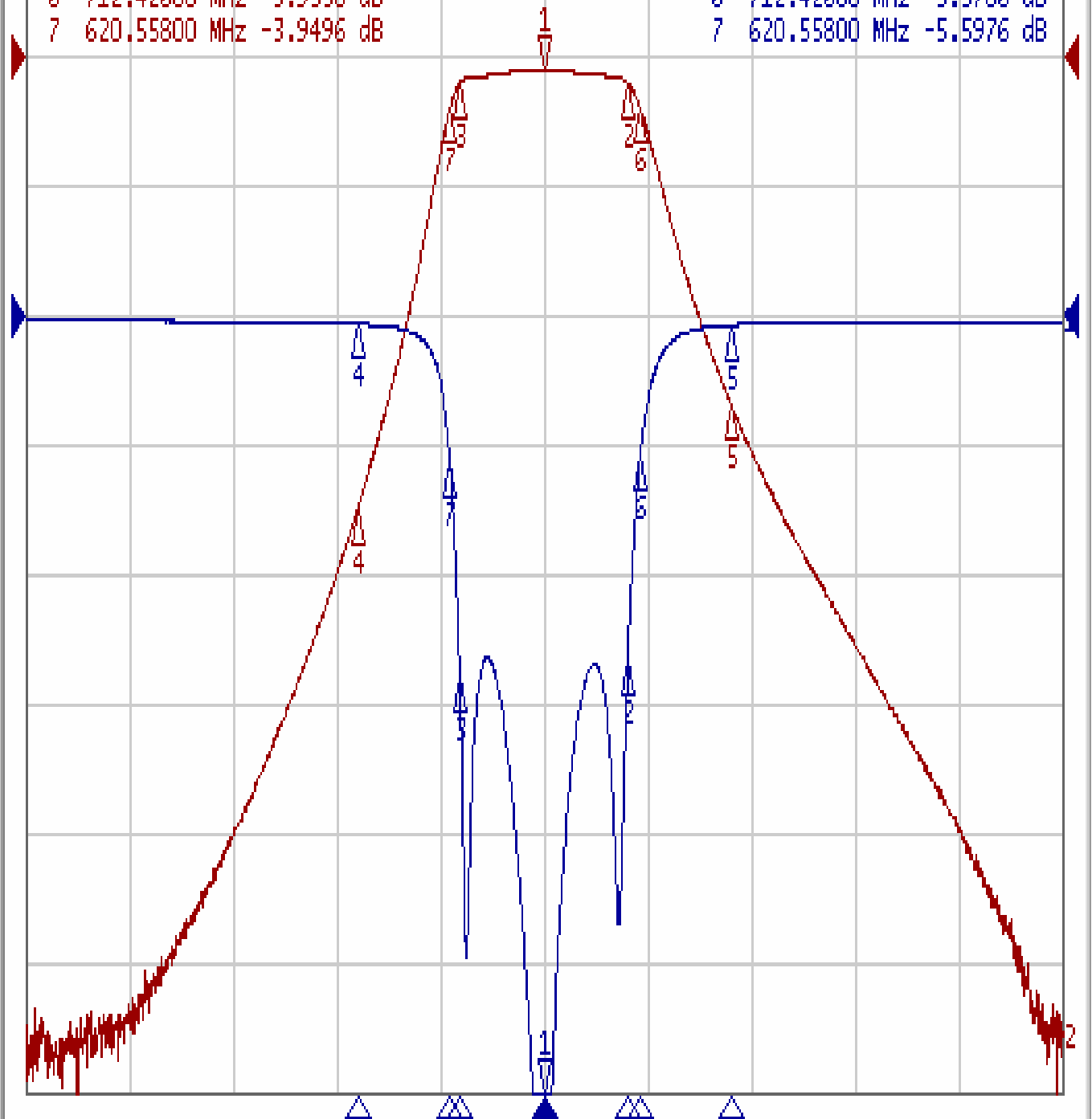
# Performance-TF64330E-666M

## 200903090BD

Tr1 S11 Log Mag 5.000dB/ Ref 0.000dB [F3]  
Tr2 S21 Log Mag 10.00dB/ Ref 0.000dB [F3]

1	666.00000 MHz	-0.9777 dB
2	706.42800 MHz	-1.9944 dB
3	625.24500 MHz	-1.9898 dB
4	576.00000 MHz	-34.916 dB
5	756.00000 MHz	-26.742 dB
6	712.42600 MHz	-3.9530 dB
7	620.55800 MHz	-3.9496 dB

>1	666.00000 MHz	-46.737 dB
2	706.42800 MHz	-13.273 dB
3	625.24500 MHz	-13.944 dB
4	576.00000 MHz	-0.2895 dB
5	756.00000 MHz	-0.3313 dB
6	712.42600 MHz	-5.3786 dB
7	620.55800 MHz	-5.5976 dB



1 Center 666 MHz

IFBW 10 kHz

Span 500 MHz

