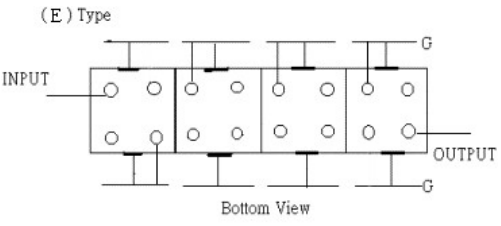
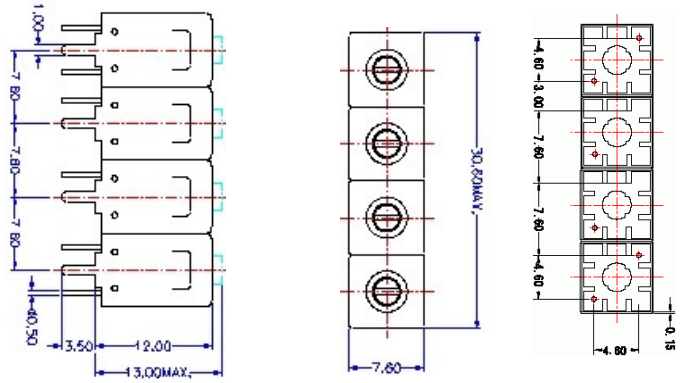


VHF UHF Helical Filter Specification Sheet

Customer Name		Temwell's Part No.	TF64328E-666M
Approval No. /dated	0903084APR	Temwell's Print Name	64328E 666M
Work Instruction No.	200903084BD	Date	Apr.02.2009

(1) Pin Position	(2) Size Diagram
 <p>(E) Type INPUT OUTPUT Bottom View</p>	

(3) Electric Characteristic

Item	Specify	Performance	
Center Freq.(Fo) +/- 0.5 %	666 MHz	666 MHz	
Insertion Loss	Typ. 2.0 dB	1.37 dB	
-1 dB Bandwidth	Typ. 54 MHz	56.7 MHz	
-3 dB Bandwidth	Typ. 64 MHz	66.7 MHz	
Sensitivity (Attenuation)	Fo - 66 MHz	Typ. 30 dB	33 dB
	Fo +66 MHz	Typ. 24 dB	27 dB
	Fo - ()MHz	Typ. dB	dB
	Fo +()MHz	Typ. dB	dB
Return Loss	Min. 12 dB	24.7 dB	
Ripple	< 1 dB	dB	
Impedance	In / Out : 50 Ω	In / Out : 50 Ω	

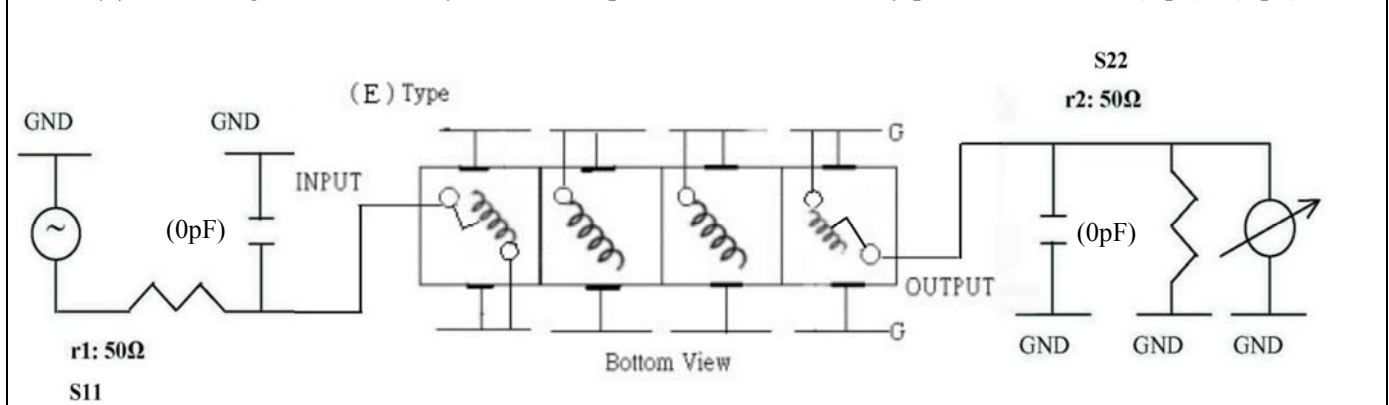
(4) Torque for Tuning Screw > 100gf · cm

(5) Temperature Condition:

Operating Temperature	0°C ~ +60°C
Storage Temperature	-20°C ~ +70°C

(6) Input Power > 1Watt

(7) Measuring Circuit: ※Easy to match Impedance S11/S22 50Ω by parallel with about(0pF) / (0pF)



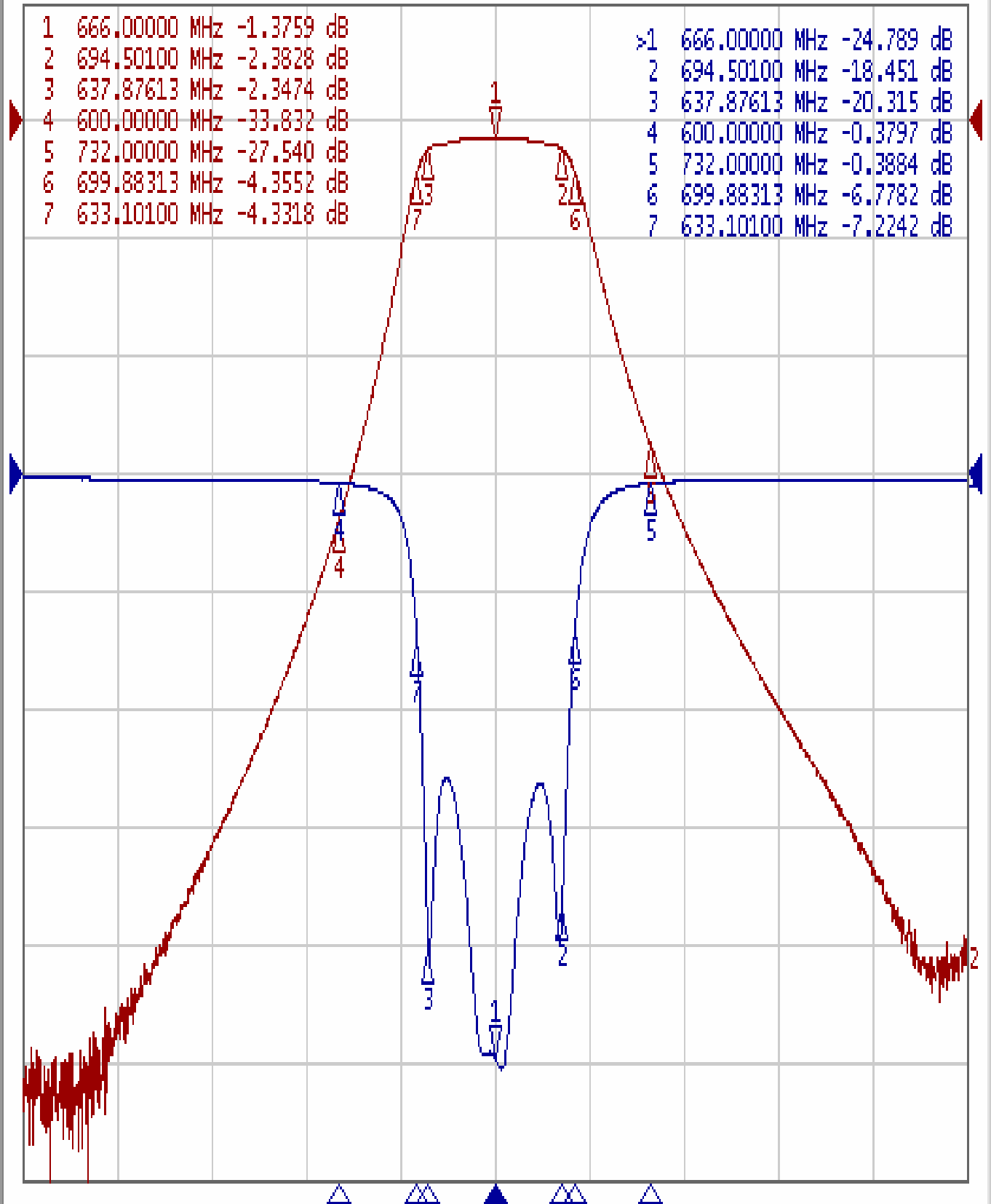
Approval	Supervisor	Designer	Aperture size
C.Y.Chang	C.K.Chang	C.S.Chang	7H4S(4*6.5)(6.52) 7H046LB5.5

TEMWELL CORPORATION

Performance-TF64328E-666M

200903084BD

Tr1 S11 Log Mag 5.000dB/ Ref 0.000dB [F3]
Tr2 S21 Log Mag 10.000dB/ Ref 0.000dB [F3]



1 Center 666 MHz

IFBW 10 kHz

Span 400 MHz

