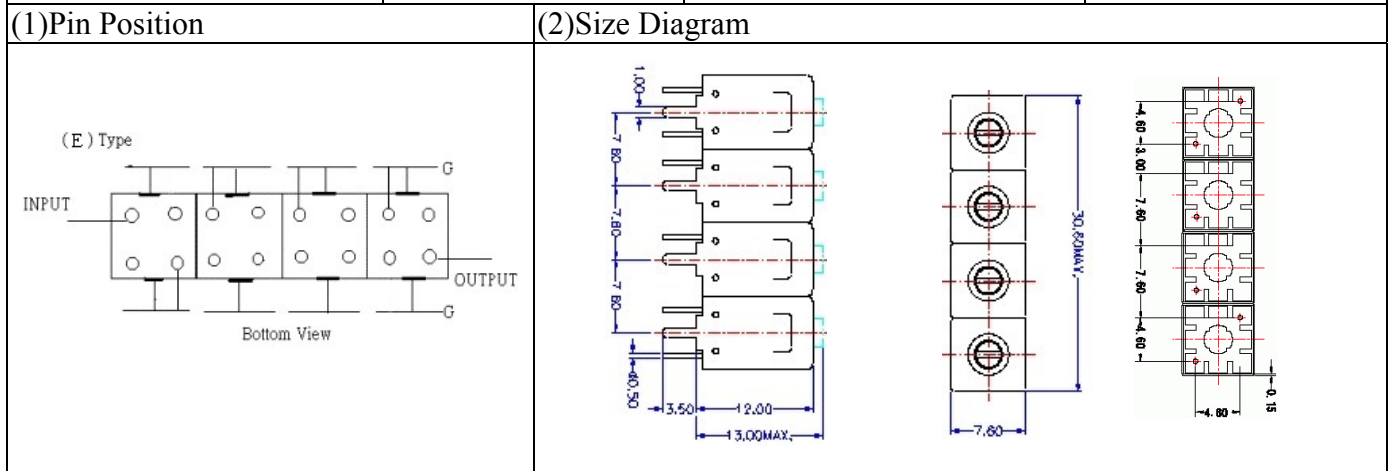


VHF UHF Helical Filter Specification Sheet

Customer Name		Temwell's Part No.	TF64326E-666M
Approval No. /dated	0903080APR	Acceptable Specifit Fo Range	64326E 666M
Work Instruction No.	200903080BD	Date	Mar.23.2009



(3) Electric Charasteric

Item	Specify	Performance
Center Freq.(Fo) +/- 0.5 %	666 MHz	666 MHz
Insertion Loss	Typ. 2.5 dB	1.89 dB
-1 dB Bandwidth	Typ. 30 MHz	34.3 MHz
-3 dB Bandwidth	Typ. 38 MHz	41.5 MHz
Sensitivity (Attenuation)	Fo - 30 MHz	Typ. 14 dB
	Fo + 30 MHz	Typ. 12 dB
	Fo - ()MHz	Typ. dB
	Fo +()MHz	Typ. dB
Return Loss	Min. 12 dB	18.1 dB
Ripple	< 1 dB	dB
Impedance	In / Out : 50 Ω	In / Out : 50 Ω

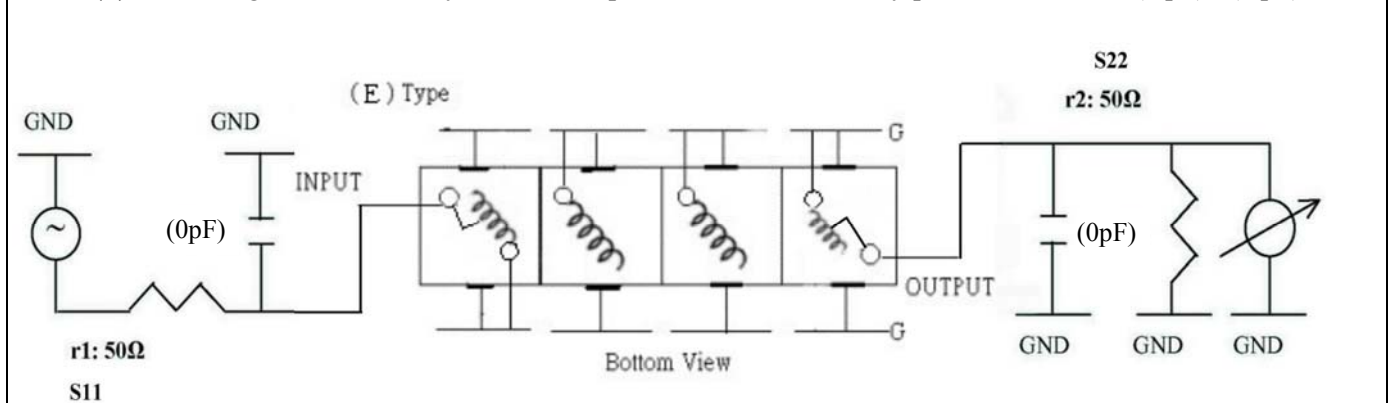
(4) Torque for Tuning Screw > 100gf · cm

(5) Temperature Condition:

Operating Temperature	0°C ~ +60°C
Storage Temperature	-20°C ~ +70°C

(6) Input Power > 1Watt

(7) Measuring Circuit: ※Easy to match Impedance S11/S22 50Ω by parallel with about(0pF) / (0pF)



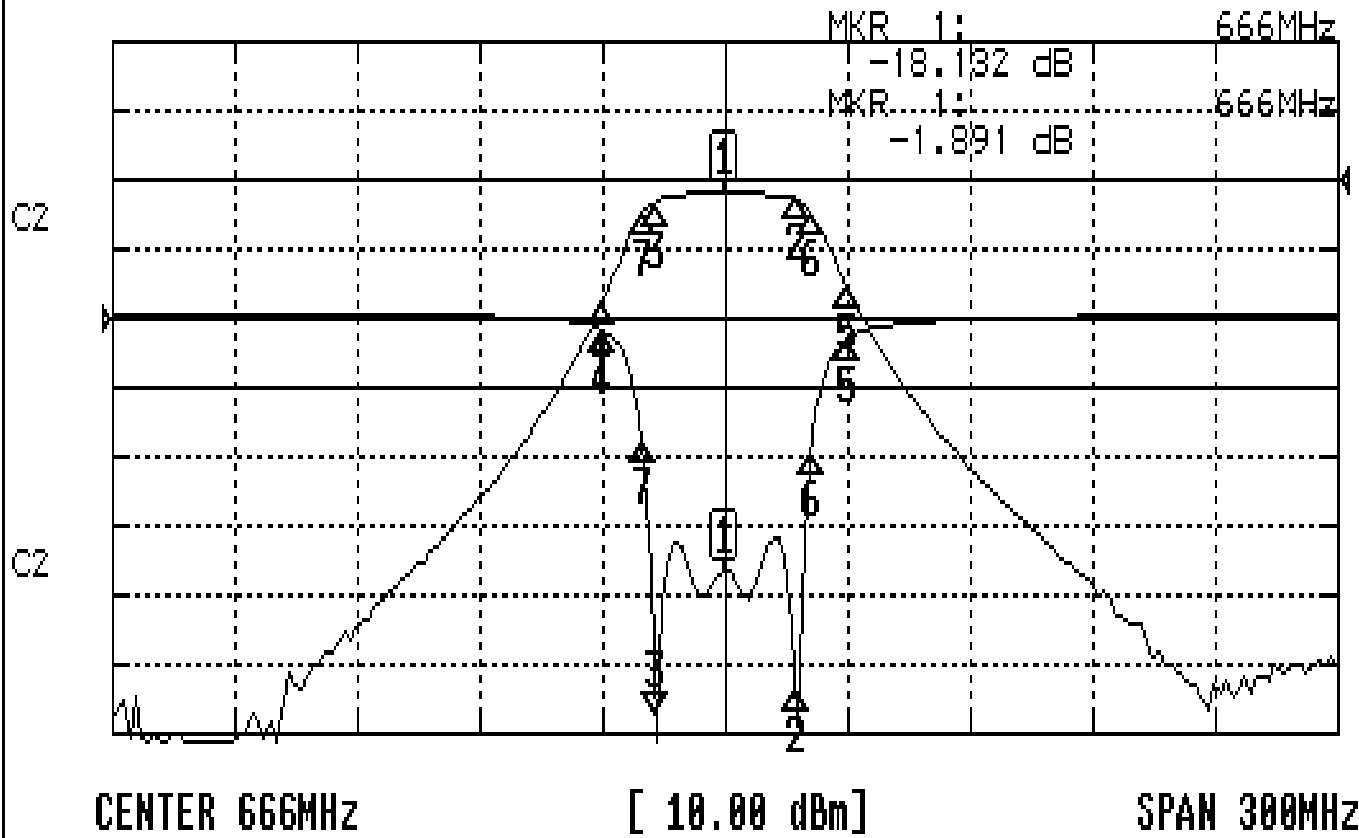
Approval	Supervisor	Designer	Aperture size
C.Y.Chang	C.S.Chang	W.W.Wang	7H4(4*5.5F)(5.56) (7H046LB5)

TEMWELL CORPORATION

Performance-TF64326E-666M

200903080BD

CH1 S11 LOG MAG REF 0.000 dB 5.000 dB/
CH2 S21 LOG MAG REF 0.000 dB 10.000 dB/



CH1 MARKER LIST

1	666.0000MHz	-18.132	0.0000
2	663.5000MHz	-1.891	0.0000
3	664.0000MHz	-1.891	0.0000
4	664.5000MHz	-1.891	0.0000
5	665.0000MHz	-1.891	0.0000
6	665.5000MHz	-1.891	0.0000
7	666.0000MHz	-1.891	0.0000
8	666.5000MHz	-1.891	0.0000
9	667.0000MHz	-1.891	0.0000
10	667.5000MHz	-1.891	0.0000

CH2 MARKER LIST

1	666.0000MHz	-1.891	0.0000
2	663.5000MHz	-1.891	0.0000
3	664.0000MHz	-1.891	0.0000
4	664.5000MHz	-1.891	0.0000
5	665.0000MHz	-1.891	0.0000
6	665.5000MHz	-1.891	0.0000
7	666.0000MHz	-1.891	0.0000
8	666.5000MHz	-1.891	0.0000
9	667.0000MHz	-1.891	0.0000
10	667.5000MHz	-1.891	0.0000