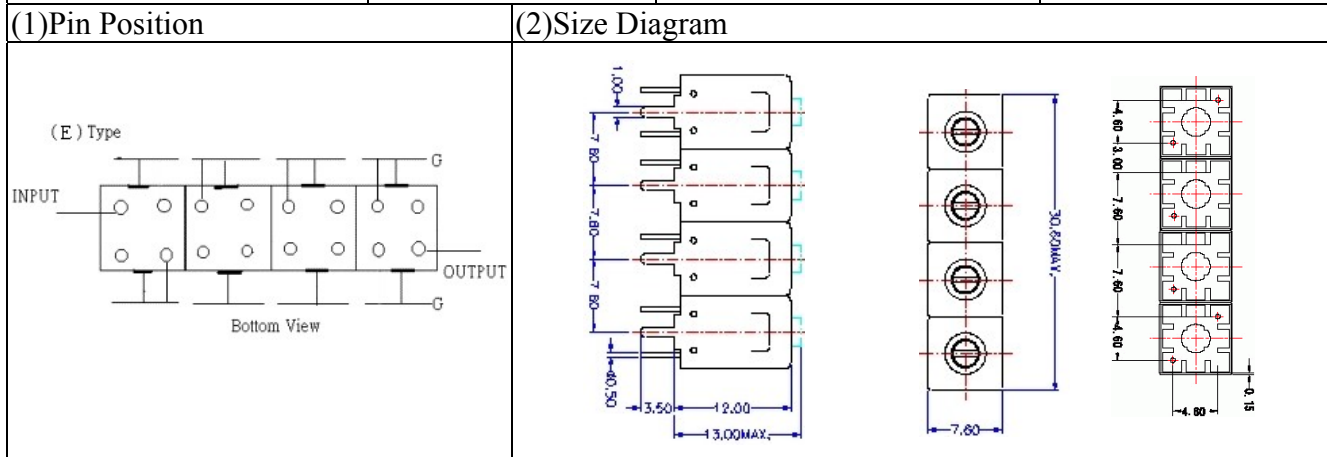


# VHF UHF Helical Filter Specification Sheet

Customer Name		Temwell's Part No.	TF64325E-666M
Approval No. /dated	0903078APR	Temwell's Print name	64325E 666M
Work Instruction No.	200903078BD	Date	Mar.30.2009



(3) Electric Characteristic

Item	Specify	Performance	
Center Freq.(Fo) +/- 0.5 %	666 MHz	666 MHz	
Insertion Loss	Typ. 3.0 dB	2.66 dB	
-1 dB Bandwidth	Typ. 18 MHz	19.6 MHz	
-3 dB Bandwidth	Typ. 22 MHz	25.2 MHz	
Sensitivity (Attenuation)	Fo - 30 MHz	Typ. 32 dB	35 dB
	Fo +30 MHz	Typ. 30 dB	33 dB
	Fo - ( )MHz	Typ. dB	dB
	Fo +( )MHz	Typ. dB	dB
Return Loss	Min. 12 dB	20.9 dB	
Ripple	< 1 dB	dB	
Impedance	In / Out : 50 Ω	In / Out : 50 Ω	

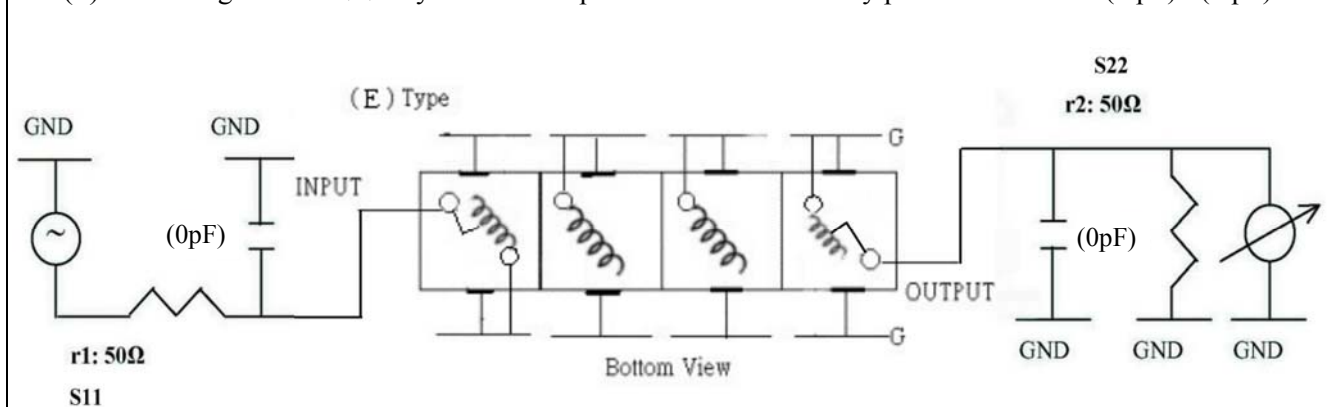
(4) Torque for Tuning Screw > 100gf · cm

(5) Temperature Condition:

Operating Temperature	0°C ~ +60°C
Storage Temperature	-20°C ~ +70°C

(6) Input Power > 1 Watt

(7) Measuring Circuit: ※Easy to match Impedance S11/S22 50Ω by parallel with about( 0pF) / ( 0pF)



Approval C.Y.Chang	Supervisor C.K.Chang	Designer P.H.Chiang	Aperture size 7H4S(4*5.5)(5.56) 7H046LB4.3 聚 3
-----------------------	-------------------------	------------------------	--

TEMWELL CORPORATION

TEMWELL

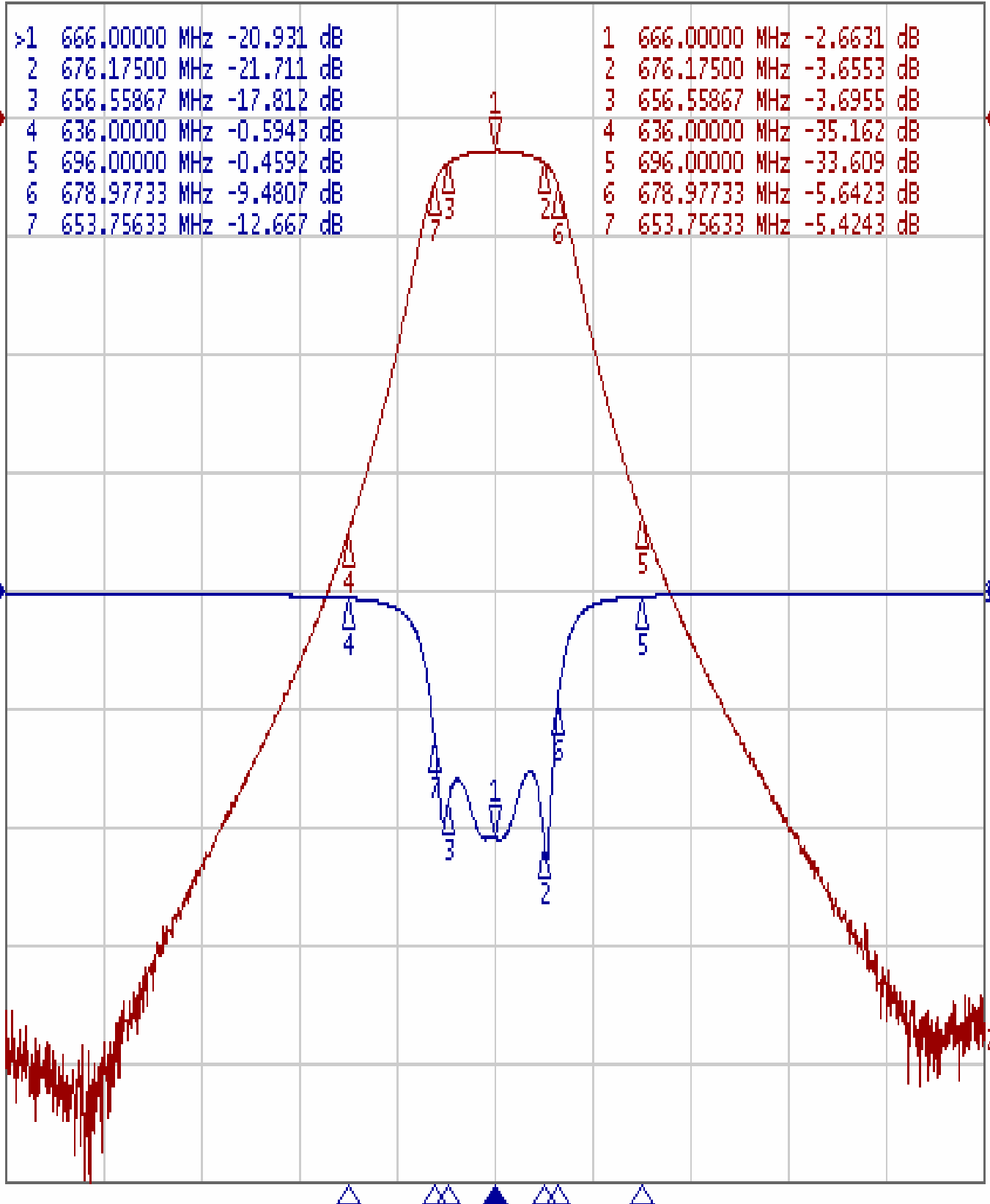
Form10-7H4E Vision D

RP (PH)

# Performance-TF64325E-666M

## 200903078BD

▶ Tr1 S11 Log Mag 10.00dB/ Ref 0.000dB [F2]  
Tr2 S21 Log Mag 10.00dB/ Ref 0.000dB [F2]



1 Center 666 MHz

IFBW 10 kHz

Span 200 MHz Cor !