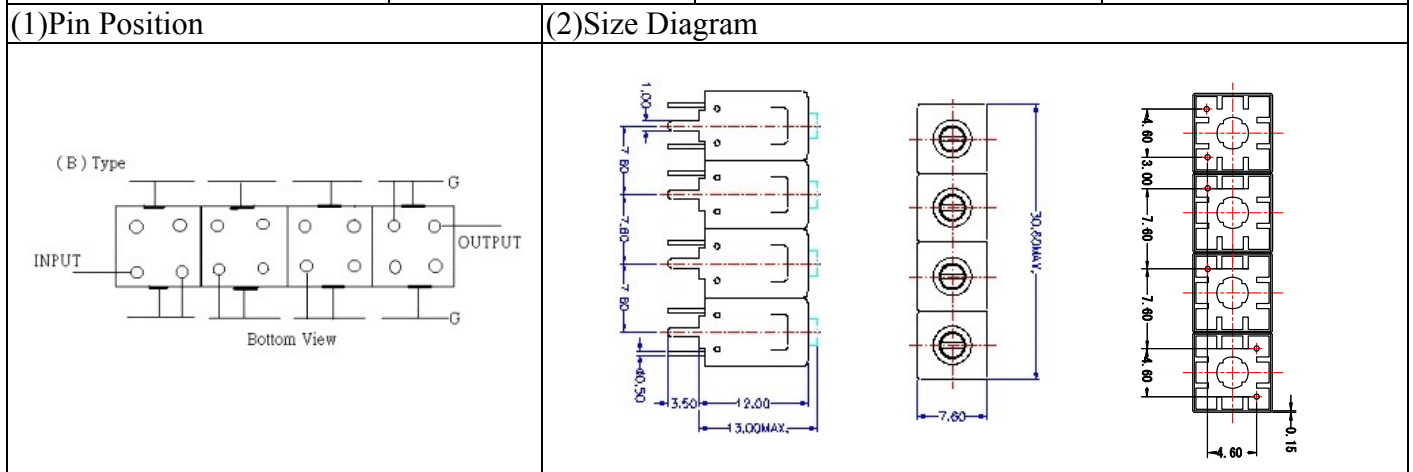
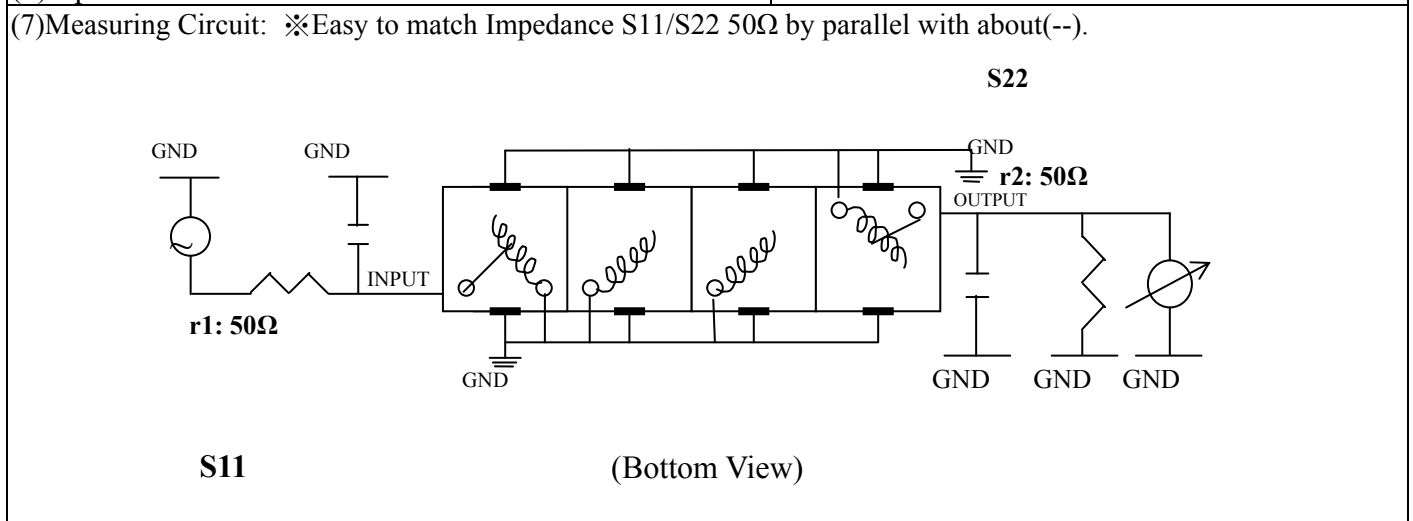


# VHF UHF Helical Filter Specification Sheet

Customer Name		Temwell's Part No.	TF64250B-518M
Approval No. /dated	201703057CD	Temwell's Print Name	64250B 518M
Work Instruction No.	201703057CD	Date	Jun.06.2017



(3) Electric Characteristic			
Item		Specify	Performance
Center Freq.(Fo) +/- 0.5 %		518 MHz	518 MHz
Insertion Loss		Typ. 2.0 dB	1.04 dB
-3 dB Bandwidth		Typ. 60 MHz	65.5 MHz
Sensitivity (Attenuation)	Fo - 100 MHz	Typ. 52 dBc	57 dBc
	Fo +100 MHz	Typ. 31 dBc	36 dBc
	Fo - ( )MHz	Typ. dB	dB
	Fo +( )MHz	Typ. dB	dB
Return Loss		Min. 12 dB	20.9 dB
Ripple		< 1 dB	dB
Impedance		In / Out : 50 Ω	In / Out : 50 Ω
(4) Torque for Tuning Screw		> 60gf · cm	
(5) Temperature Condition:			
Operating Temperature		0°C ~ +60°C	
Storage Temperature		-20°C ~ +70°C	
(6) Input Power		> 1Watt	

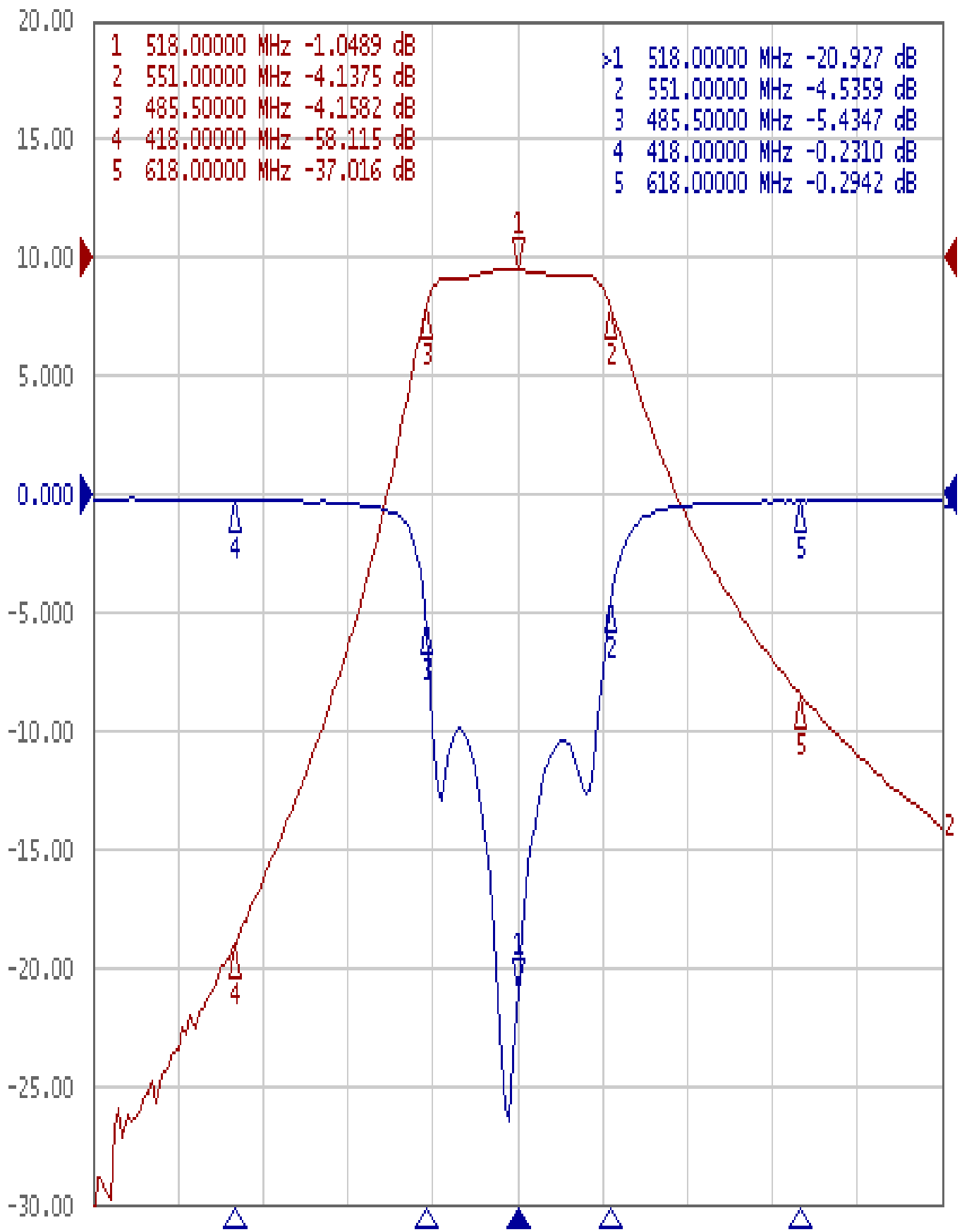


Approval	Supervisor	Designer	Aperture size
C.Y.Chang	C.K.Chang	W.W.Wang	7H4S(4*7.5)(7.57) 7H046RB5.5(J2)
TEMWELL CORPORATION			

# Performance-TF64250B-518M

## 201703057CD

Tr1 S11 Log Mag 5.000dB/ Ref 0.000dB [F2]  
Tr2 S21 Log Mag 10.00dB/ Ref 0.000dB [F2]



1 Center 518 MHz

IFBW 70 kHz

Span 300 MHz Cor !