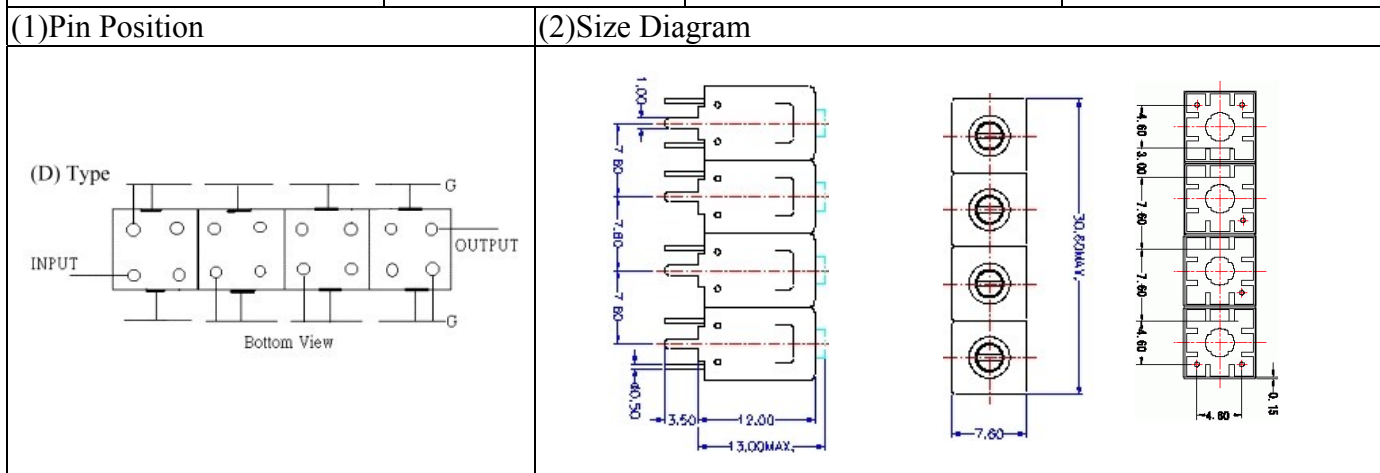


# VHF UHF Helical Filter Specification Sheet

Customer Name		Temwell's Part No.	TF64247D-485M
Approval No. /dated	0903019CD	Customer's Print Name	64247D 485M
Work Instruction No.	200903019CD	Date	Mar.09.2009



(3) Electric Characteristic

Item	Specify	Performance
Center Freq.(Fo ) +/- 0.5 %	485 MHz	485 MHz
Insertion Loss	Typ 2.5 dB	1.75 dB
-3 dB Bandwidth	Typ. 25 MHz	33.3 MHz
Sensitivity (Attenuation)	Fo - 50 MHz	Typ. 45 dBc
	Fo + 50 MHz	Typ. 29 dBc
	Fo - ( )MHz	Typ. dBc
	Fo +( )MHz	Typ. dBc
Return Loss	Min. 12 dB	21.8 dB
Ripple	< 1 dB	dB
Impedance	In / Out : 50 Ω	In / Out : 50 Ω

(4) Torque for Tuning Screw > 100gf · cm

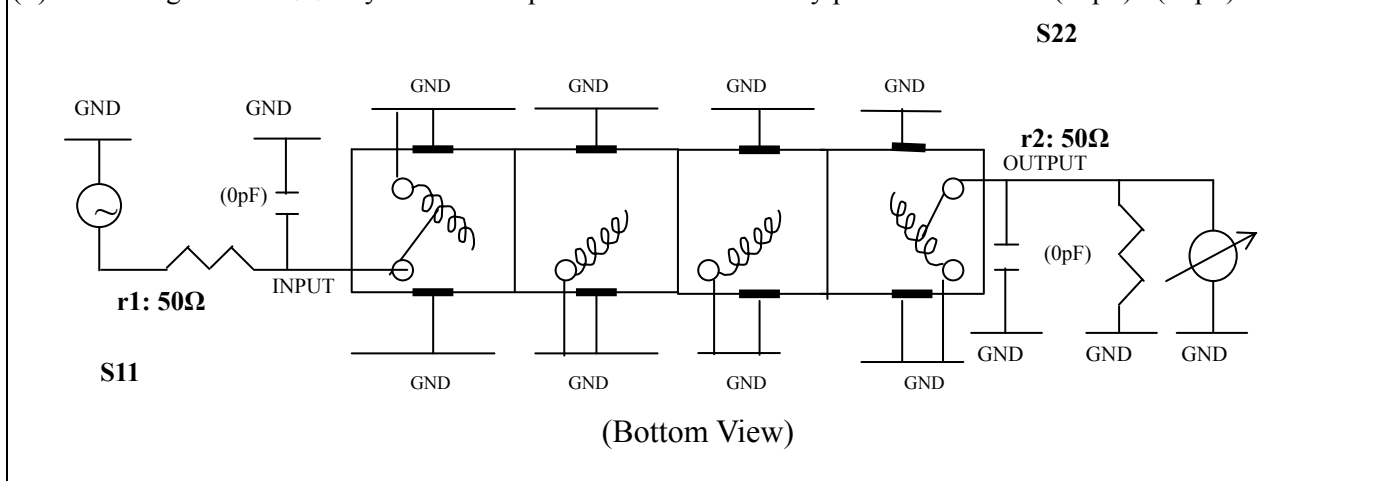
(5) Temperature Condition:

Operating Temperature 0°C ~ +60°C

Storage Temperature -20°C ~ +70°C

(6) Input Power > 1Watt

(7) Measuring Circuit: ※Easy to match Impedance S11/S22 50Ω by parallel with about( 0 pF) / ( 0 pF).



Approval	Supervisor	Designer	Aperture size
C.Y.Chang	C.K.Chang	P.H.Chiang	7H4S(4*6.5)(6.55) 7H046LB5

TEMWELL CORPORATION

TEMWELL

RP(PH)

# Performance-TF64247D-485M

200903019CD

Tr1 S11 Log Mag 10.00dB/ Ref 0.000dB [F2]  
Tr2 S21 Log Mag 10.00dB/ Ref 0.000dB [F2]

