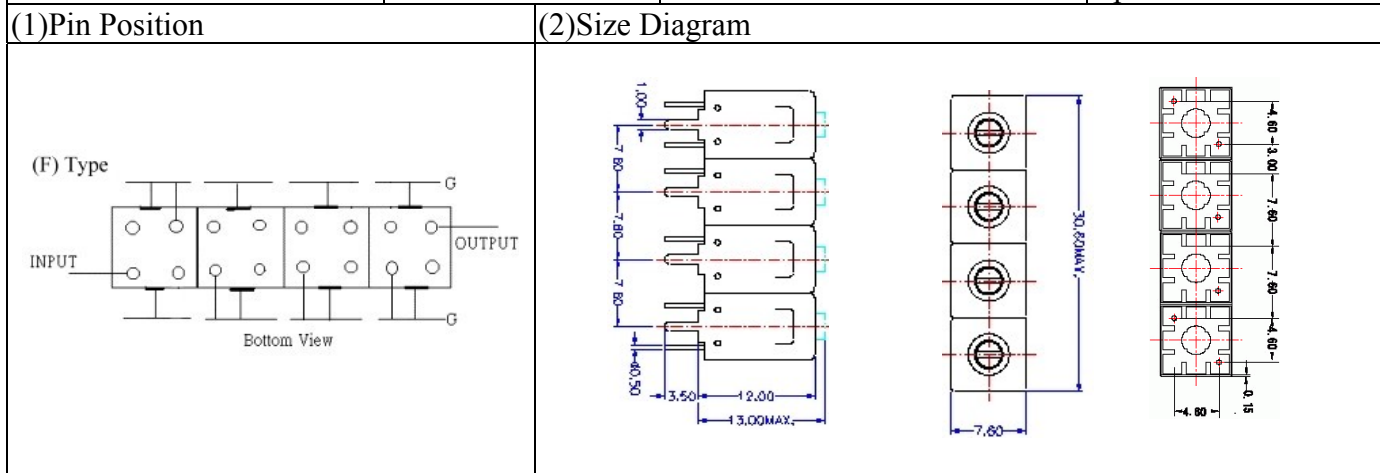


VHF UHF Helical Filter Specification Sheet

Customer Name		Temwell's Part No.	TF64239F-390M
Approval No. /dated	0803062APR	Acceptable Specify Fo Range	356~400MHz
Work Instruction No.	0803062CD	Date	Apr.16.2008



(3) Electric Charasteric

Item	Specify	Performance	
Center Freq.(Fo) +/- 0.5 %	390 MHz	390 MHz	
Insertion Loss	Typ. 3.0 dB	2.22 dB	
-3 dB Bandwidth	Typ. 16 MHz	20.7 MHz	
Sensitivity (Attenuation)	Fo - (30) MHz	Typ. 45 dBc	48 dBc
	Fo + (30) MHz	Typ. 29 dBc	32 dBc
	Fo - (50) MHz	Typ. 67 dBc	70 dBc
	Fo + (50) MHz	Typ. 44 dBc	47 dBc
Return Loss	Min. 12 dB	26.1 dB	
Ripple	< 1 dB	dB	
Impedance	In / Out : 50 Ω	In / Out : 50 Ω	

(4) Torque for Tuning Screw

> 100gf • cm

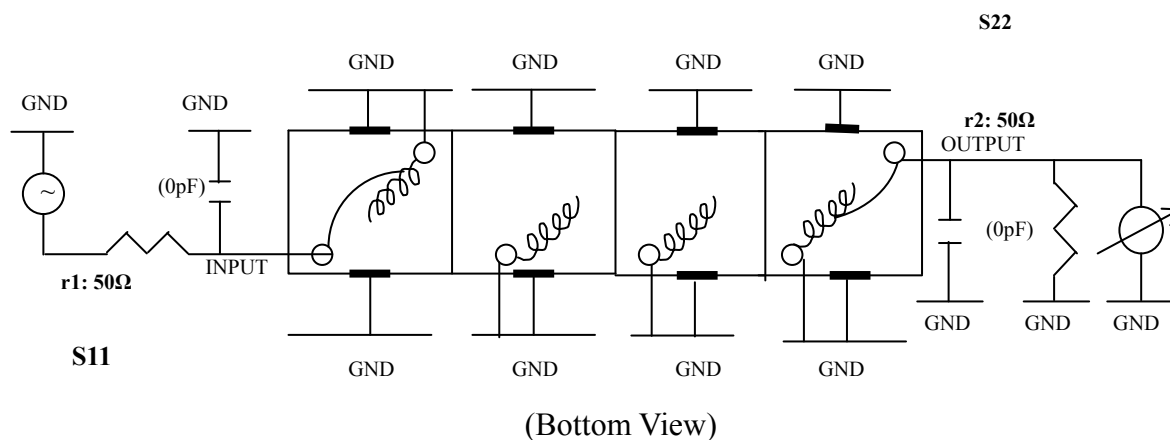
(5) Temperature Condition:

Operating Temperature	0°C ~ +60°C
Storage Temperature	-20°C ~ +70°C

(6) Input Power

> 1Watt

(7) Measuring Circuit: ※Easy to match Impedance S11/S22 50Ω by parallel with about(0pF) / (0pF).



Approval	Supervisor	Designer	Aperture size
C.Y.Chang	C.S.Chang	P.H.Chiang	7H4(4*5.5F)(5.0B) 7H046LB5

TEMWELL CORPORATION

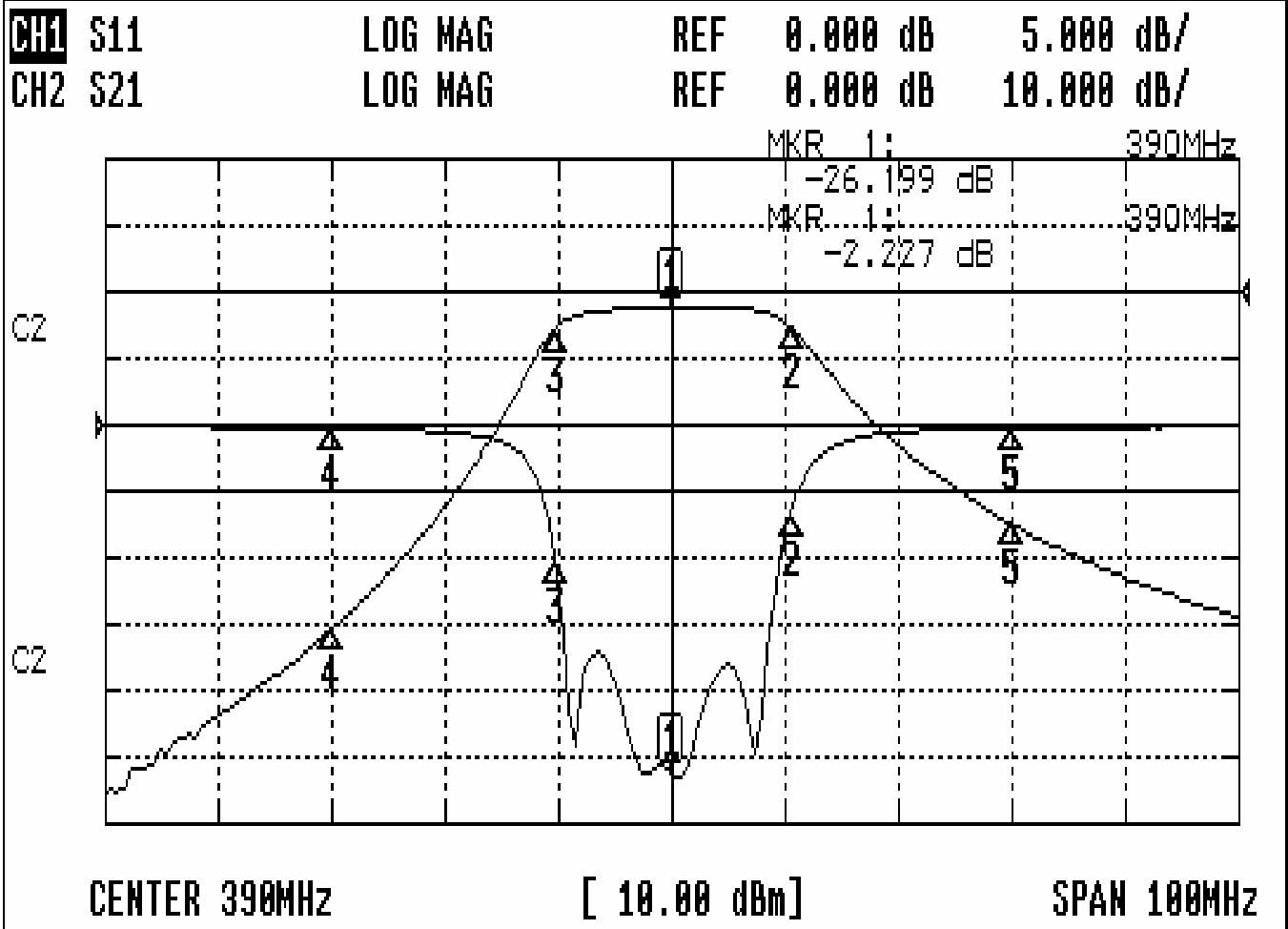
TEMWELL

Form10-7H4F Vision D

RB:P.H

Performance-TF64239F-390M

0803062CD



CH1 MARKER LIST

1:	390.000MHz	-26.199 dB
2:	400.500MHz	-16.687 dB
3:	379.833MHz	-10.506 dB
4:	360.000MHz	-0.237 dB
5:	420.000MHz	-0.239 dB

CH2 MARKER LIST

1:	390.000MHz	-2.224 dB
2:	400.500MHz	-11.262 dB
3:	379.833MHz	-11.346 dB
4:	360.000MHz	-10.648 dB
5:	420.000MHz	-34.926 dB