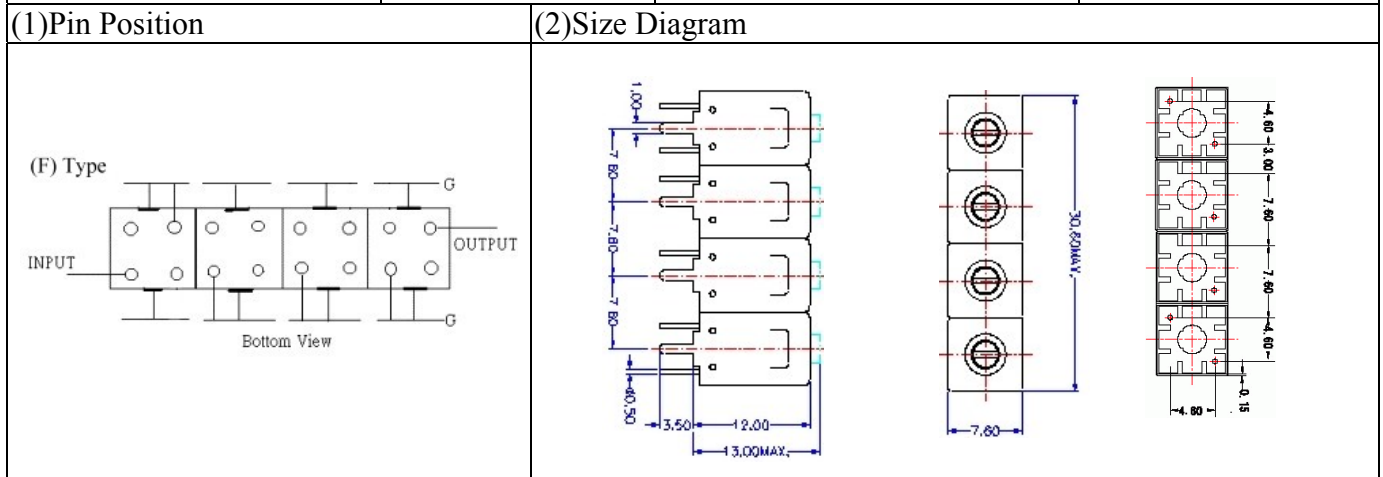


VHF UHF Helical Filter Specification Sheet

Customer Name		Temwell's Part No.	TF64238F-370M
Approval No. /dated	0803061APR	Acceptable Specify Fo Range	356~400MHz
Work Instruction No.	0803061CD	Date	Mar.27.2008



(3) Electric Characteristic

Item	Specify	Performance
Center Freq.(Fo) +/- 0.5 %	370 MHz	370 MHz
Insertion Loss	Typ. 3.0 dB	2.22 dB
-3 dB Bandwidth	Typ. 13 MHz	16.9 MHz
Sensitivity (Attenuation)	Fo - (30) MHz	Typ. 49 dBc
	Fo + (30) MHz	Typ. 33 dBc
	Fo - () MHz	Typ. dBc
	Fo + () MHz	Typ. dBc
Return Loss	Min. 12 dB	26.4 dB
Ripple	< 1 dB	dB
Impedance	In / Out : 50 Ω	In / Out : 50 Ω
(4) Torque for Tuning Screw	> 100gf • cm	

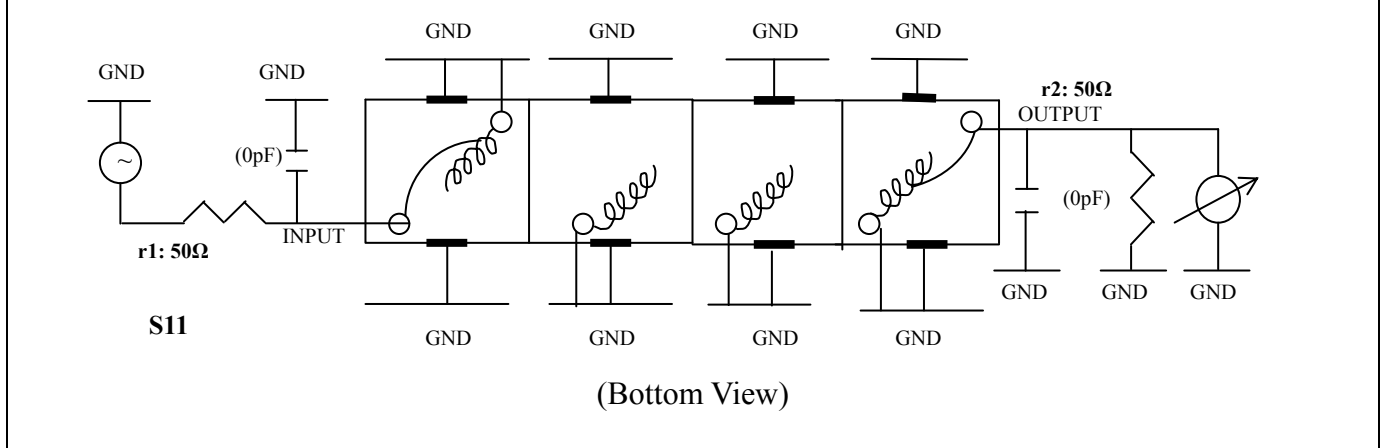
(5) Temperature Condition:

Operating Temperature	0°C ~ +60°C
Storage Temperature	-20°C ~ +70°C

(6) Input Power

> 1Watt

(7) Measuring Circuit: ※Easy to match Impedance S11/S22 50Ω by parallel with about(0pF) / (0pF).

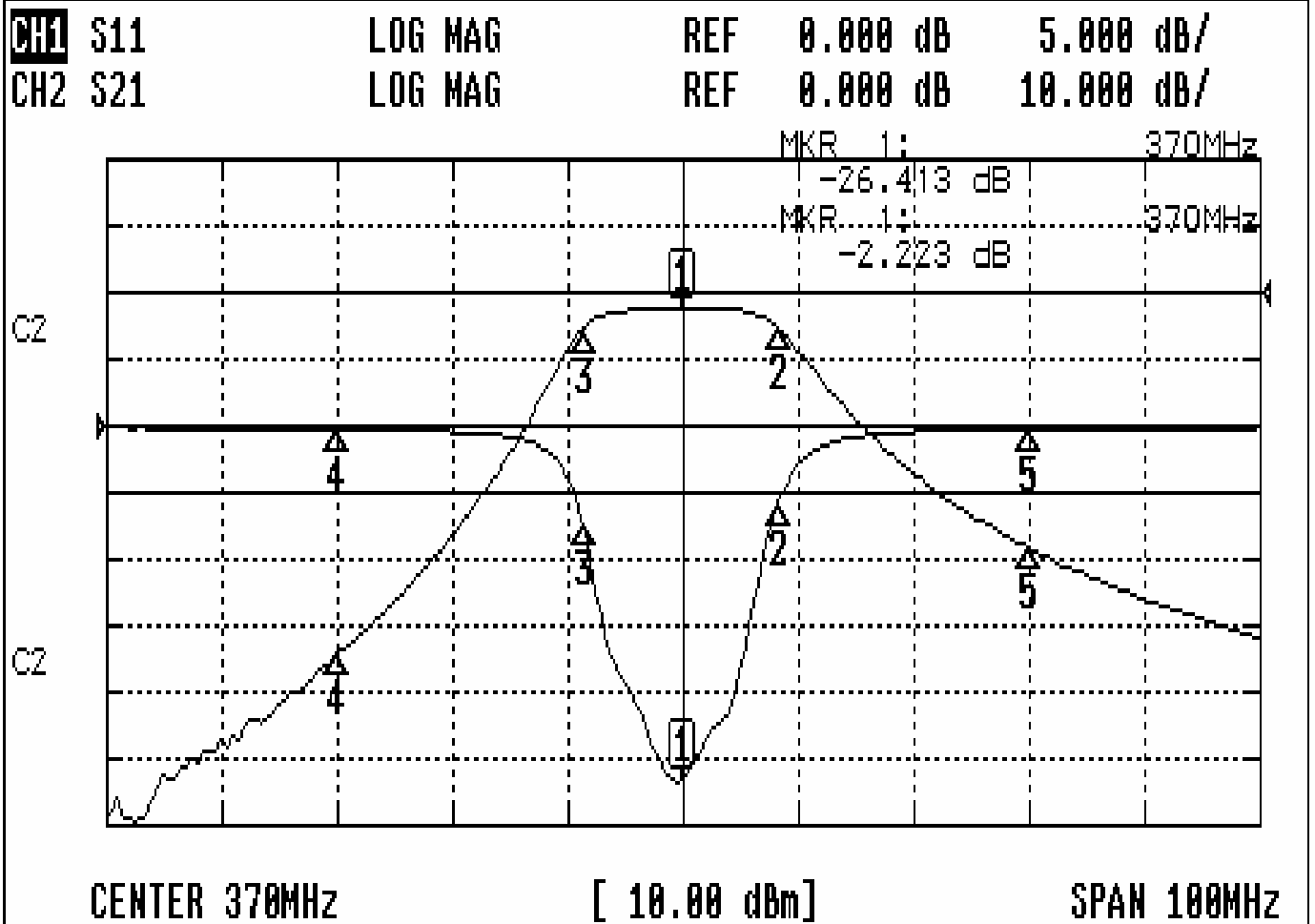


Approval	Supervisor	Designer	Aperture size
C.Y.Chang	C.S.Chang	P.H.Chain	7H4(4*5.5)F(5.0B) 7H046LB5

TEMWELL CORPORATION

Performance-TF64238F-370M

0803061CD



CH1 MARKER LIST

1:	370.000MHz	-26.414 dB
2:	378.250MHz	-5.877 dB
3:	361.333MHz	-7.305 dB
4:	340.000MHz	-0.234 dB
5:	400.000MHz	-0.238 dB

CH2 MARKER LIST

1:	370.000MHz	-2.223 dB
2:	378.250MHz	-1.246 dB
3:	361.333MHz	-1.350 dB
4:	340.000MHz	-34.381 dB
5:	400.000MHz	-38.274 dB