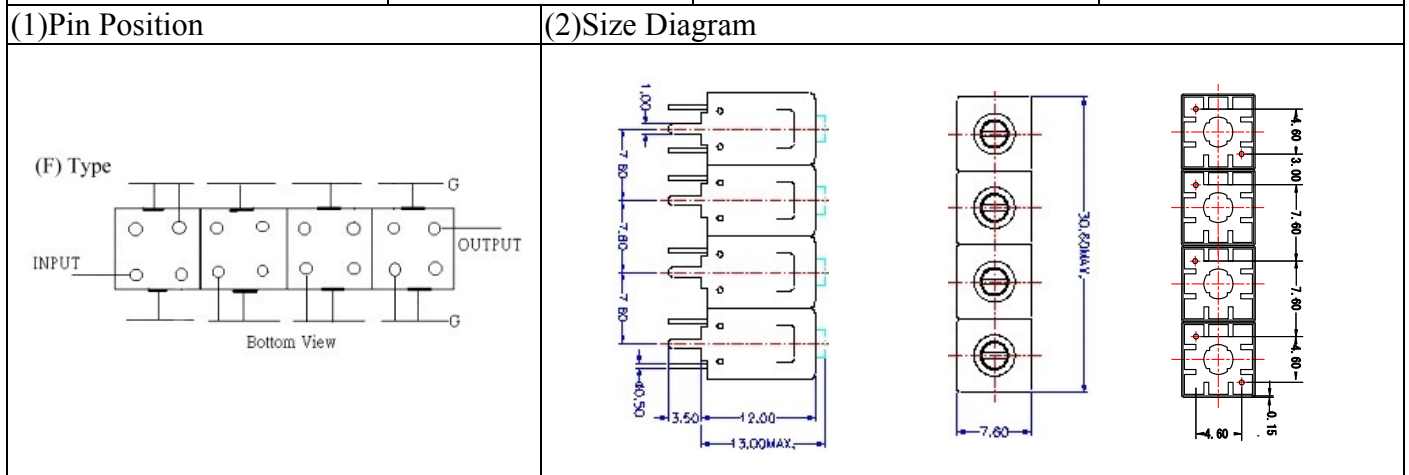


# VHF UHF Helical Filter Specification Sheet

Customer Name		Temwell's Part No.	TF64232F-480M
Approval No. /dated	201703040CD	Temwell's Print name	64232F 480M
Work Instruction No.	201703040CD	Date	Jun.13.2017



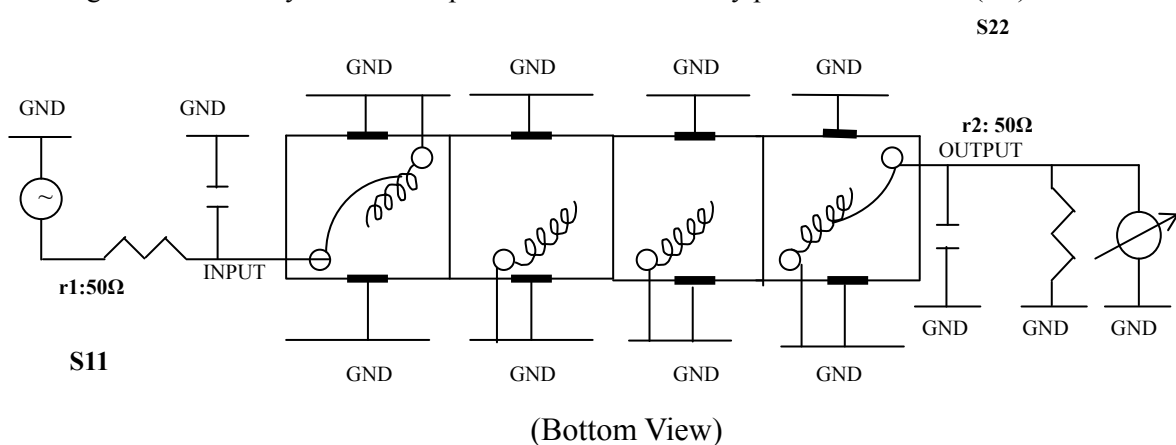
### (3)Electric Chararistic

Item	Specify	Performance	
Center Freq.(Fo) +/- 0.5 %	480 MHz	480 MHz	
Insertion Loss	Typ. 3.5 dB	2.91 dB	
-3 dB Bandwidth	Typ. 12 MHz	16.6 MHz	
Sensitivity (Attenuation)	Fo - (50) MHz	Typ. 65 dBc	75 dBc
	Fo + (50) MHz	Typ. 50 dBc	55 dBc
	Fo - ( ) MHz	Typ. dBc	dBc
	Fo + ( ) MHz	Typ. dBc	dBc
Return Loss	Min. 12 dB	28.2 dB	
Ripple	< 1 dB	dB	
Impedance	In / Out : 50 Ω	In / Out : 50 Ω	
(4)Torque for Tuning Screw	> 60gf · cm		

### (5)Temperature Condition:

Operating Temperature	0°C ~ +60°C
Storage Temperature	-20°C ~ +70°C
(6)Input Power	> 1Watt

### (7) Measuring Circuit: ※Easy to match Impedance S11/S22 50Ω by parallel with about( -- ).



Approval	Supervisor	Designer	Aperture size
C.Y.Chang	C.K.Chang	W.W.Wang	7H4S(4*5.5)(5.58) 7H046LB4.3 聚 3

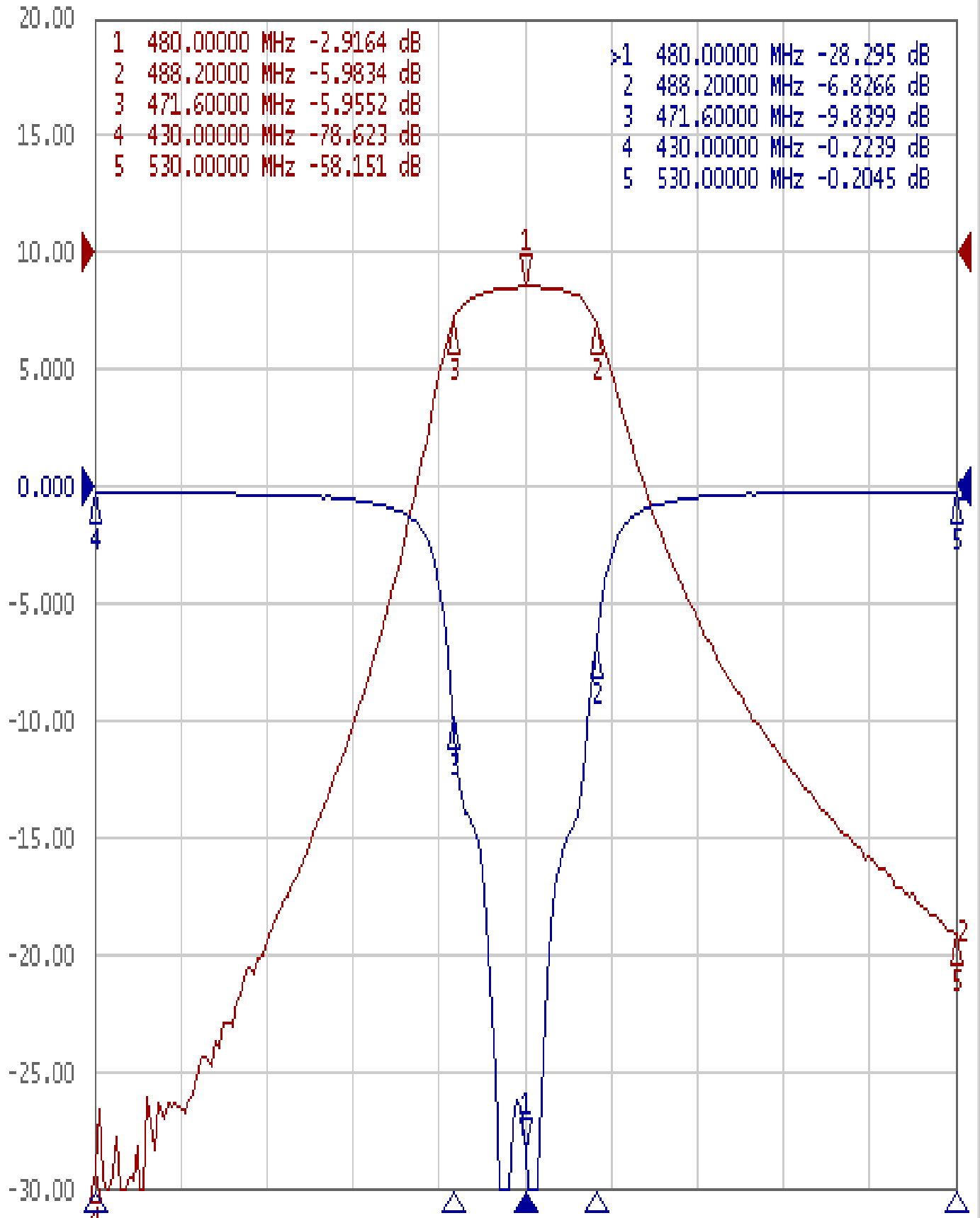
TEMWELL CORPORATION

# Performance-TF64232F-480M

## 201703040CD

Tr1 S11 Log Mag 5.000dB/ Ref 0.000dB [F2]

Tr2 S21 Log Mag 10.00dB/ Ref 0.000dB [F2]



1 Center 480 MHz

IFBW 70 kHz

Span 100 MHz

Cor