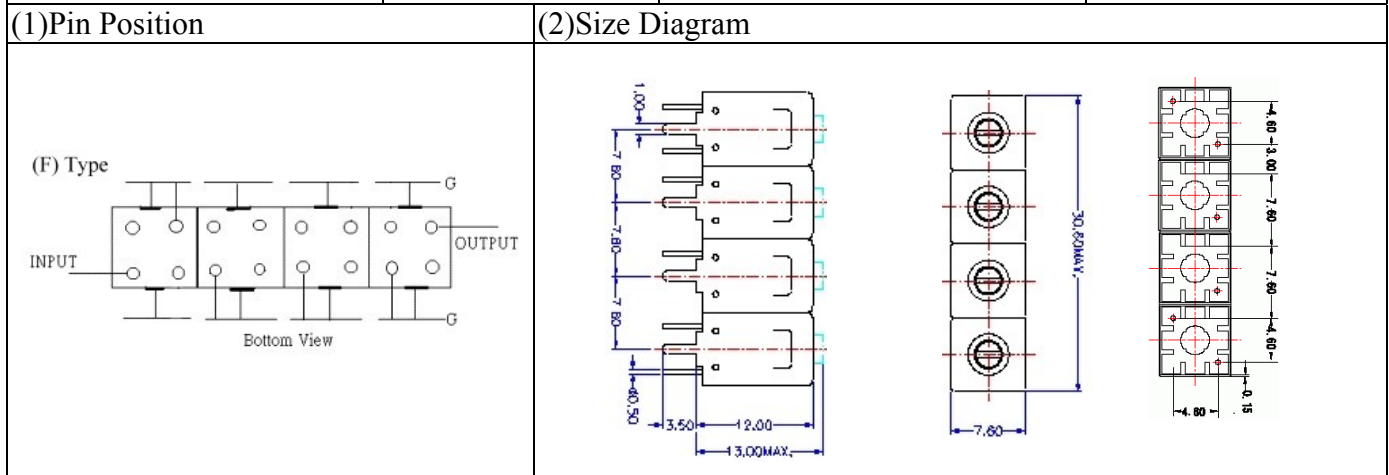


VHF UHF Helical Filter Specification Sheet

Customer Name		Temwell's Part No.	TF64230F-172.5M
Approval No. /dated	0803016APR	Acceptable Specify Fo Range	166~195MHz
Work Instruction No.	0803016CD	Date	Mar.08.2008



(3) Electric Charasteric

Item	Specify	Performance
Center Freq.(Fo) +/- 0.5 %	172.5 MHz	172.5 MHz
Insertion Loss	Typ. 3.5 dB	2.67 dB
-3 dB Bandwidth	Typ. 9 MHz	11.2 MHz
Sensitivity (Attenuation)	Fo - (20) MHz	Typ. 55 dBc
	Fo + (20) MHz	Typ. 36 dBc
	Fo - () MHz	Typ. dBc
	Fo + () MHz	Typ. dBc
Return Loss	Min. 12 dB	18.8 dB
Ripple	< 1 dB	dB
Impedance	In / Out : 50 Ω	In / Out : 50 Ω

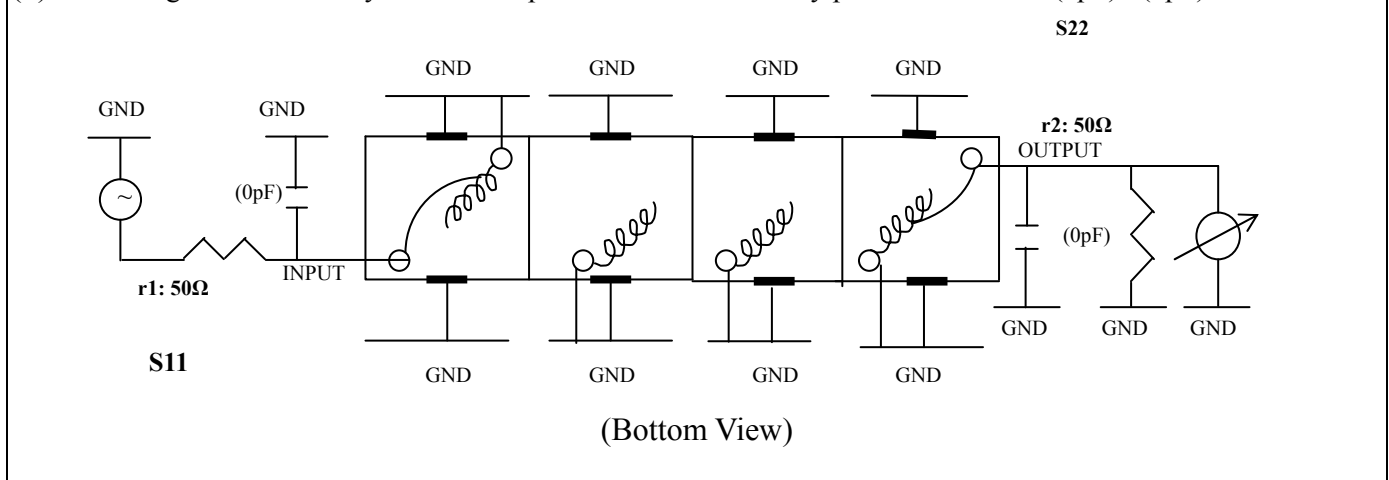
(4) Torque for Tuning Screw > 100gf · cm

(5) Temperature Condition:

Operating Temperature	0°C ~ +60°C
Storage Temperature	-20°C ~ +70°C

(6) Input Power > 1Watt

(7) Measuring Circuit: ※Easy to match Impedance S11/S22 50Ω by parallel with about(0pF) / (0pF).



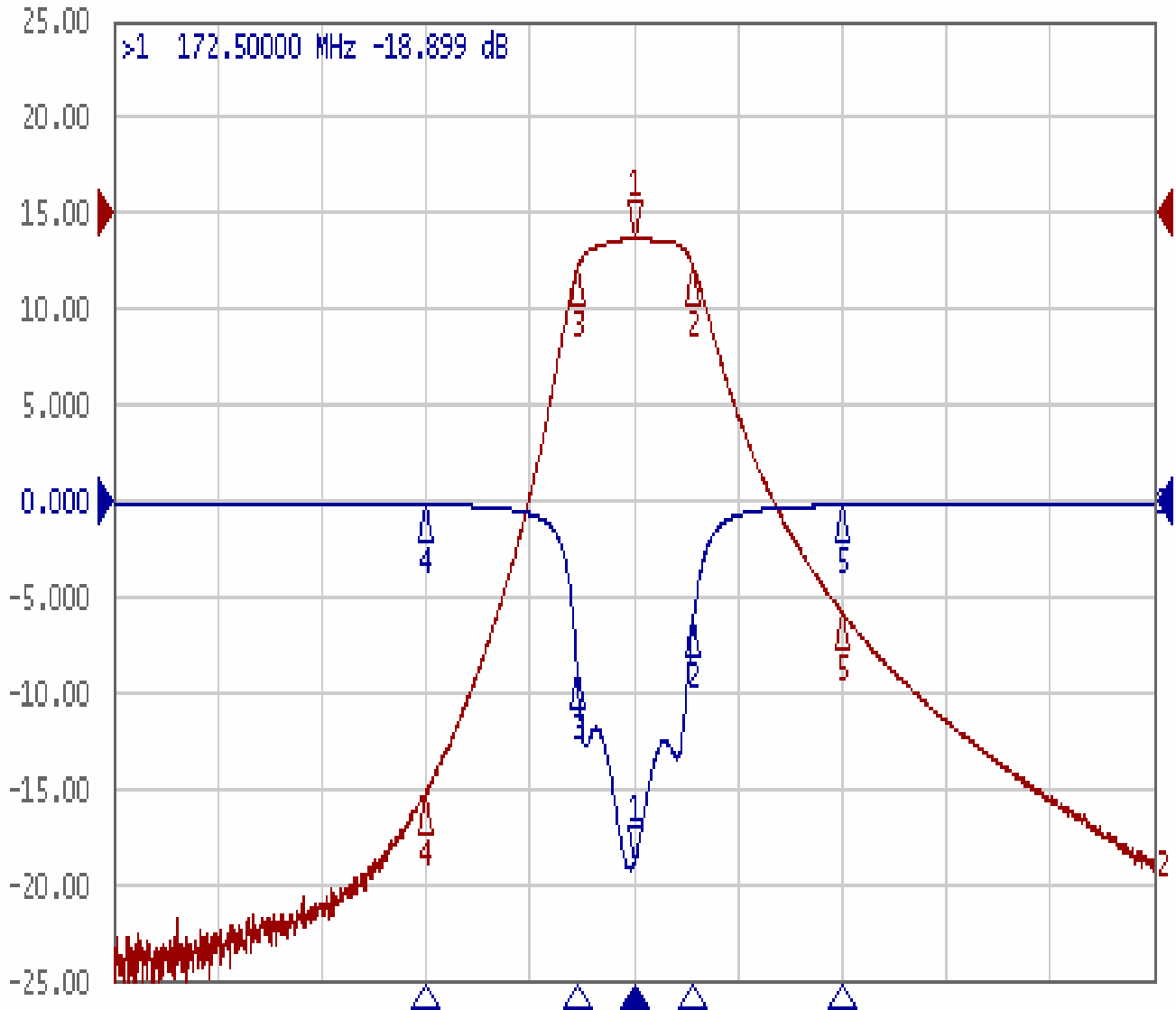
Approval	Supervisor	Designer	Aperture size
C.Y.Chang	C.S.Chang	C.S.Chang	7H4(4*7.5)F 7H024LB4

TEMWELL CORPORATION

Performance-TF64230F-172.5M

0803016CD

▶ Tr1 S11 Log Mag 5.000dB/ Ref 0.000dB [F3]
Tr2 S21 Log Mag 10.00dB/ Ref 0.000dB [F3]



1 Center 172.5 MHz IFBW 10 kHz Span 100 MHz

Ch1	Tr1	S11	>1	172.50000	MHz	-18.899	dB
Ch1	Tr1	S11	2	178.22500	MHz	-6.1058	dB
Ch1	Tr1	S11	3	167.05400	MHz	-8.9467	dB
Ch1	Tr1	S11	4	152.50000	MHz	-0.2058	dB
Ch1	Tr1	S11	5	192.50000	MHz	-0.2416	dB
Ch1	Tr2	S21	1	172.50000	MHz	-2.6735	dB
Ch1	Tr2	S21	2	178.22500	MHz	-5.6513	dB
Ch1	Tr2	S21	3	167.05400	MHz	-5.6655	dB
Ch1	Tr2	S21	4	152.50000	MHz	-60.736	dB
Ch1	Tr2	S21	5	192.50000	MHz	-41.695	dB