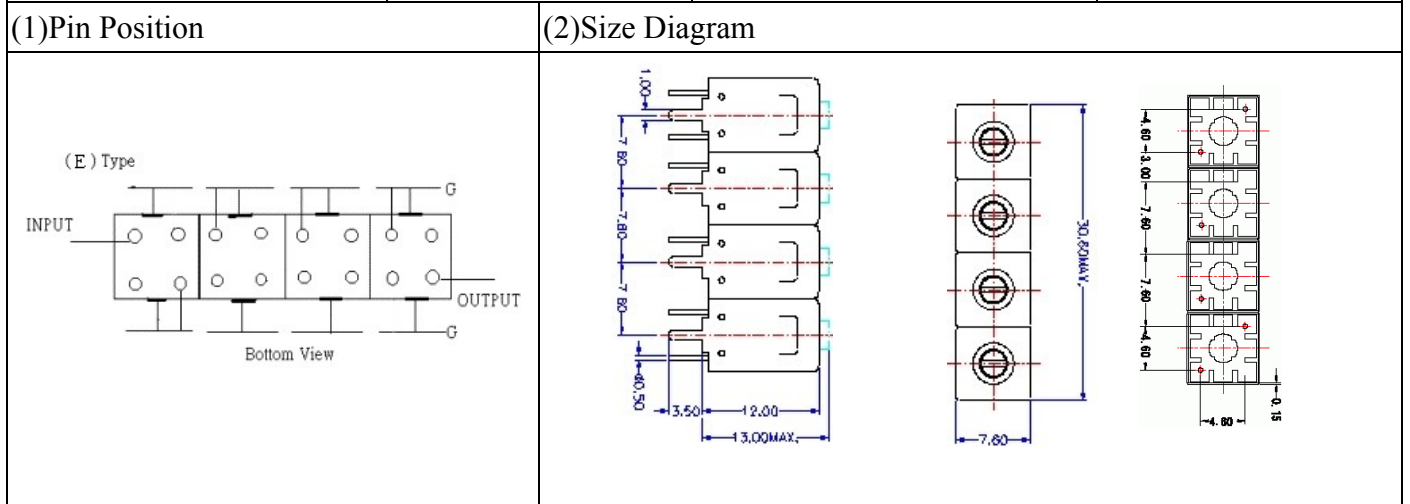


# VHF UHF Helical Filter Specification Sheet

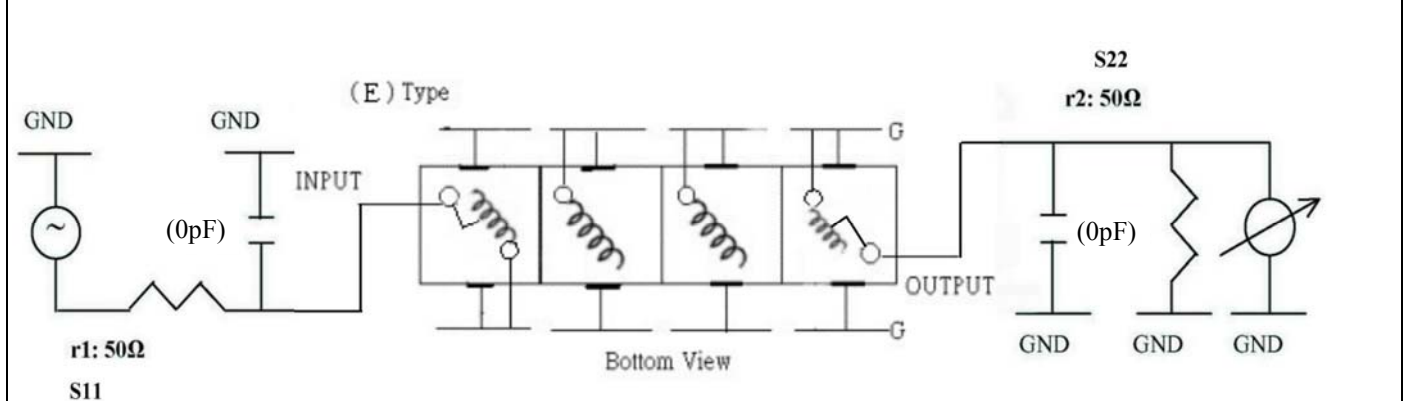
Customer Name		Temwell's Part No.	TF64229E-152M
Approval No. /dated	0803047APR	Acceptable Fo Specify Range	146~165MHz
Work Instruction No.	0803047CD	Date	Mar.13.2008



(3) Electric Characteristic			
Item		Specify	Performance
Center Freq.(Fo) +/- 05 %		152 MHz	152 MHz
Insertion Loss		Typ. 3.0 dB	2.22 dB
-3 dB Bandwidth		Typ. 12 MHz	14.7 MHz
Sensitivity (Attenuation)	Fo - 30 MHz	Typ. 55 dBc	58 dBc
	Fo + 30 MHz	Typ. 53 dBc	56 dBc
	Fo - ( )MHz	Typ. dBc	dBc
	Fo +( )MHz	Typ. dBc	dBc
Return Loss		Min. 12 dB	22.2 dB
Ripple		< 1 dB	dB
Impedance		In / Out : 50 Ω	In / Out : 50 Ω
(4) Torque for Tuning Screw		> 100gf · cm	

(5) Temperature Condition:	
Operating Temperature	0°C ~ +60°C
Storage Temperature	-20°C ~ +70°C
(6) Input Power	> 1Watt

(7) Measuring Circuit: ※Easy to match Impedance S11/S22 50Ω by parallel with about( 0pF) / ( 0pF)

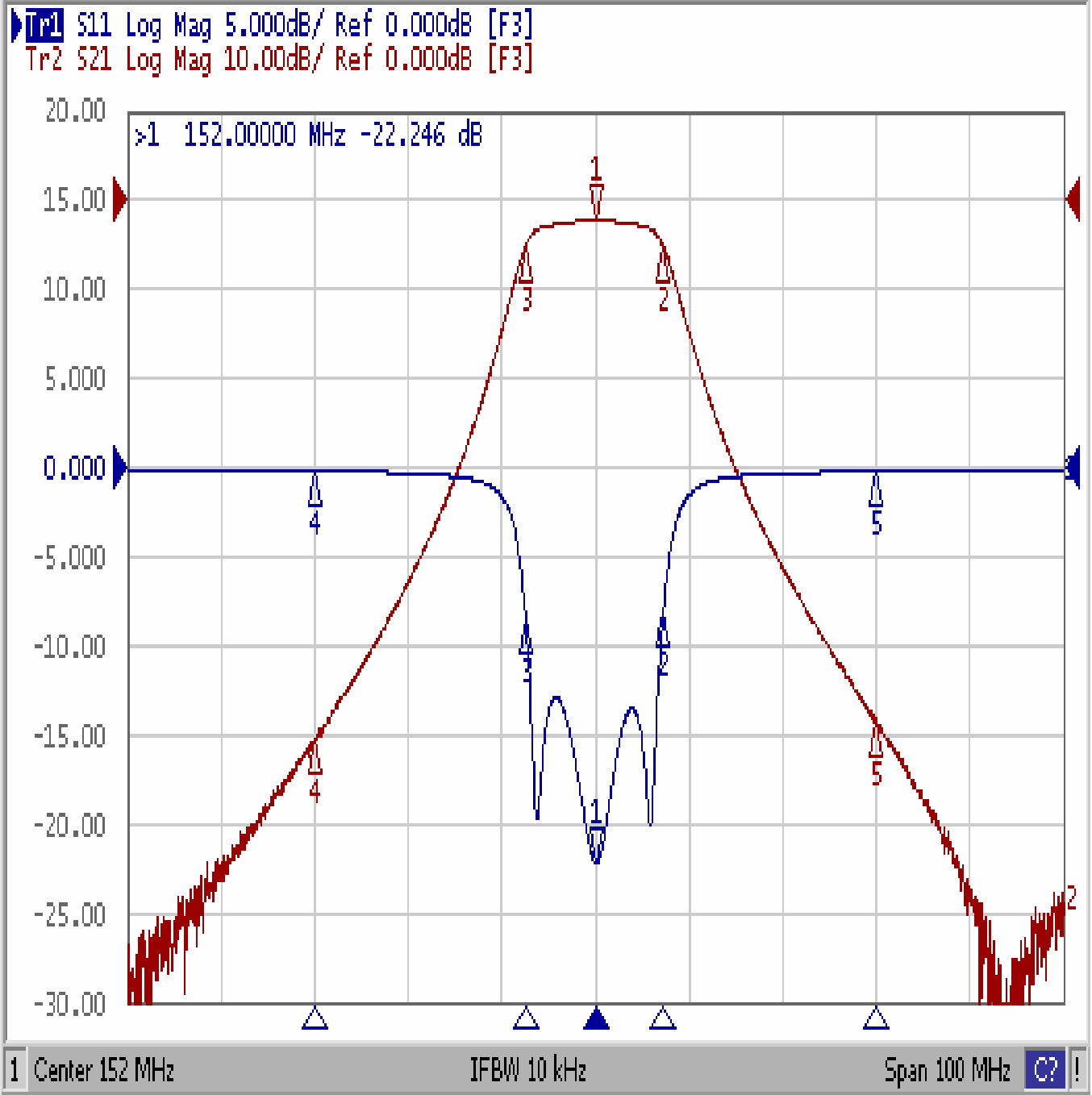


Approval	Supervisor	Designer	Aperture size
C.Y.Chang	C.S.Chang	C.S.Chang	7H4(4*4.65)(B6.5) 7H024LB6.5

TEMWELL CORPORATION

# Performance-TF64229E-152M

## 0803047CD



Ch1	Tr1	S11	>1	152.00000	MHz	-22.246	dB
Ch1	Tr1	S11	2	159.24800	MHz	-8.1008	dB
Ch1	Tr1	S11	3	144.53600	MHz	-8.4519	dB
Ch1	Tr1	S11	4	122.00000	MHz	-0.1991	dB
Ch1	Tr1	S11	5	182.00000	MHz	-0.2321	dB
Ch1	Tr2	S21	1	152.00000	MHz	-2.2204	dB
Ch1	Tr2	S21	2	159.24800	MHz	-5.1685	dB
Ch1	Tr2	S21	3	144.53600	MHz	-5.1464	dB
Ch1	Tr2	S21	4	122.00000	MHz	-60.510	dB
Ch1	Tr2	S21	5	182.00000	MHz	-58.598	dB