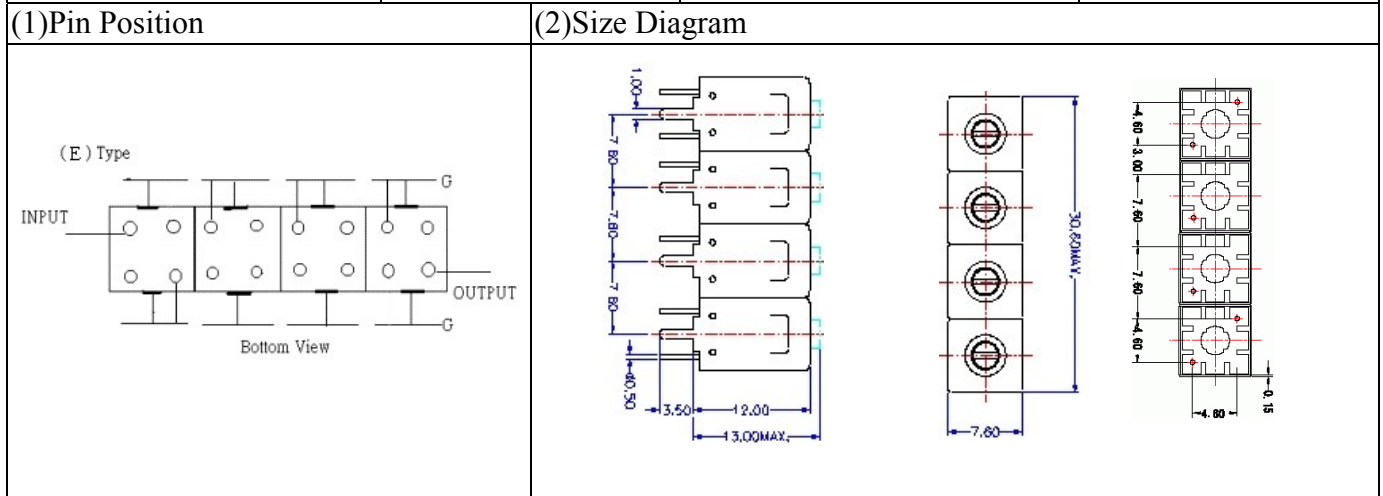


VHF UHF Helical Filter Specification Sheet

Customer Name		Temwell's Part No.	TF64227E-270M
Approval No. /dated	0901083CD	Acceptable Specift Fo Range	64227E 270M
Work Instruction No.	200901083CD	Date	Feb.12.2009



(3) Electric Charasteric

Item	Specify	Performance	
Center Freq.(Fo) +/- 0.5 %	270 MHz	270 MHz	
Insertion Loss	Typ. 3.0 dB	1.72 dB	
-3 dB Bandwidth	Typ. 20 MHz	21.4 MHz	
Sensitivity (Attenuation)	Fo - 50 MHz	Typ. 71 dBc	74 dBc
	Fo + 50 MHz	Typ. 52 dBc	55 dBc
	Fo - ()MHz	Typ. dBc	dBc
	Fo +()MHz	Typ. dBc	dBc
Return Loss	Min. 12 dB	19.0 dB	
Ripple	< 1 dB	dB	
Impedance	In / Out : 50 Ω	In / Out : 50 Ω	

(4) Torque for Tuning Screw > 100gf • cm

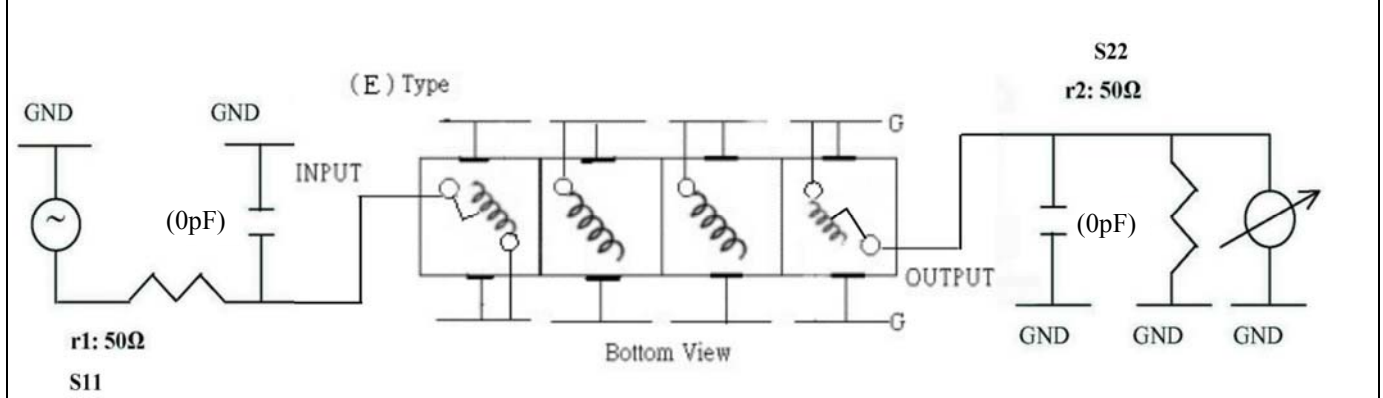
(5) Temperature Condition:

Operating Temperature 0°C ~ +60°C

Storage Temperature -20°C ~ +70°C

(6) Input Power > 1 Watt

(7) Measuring Circuit: ※Easy to match Impedance S11/S22 50Ω by parallel with about(0pF) / (0pF)



Approval C.Y.Chang	Supervisor C.S.Chang	Designer W.W.Wang	Aperture size 7H4(4*6.5F)(6.52) (7H046LB5)
-----------------------	-------------------------	----------------------	--

TEMWELL CORPORATION

