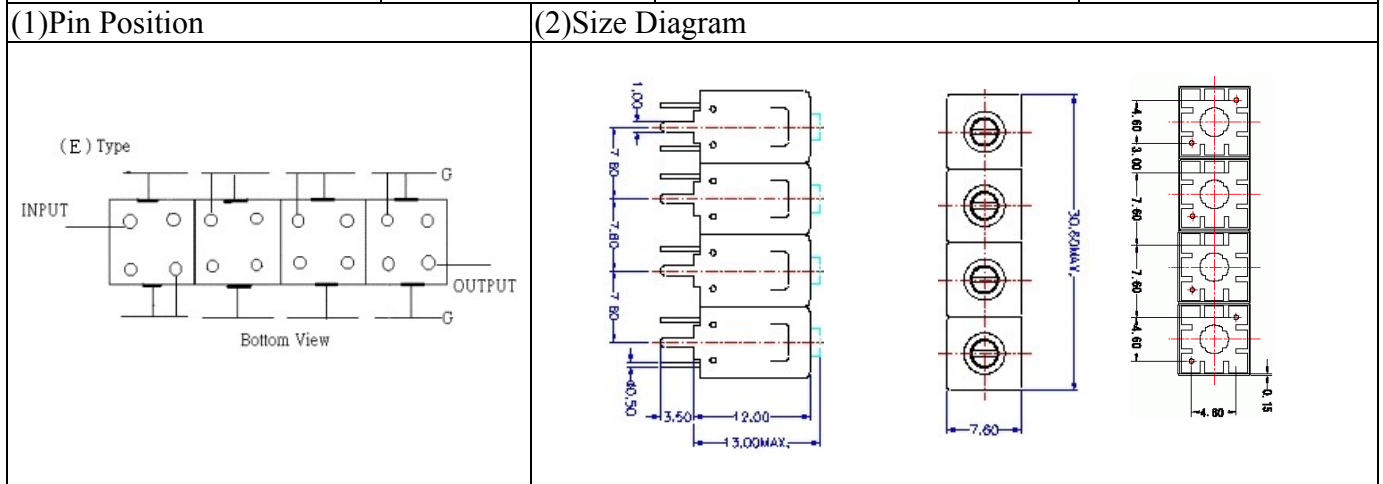


VHF UHF Helical Filter Specification Sheet

Customer Name		Temwell's Part No.	TF64226E-370M
Approval No. /dated	0802014APR	Acceptable Specify Fo Range	356~400MHz
Work Instruction No.	0802014CD	Date	Feb.15.2008



(3) Electric Characteristic

Item	Specify	Performance	
Center Freq.(Fo) +/- 0.5 %	370 MHz	370 MHz	
Insertion Loss	Typ. 2.5 dB	1.51 dB	
-3 dB Bandwidth	Typ. 28 MHz	31.3 MHz	
Sensitivity (Attenuation)	Fo - 40 MHz	Typ. 40 dBc	43 dBc
	Fo + 40 MHz	Typ. 31 dBc	34 dBc
	Fo - ()MHz	Typ. dBc	dBc
	Fo +()MHz	Typ. dBc	dBc
Return Loss	Min. 12 dB	24.9 dB	
Ripple	< 1 dB	dB	
Impedance	In / Out : 50 Ω	In / Out : 50 Ω	

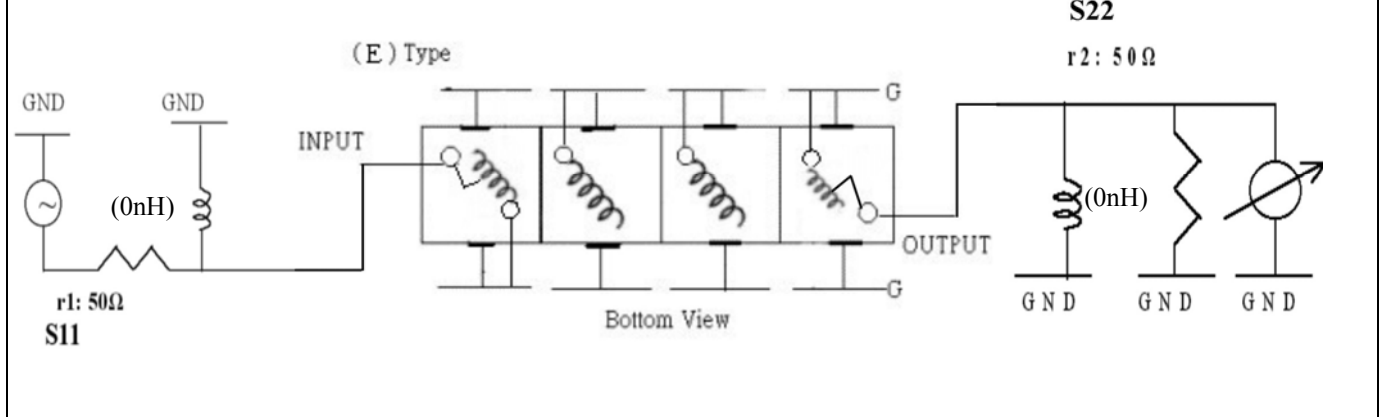
(4) Torque for Tuning Screw > 100gf · cm

(5) Temperature Condition:

Operating Temperature	0°C ~ +60°C
Storage Temperature	-20°C ~ +70°C

(6) Input Power > 1Watt

(7) Measuring Circuit: ※Easy to match Impedance S11/S22 50Ω by parallel with about(0nH) / (0nH)

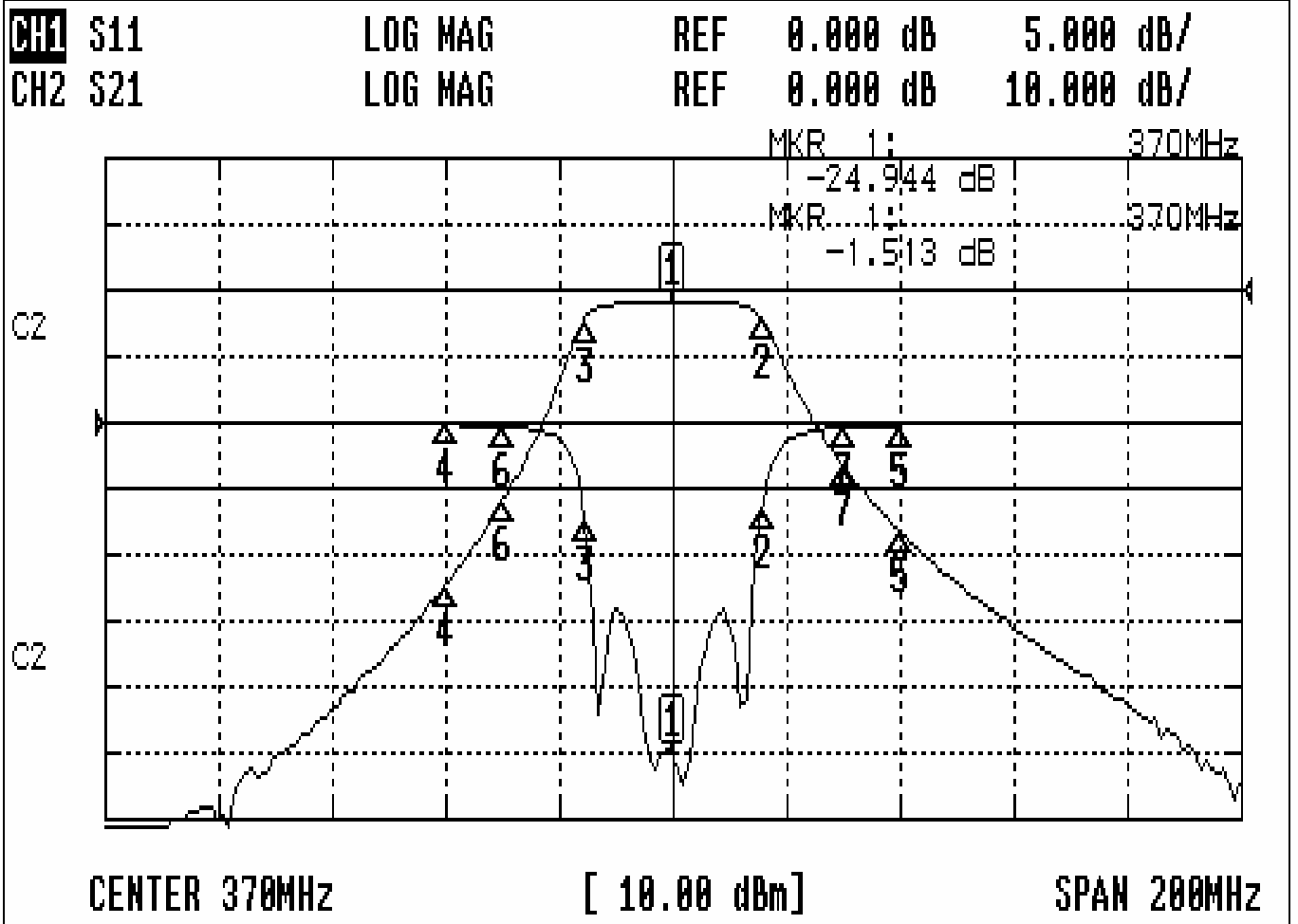


Approval	Supervisor	Designer	Aperture size
C.Y.Chang	C.S.Chang	P.H.Chiang	7H4(4*6.5)F*(5.0B) 7H046LB5

TEMWELL CORPORATION

Performance-TF64226E-370M

0802014CD



CH1 MARKER LIST

Marker	Frequency (MHz)	Magnitude (dB)
1	370.000	-24.944
2	385.833	-6.238
3	354.500	-7.364
4	330.000	-0.119
5	410.000	-0.149
6	340.000	-0.258
7	400.000	-0.308

CH2 MARKER LIST

Marker	Frequency (MHz)	Magnitude (dB)
1	370.000	-1.510
2	385.833	-4.612
3	354.500	-4.541
4	330.000	-44.650
5	410.000	-36.498
6	340.000	-32.026
7	400.000	-26.417