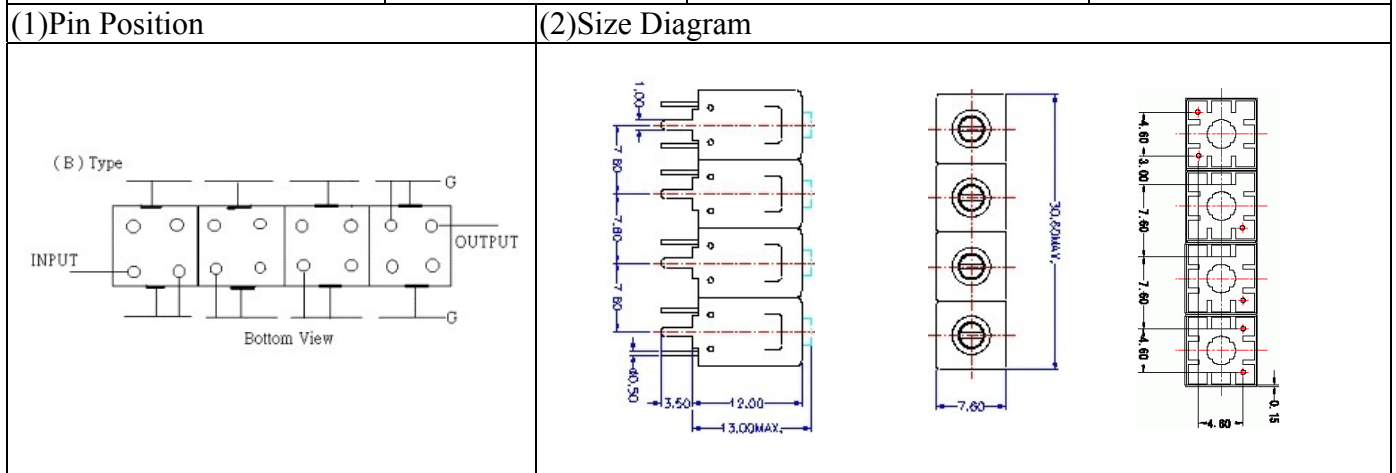


# VHF UHF Helical Filter Specification Sheet

Customer Name		Temwell's Part No.	TF64223B-288M
Approval No. /dated	201206071CD	Temwell's Print Name.	64223B 288M
Work Instruction No.	201206071CD	Date	Jun.19.2012



### (3) Electric Charasteric

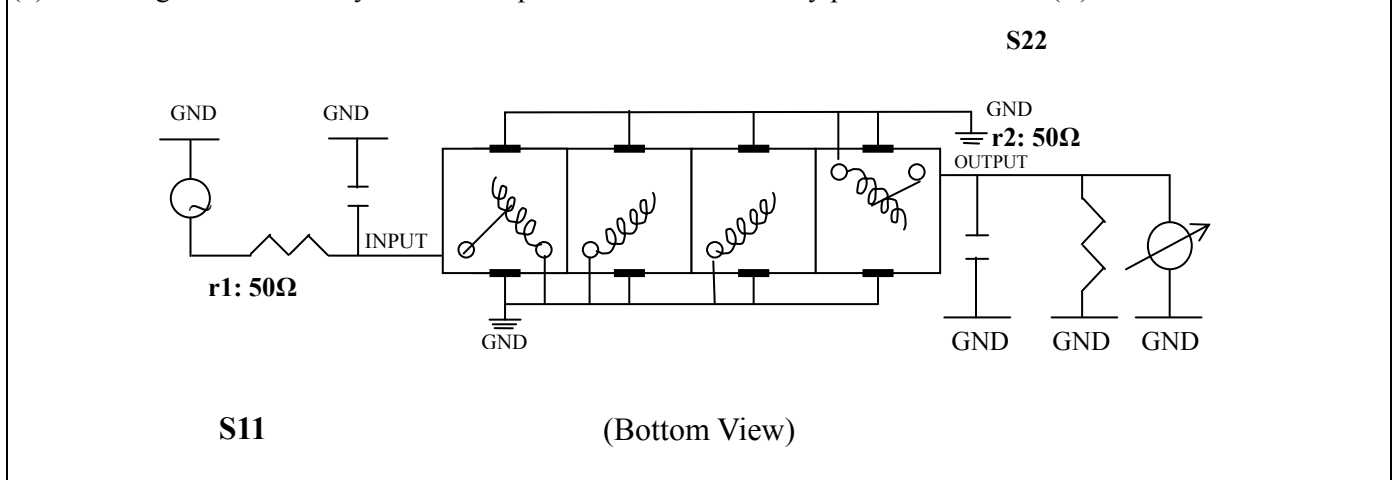
Item	Specify	Performance	
Center Freq.(Fo ) +/- 0.5 %	288 MHz	288 MHz	
Insertion Loss	Typ. 2.0 dB	0.79 dB	
-3 dB Bandwidth	Typ. 80 MHz	83.1 MHz	
Sensitivity (Attenuation )	Fo - 100 MHz	Typ. 49 dBc	52 dBc
	Fo + 100 MHz	Typ. 28 dBc	31 dBc
	Fo - ( )MHz	Typ. dBc	dBc
	Fo +( )MHz	Typ. dBc	dBc
Return Loss	Min. 12 dB	33.1 dB	
Ripple	< 1 dB	dB	
Impedance	In / Out : 50 Ω	In / Out : 50 Ω	
(4) Torque for Tuning Screw	> 60gf • cm		

### (5) Temperature Condition:

Operating Temperature	0°C ~ +60°C
Storage Temperature	-20°C ~ +70°C

### (6) Input Power

(7) Measuring Circuit: ※ Easy to match Impedance S11/S22 50Ω/ by parallel with about(--)



Approval	Supervisor	Designer	Aperture size
C.Y.Chang	C.K.Chang	C.S.Chang	7H4S(4*8.0)(8.02) 7H046LB6.6

TEMWELL CORPORATION

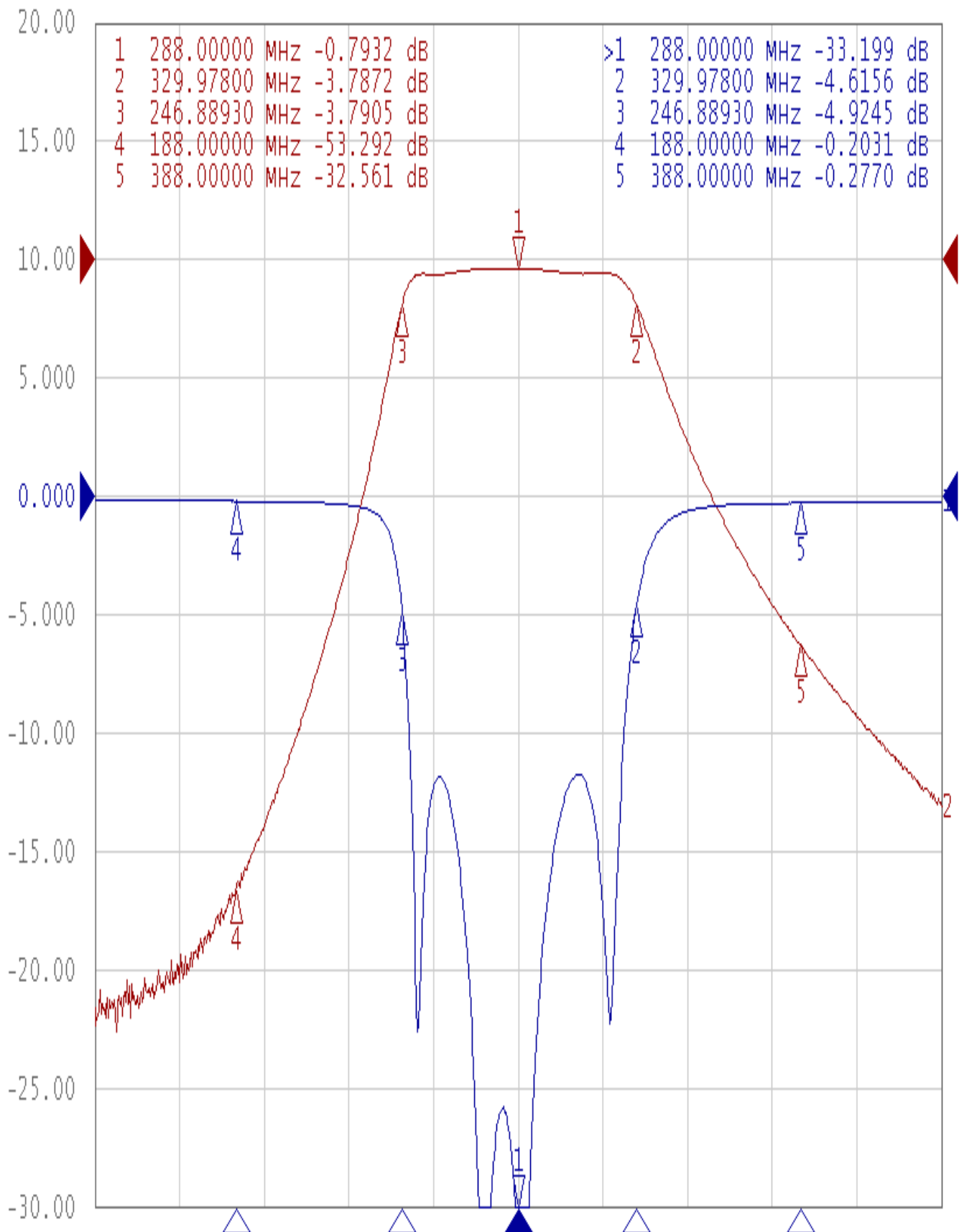
TEMWELL

RP:(C.S.C)

# Performance-TF64223B-288M

## 201206071CD

Tr1 S11 Log Mag 5.000dB/ Ref 0.000dB [F2]  
Tr2 S21 Log Mag 10.00dB/ Ref 0.000dB [F2]



1 Center 288 MHz

IFBW 10 kHz

Span 300 MHz Cor !