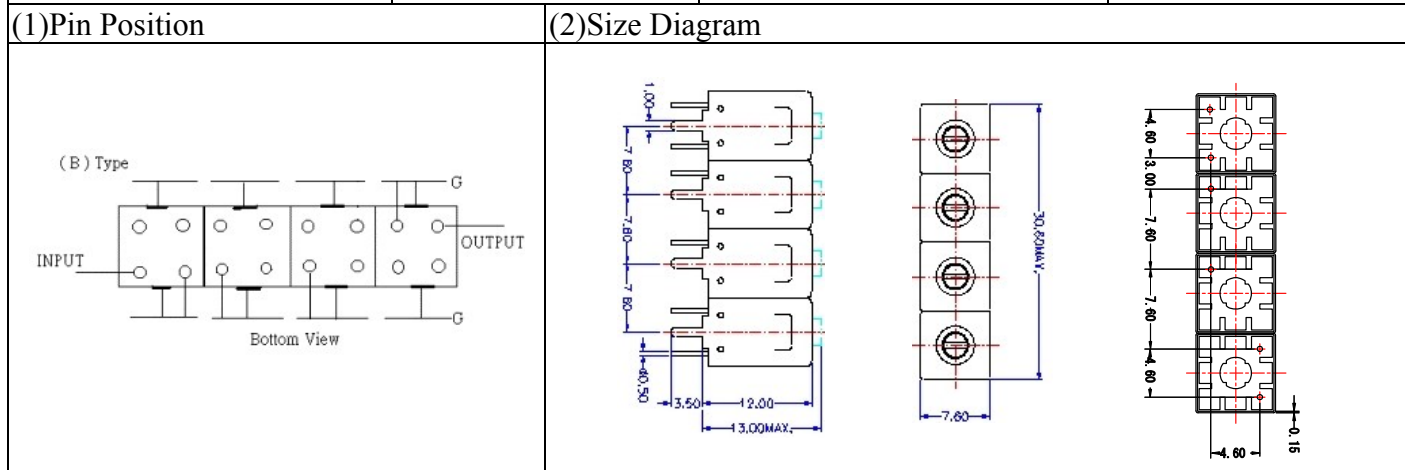


# VHF UHF Helical Filter Specification Sheet

Customer Name		Temwell's Part No.	TF64222B-288M
Approval No. /dated	201702027CD	Temwell's Print Name	64222B 288M
Work Instruction No.	201702027CD	Date	Feb.22.2018



(3) Electric Characteristic

Item	Specify	Performance
Center Freq.(Fo) +/- 0.5 %	288 MHz	288 MHz
Insertion Loss	Typ. 2.0 dB	1.05 dB
-3 dB Bandwidth	Typ. 50 MHz	55.3 MHz
Sensitivity (Attenuation)	Fo - 100 MHz	Typ. 52 dBc
	Fo + 100 MHz	Typ. 29 dBc
	Fo - ( )MHz	Typ. dBc
	Fo + ( )MHz	Typ. dBc
Return Loss	Min. 12 dB	30.6 dB
Ripple	< 1 dB	dB
Impedance	In / Out : 50 Ω	In / Out : 50 Ω

(4) Torque for Tuning Screw

> 60gf • cm

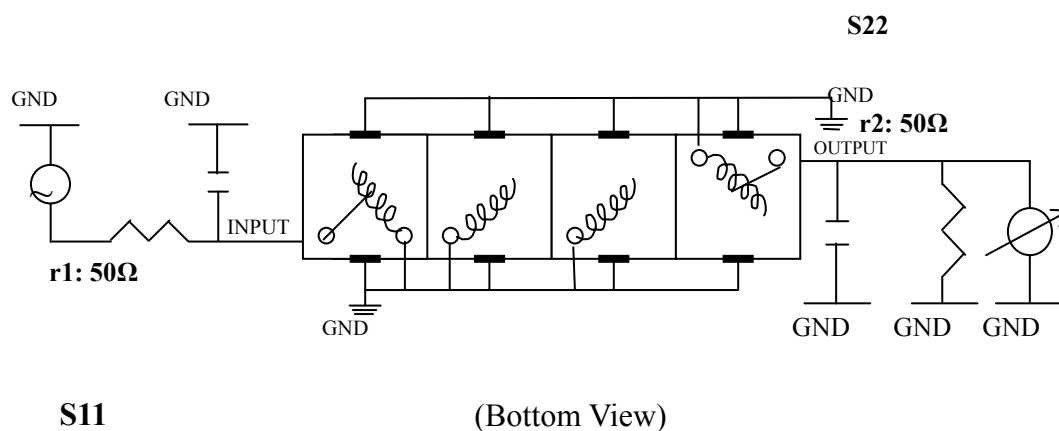
(5) Temperature Condition:

Operating Temperature	0°C ~ +60°C
Storage Temperature	-20°C ~ +70°C

(6) Input Power

> 1Watt

(7) Measuring Circuit: ※Easy to match Impedance S11/S22 50Ω by parallel with about(- -).



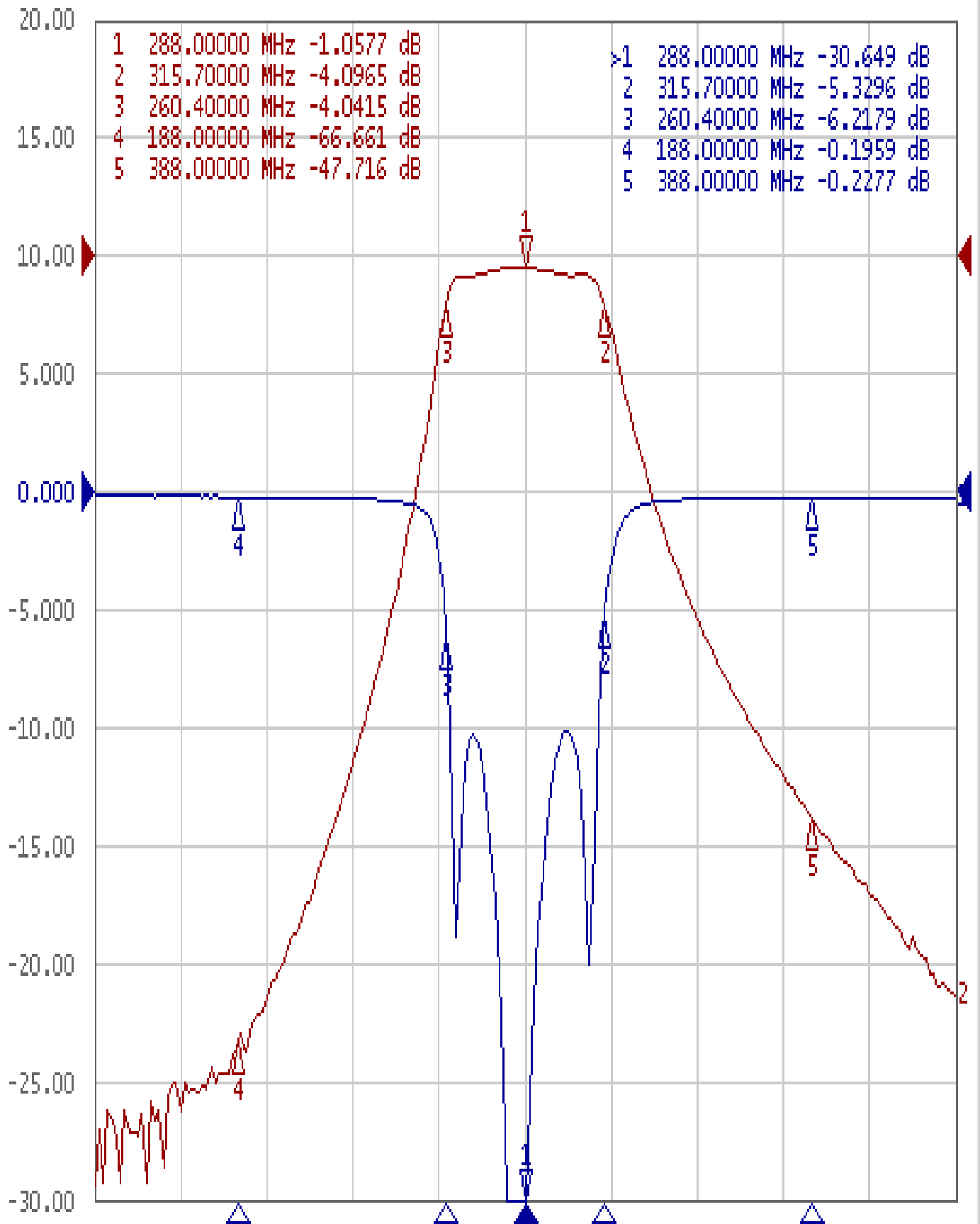
Approval	Supervisor	Designer	Aperture size
C.Y.Chang	C.K.Chang	W.W.Wang	7H4S(4*6.5)(6.53) 7H046RB6.5

TEMWELL CORPORATION

# Performance-TF64222B-288M

## 201702027CD

Tr1 S11 Log Mag 5.000dB/ Ref 0.000dB [F2]  
Tr2 S21 Log Mag 10.00dB/ Ref 0.000dB [F2]



1 Center 288 MHz

IFBW 70 kHz

Span 300 MHz Cor !