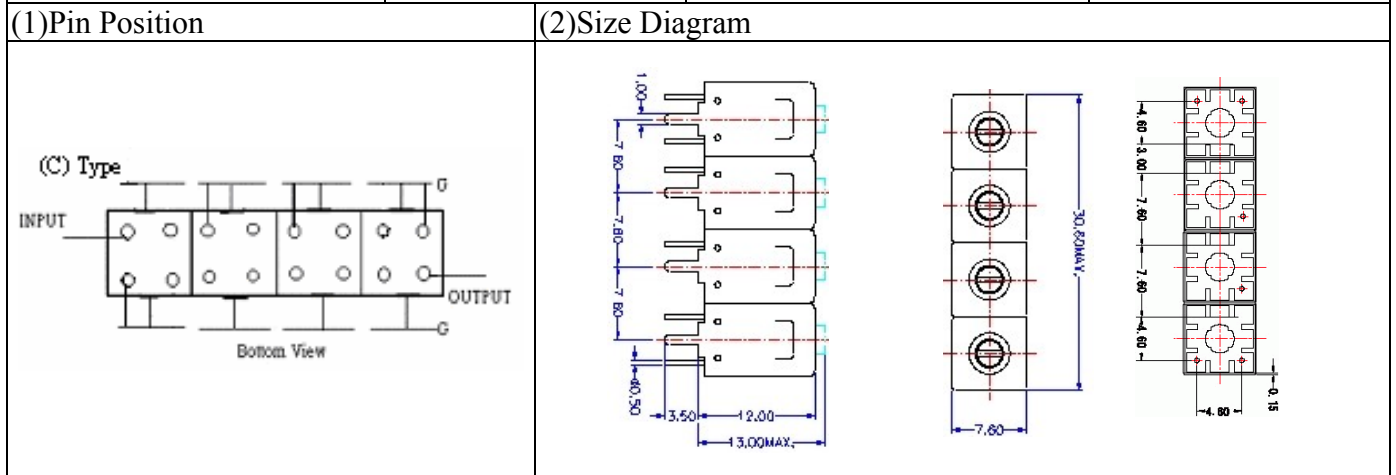
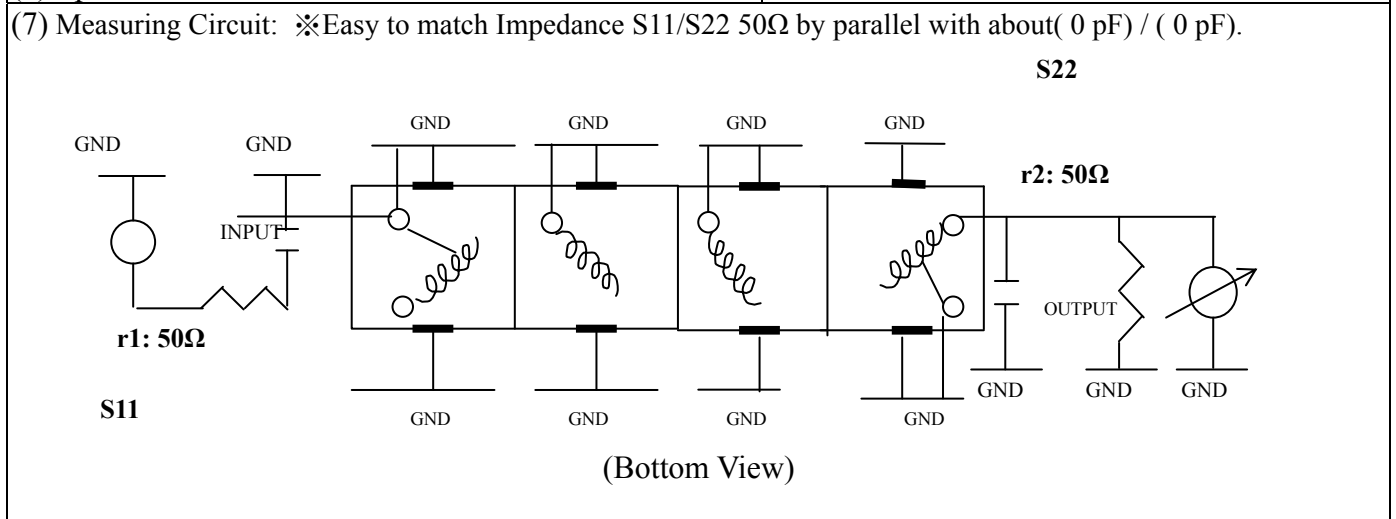


# VHF UHF Helical Filter Specification Sheet

Customer Name		Temwell's Part No.	TF64218C-128M
Approval No. /dated	0801021APR	Acceptable Fo Specify Range	126~145MHz
Work Instruction No.	0801021CD	Date	Jan.14.2008



(3) Electric Characteristic					
Item		Specify		Performance	
Center Freq.(Fo) +/- 0.5 %		128 MHz		128 MHz	
Insertion Loss		Typ 2.0 dB		1.25 dB	
-3 dB Bandwidth		Typ. 20 MHz		22.1 MHz	
Sensitivity (Attenuation)	Fo - 30 MHz	Typ. 46 dBc		49 dBc	
	Fo + 30 MHz	Typ. 33 dBc		36 dBc	
	Fo - ( )MHz	Typ. dBc		dBc	
	Fo +( )MHz	Typ. dBc		dBc	
Return Loss		Min. 12 dB		21.8 dB	
Ripple		< 1 dB		dB	
Impedance		In / Out : 50 Ω		In / Out : 50 Ω	
(4) Torque for Tuning Screw		> 100gf • cm			
(5) Temperature Condition:					
Operating Temperature		0°C ~ +60°C			
Storage Temperature		-20°C ~ +70°C			
(6) Input Power		> 1Watt			



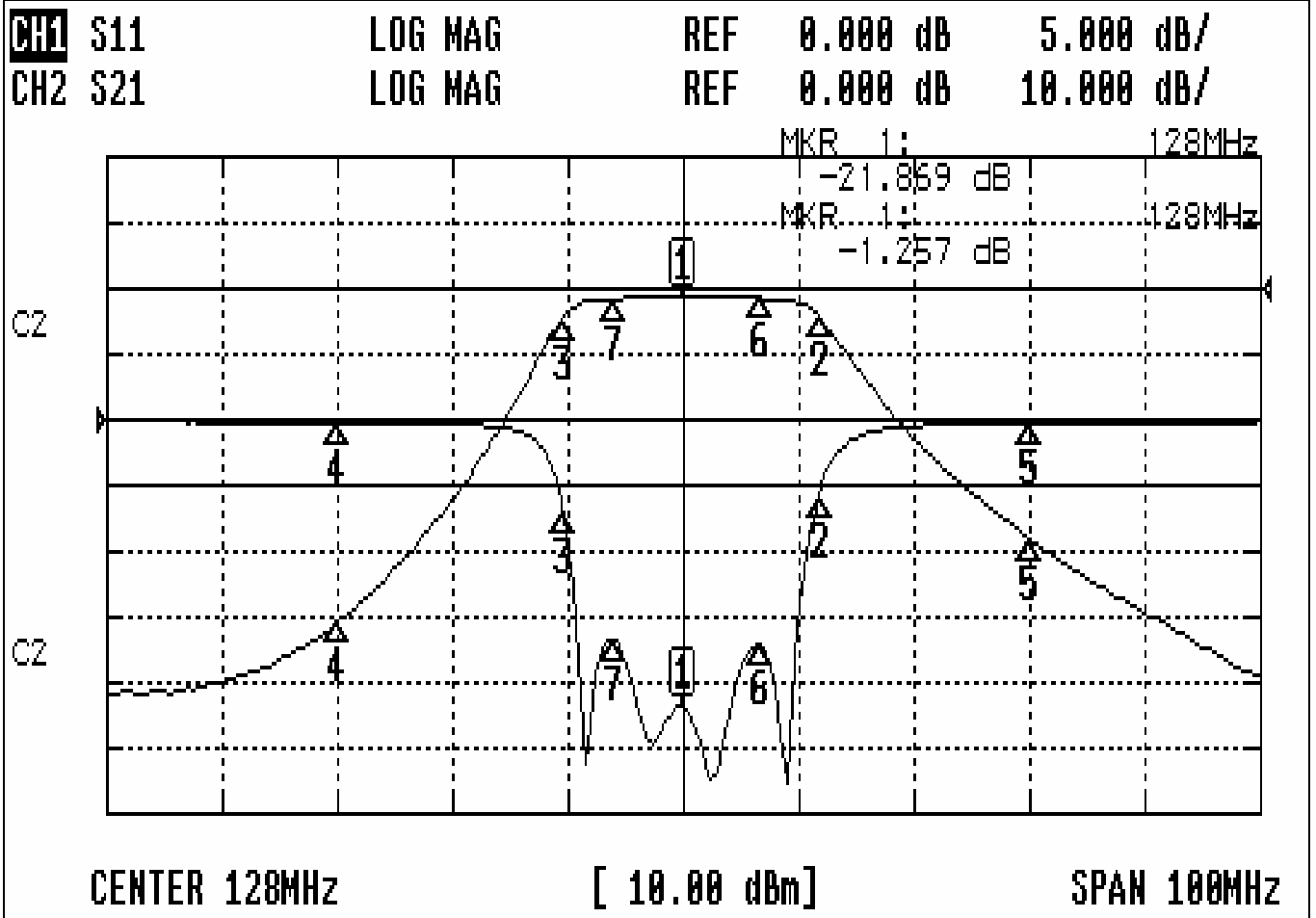
Approval	Supervisor	Designer	Aperture size
C.Y.Chang	C.S.Chang	P.H.Chiang	7H4(4*6.5)F 7H024LB6.5
TEMWELL CORPORATION			

TEMWELL

RP(P.H)

# Performance-TF64218C-128M

## 0801021CD



### CH1 MARKER LIST

1	128.000MHz	-21.869	dB
2	139.750MHz	-5.834	dB
3	117.666MHz	-7.130	dB
4	98.000MHz	-0.193	dB
5	158.000MHz	-0.242	dB
6	134.666MHz	-17.153	dB
7	121.833MHz	-16.658	dB

### CH2 MARKER LIST

1	128.000MHz	-1.257	dB
2	139.750MHz	-4.211	dB
3	117.666MHz	-4.182	dB
4	98.000MHz	-50.906	dB
5	158.000MHz	-38.011	dB
6	134.666MHz	-1.465	dB
7	121.833MHz	-1.582	dB