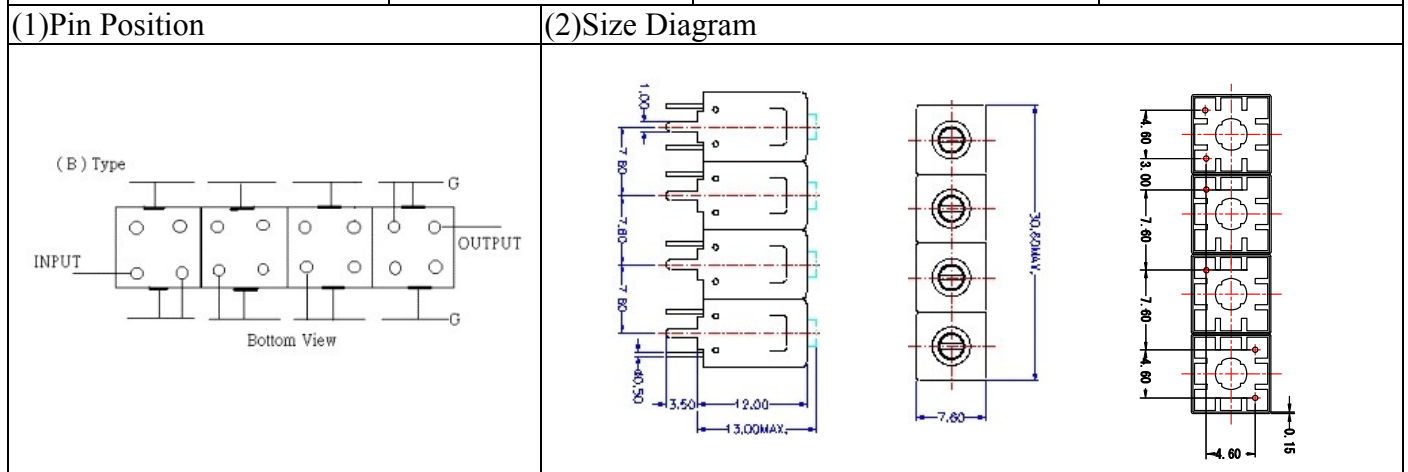


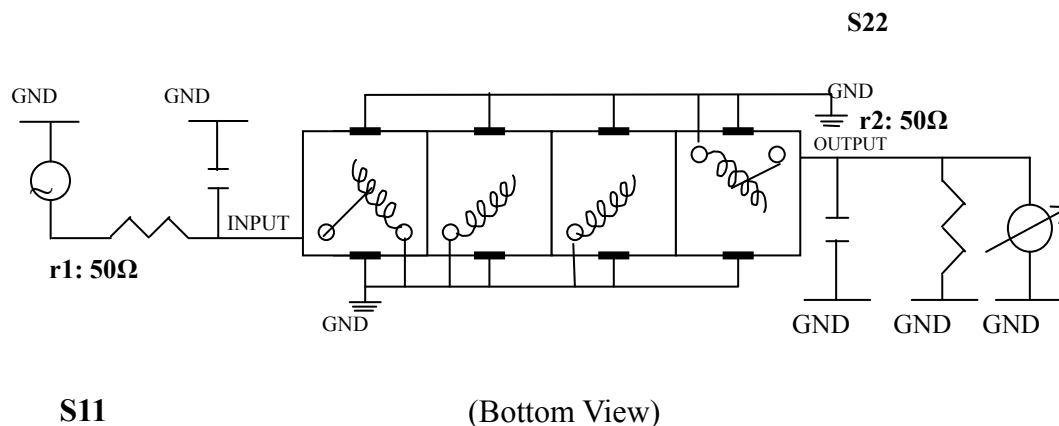
VHF UHF Helical Filter Specification Sheet

Customer Name		Temwell's Part No.	TF64218B1-128M
Approval No. /dated	201701077CD	Temwell's Print Name	64218B1 128M
Work Instruction No.	201701077CD	Date	Feb.13.2017



(3) Electric Characteristic			
Item		Specify	Performance
Center Freq.(Fo) +/- 0.5 %		128 MHz	128 MHz
Insertion Loss		Typ. 2.0 dB	0.95 dB
-3 dB Bandwidth		Typ. 30 MHz	32.4 MHz
Sensitivity (Attenuation)	Fo - 50 MHz	Typ. 50 dBc	60 dBc
	Fo + 50 MHz	Typ. 33 dBc	39 dBc
	Fo - ()MHz	Typ. dBc	dBc
	Fo +()MHz	Typ. dBc	dBc
Return Loss		Min. 12 dB	20.5 dB
Ripple		< 1 dB	dB
Impedance		In / Out : 50 Ω	In / Out : 50 Ω
(4) Torque for Tuning Screw		> 60gf · cm	
(5) Temperature Condition:			
Operating Temperature		0°C ~ +60°C	
Storage Temperature		-20°C ~ +70°C	
(6) Input Power		> 1Watt	

(7) Measuring Circuit: ※Easy to match Impedance S11/S22 50Ω by parallel with about(- -).



Approval	Supervisor	Designer	Aperture size
C.Y.Chang	C.K.Chang	M.Y.Kang	7H4S(4*7.5)(7.57) 7H024RB6.5

TEMWELL CORPORATION

Performance-TF64218B1-128M

201701077CD

CH1 S11

LOG MAG

REF 0.000 dB

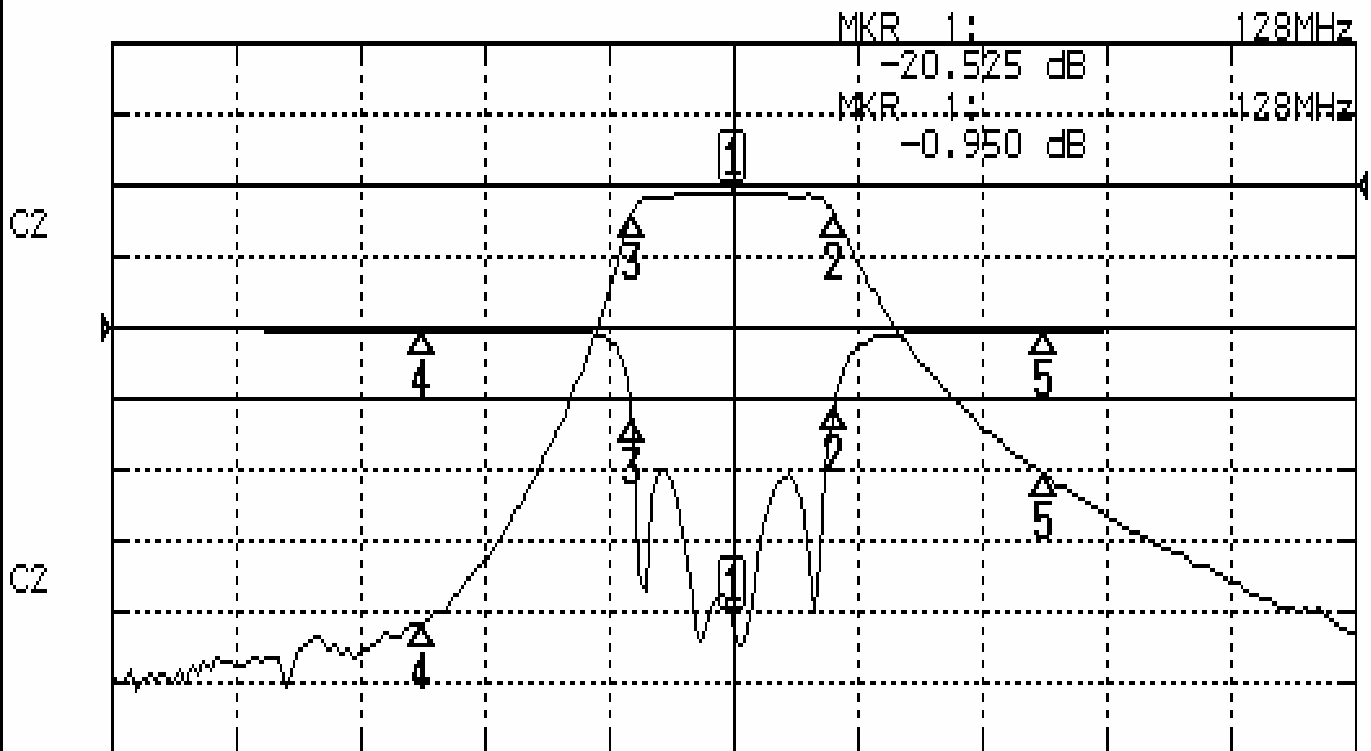
5.000 dB/

CH2 S21

LOG MAG

REF 0.000 dB

10.000 dB/



CENTER 128MHz

[10.00 dBm]

SPAN 200MHz

CH1 MARKER LIST

1:	128.000MHz	-20.537	dB
2:	144.280MHz	-5.590	dB
3:	111.800MHz	-6.717	dB
4:	78.000MHz	-0.157	dB
5:	178.000MHz	-0.171	dB
6:			
7:			
8:			
9:			
10:			

CH2 MARKER LIST

1:	128.000MHz	-0.950	dB
2:	144.280MHz	-3.983	dB
3:	111.800MHz	-3.922	dB
4:	78.000MHz	-61.544	dB
5:	178.000MHz	-40.855	dB
6:			
7:			
8:			
9:			
10:			