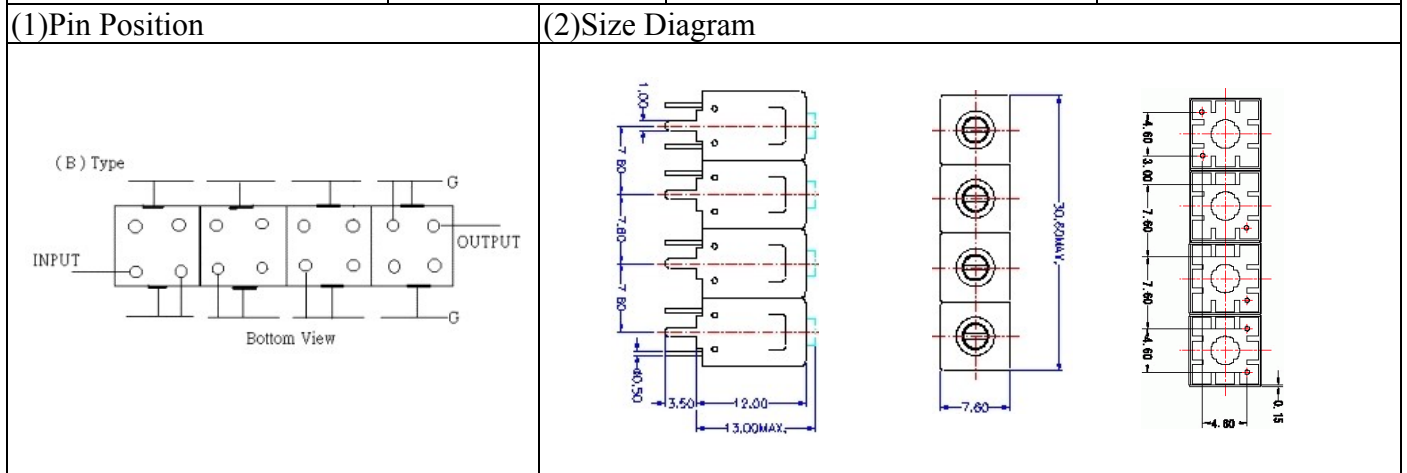


VHF UHF Helical Filter Specification Sheet

Customer Name		Temwell's Part No.	TF64216B-195M
Approval No. /dated	0801010APR	Acceptable Specify Fo Range	166~195MHz
Work Instruction No.	0801010CD	Date	Jan.07.2008



(3) Electric Charasteric

Item	Specify	Performance	
Center Freq.(Fo) +/- 0.5 %	195 MHz	195 MHz	
Insertion Loss	Typ. 2.0 dB	0.91 dB	
-3 dB Bandwidth	Typ. 50 MHz	51.5 MHz	
Sensitivity (Attenuation)	Fo - 50 MHz	Typ. 38 dBc	41 dBc
	Fo + 50 MHz	Typ. 20 dBc	23 dBc
	Fo - ()MHz	Typ. dBc	dBc
	Fo +()MHz	Typ. dBc	dBc
Return Loss	Min. 12 dB	17.9 dB	
Ripple	< 1 dB	dB	
Impedance	In / Out : 50 Ω	In / Out : 50 Ω	

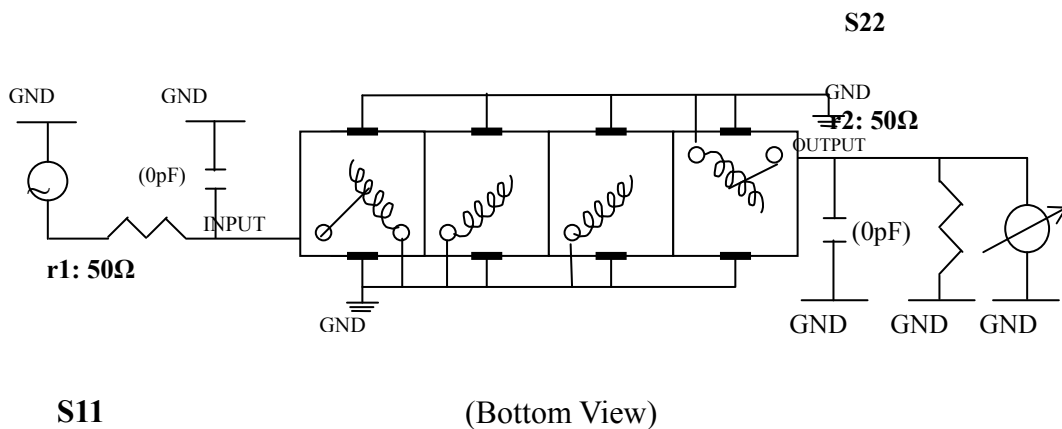
(4) Torque for Tuning Screw > 100gf · cm

(5) Temperature Condition:

Operating Temperature	0°C ~ +60°C
Storage Temperature	-20°C ~ +70°C

(6) Input Power > 1 Watt

(7) Measuring Circuit: ※Easy to match Impedance S11/S22 50Ω/ by parallel with about(0pF) / (0 pF).



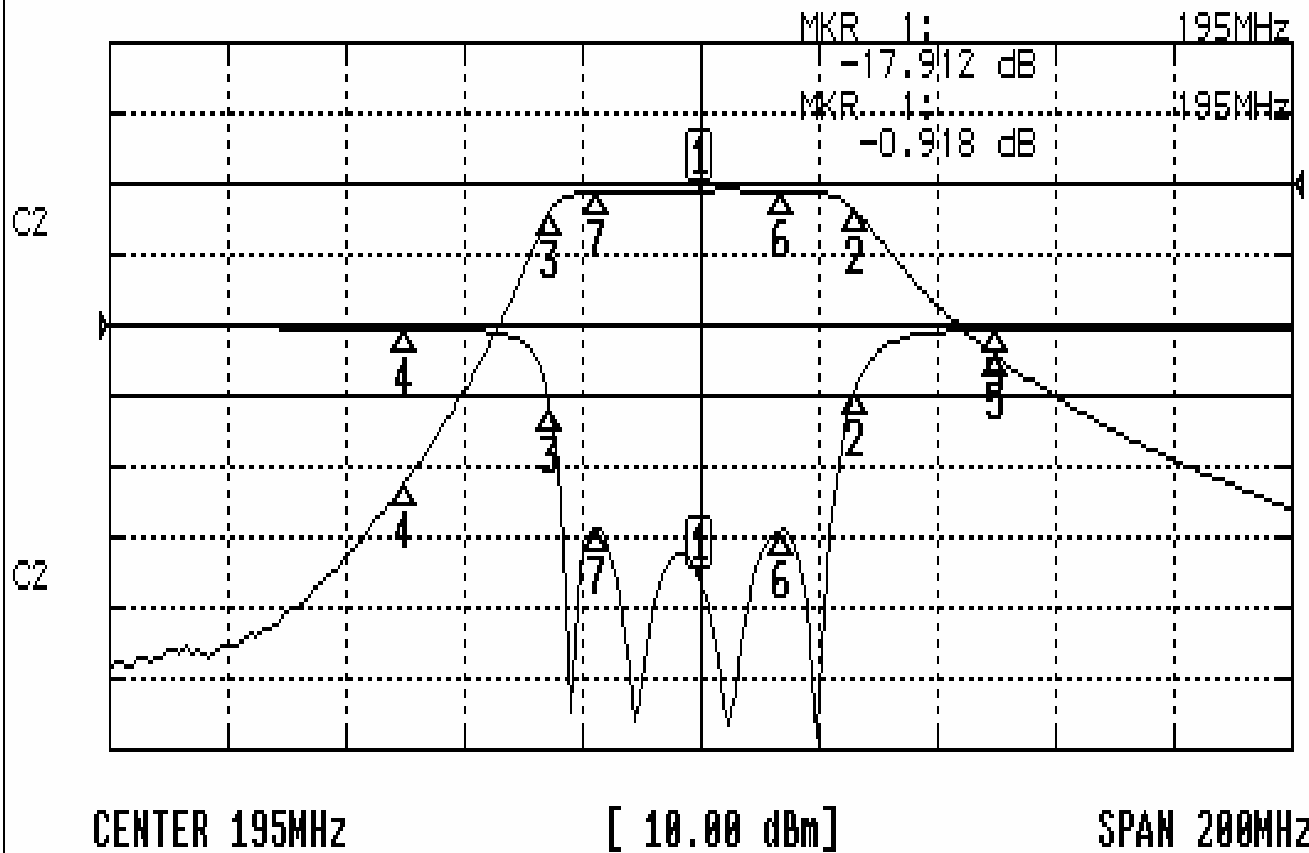
Approval	Supervisor	Designer	Aperture size
C.Y.Chang	C.S.Chang	P.H.Chiang	7H4(4*8.0)F 7H046RB6.5

TEMWELL CORPORATION

Performance-TF64216B-195M

0801010CD

REF S11 LOG MAG REF 0.000 dB 5.000 dB/
CH2 S21 LOG MAG REF 0.000 dB 10.000 dB/



CH1 MARKER LIST

1:	195.000MHz	-17.912	dB
2:	221.833MHz	-4.626	dB
3:	169.833MHz	-5.983	dB
4:	145.000MHz	-0.225	dB
5:	245.000MHz	-0.271	dB
6:	208.833MHz	-14.525	dB
7:	177.500MHz	-14.313	dB
8:			
9:			
10:			

CH2 MARKER LIST

1:	195.000MHz	-0.918	dB
2:	221.833MHz	-3.903	dB
3:	169.833MHz	-3.827	dB
4:	145.000MHz	-42.291	dB
5:	245.000MHz	-24.345	dB
6:	208.833MHz	-1.084	dB
7:	177.500MHz	-1.283	dB
8:			
9:			
10:			