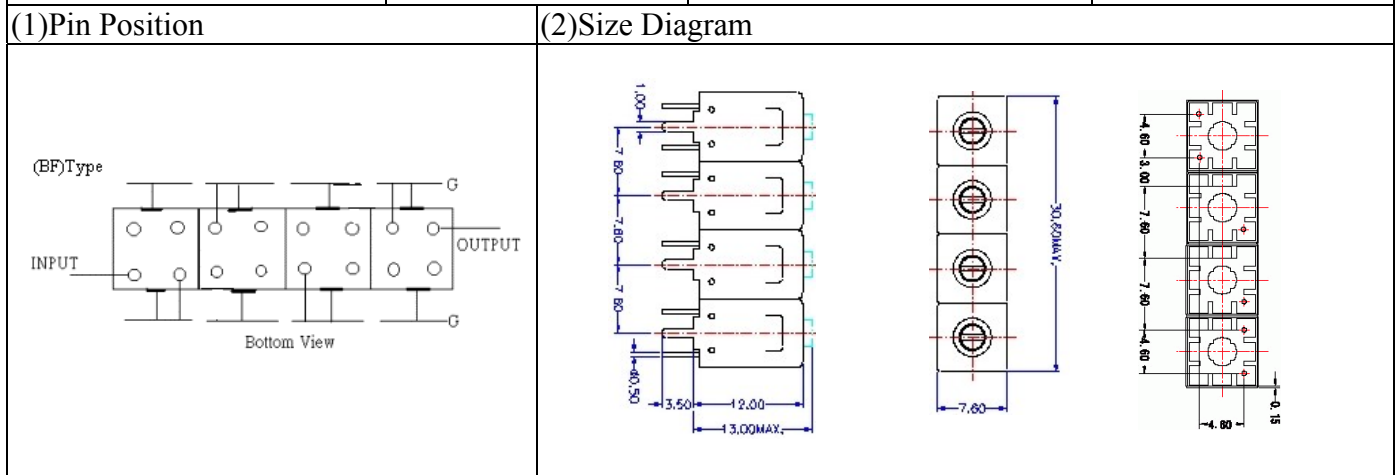


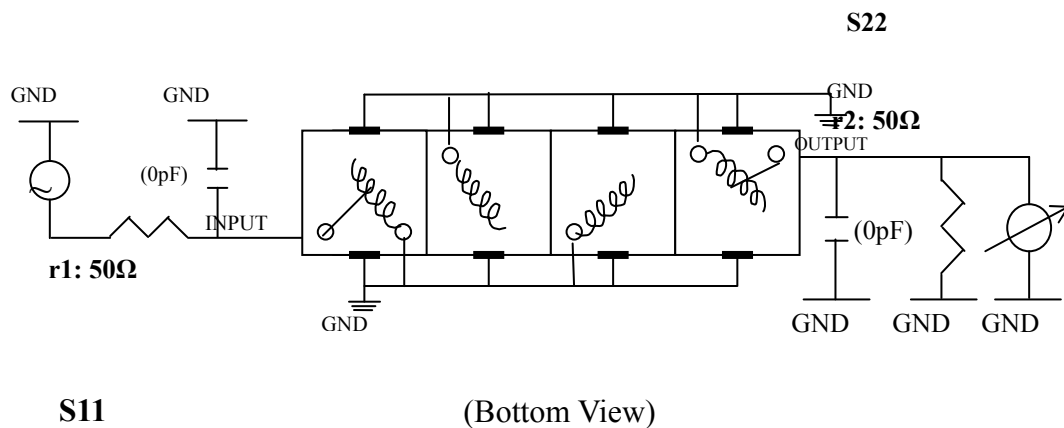
VHF UHF Helical Filter Specification Sheet

Customer Name		Temwell's Part No.	TF64213BF-161M
Approval No. /dated	0712062APR	Acceptable Fo Specify Range	146~165MHz
Work Instruction No.	0712062BD	Date	Nov.25.2007



(3)Electric Charasteric					
Item		Specify		Performance	
Center Freq.(Fo) +/- 0.5 %		161 MHz		161 MHz	
Insertion Loss		Typ. 2.0 dB		1.23 dB	
-3 dB Bandwidth		Typ. 26 MHz		28.3 MHz	
Sensitivity (Attenuation)	Fo - 50 MHz	Typ. 62 dBc		65 dBc	
	Fo + 50 MHz	Typ. 44 dBc		47 dBc	
	Fo - ()MHz	Typ. dBc		dBc	
	Fo +()MHz	Typ. dBc		dBc	
Return Loss		Min. 12 dB		20.9 dB	
Ripple		< 1 dB		dB	
Impedance		In / Out : 50 Ω		In / Out : 50 Ω	
(4)Torque for Tuning Screw		> 100gf • cm			
(5)Temperature Condition:					
Operating Temperature		0°C ~ +60°C			
Storage Temperature		-20°C ~ +70°C			
(6)Input Power		> 1Watt			

(7)Measuring Circuit: ※Easy to match Impedance S11/S22 50Ω/ by parallel with about(0 pF) / (0 pF).



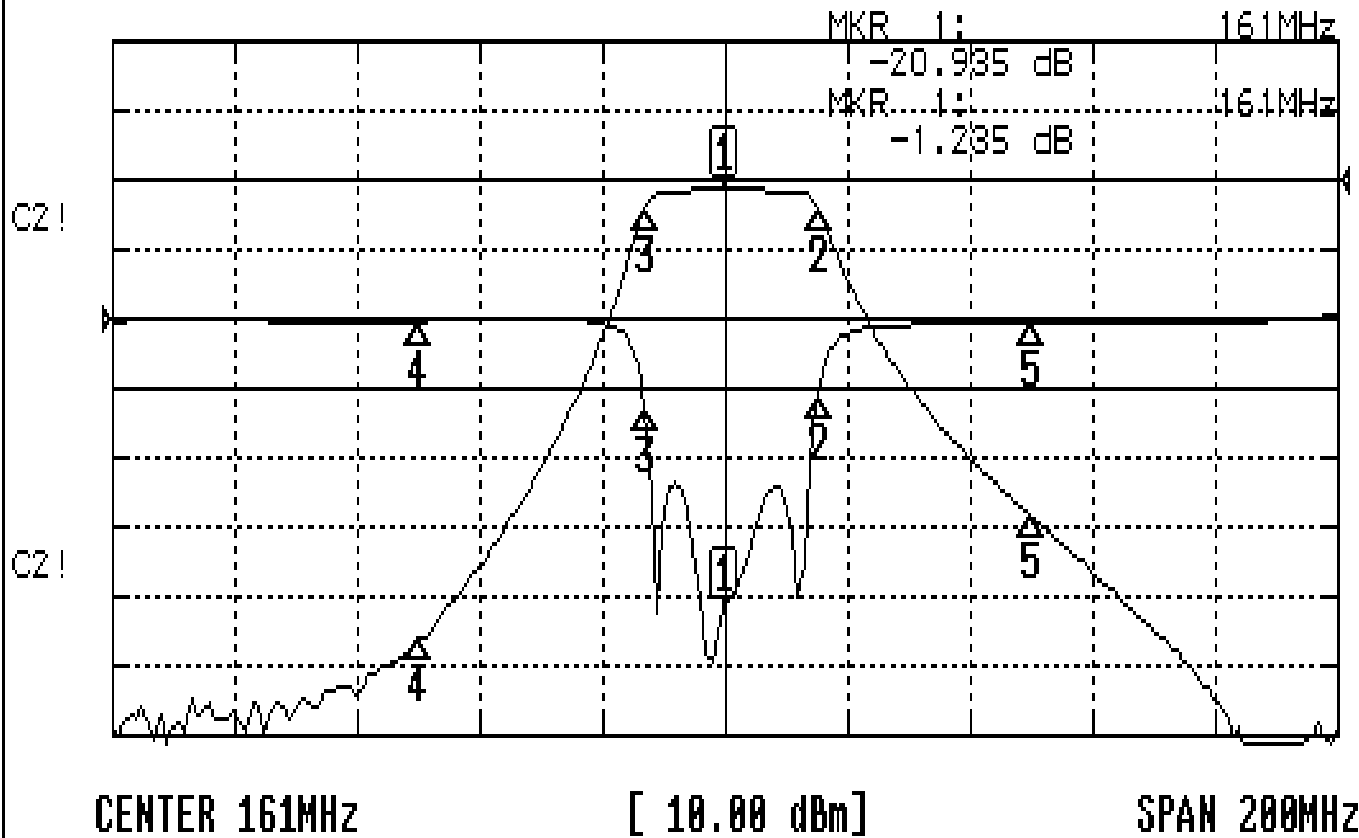
Approval	Supervisor	Designer	Aperture size
C.Y.Chang	C.S.Chang	P.H.Chiang	7H4(4*5.5)F 7H024LB6.5

TEMWELL CORPORATION

Performance-TF64213BF-161M

0712062BD

CH1 S11 LOG MAG REF 0.000 dB 5.000 dB/
CH2 S21 LOG MAG REF 0.000 dB 10.000 dB/



CH1 MARKER LIST

1	161.000MHz	-20.952	dB
2	176.333MHz	-15.420	dB
3	148.000MHz	-6.371	dB
4	111.000MHz	-0.171	dB
5	211.000MHz	-0.202	dB

CH2 MARKER LIST

1	161.000MHz	-1.235	dB
2	176.333MHz	-14.333	dB
3	148.000MHz	-14.165	dB
4	111.000MHz	-6.855	dB
5	211.000MHz	-40.356	dB