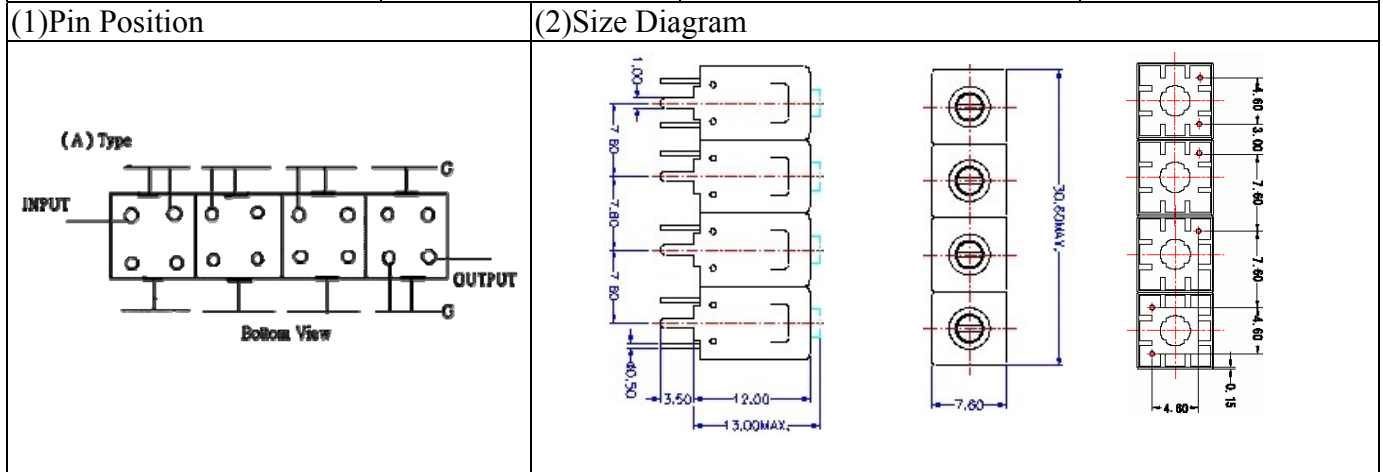


VHF UHF Helical Filter Specification Sheet

Customer Name		Temwell's Part No.	TF64210A-935M
Approval No. /dated	0707005APR	Temwell's Print Name	64210A 935M
Work Instruction No.	0707005DB	Date	Jul.12.2007



(3) Electric Characteristic

Item	Specify	Performance	
Center Freq.(Fo) +/- 0.5 %	935 MHz	935 MHz	
Insertion Loss	Typ. 3.0 dB	1.97 dB	
-3 dB Bandwidth	Typ. 50 MHz	54.8 MHz	
Sensitivity (Attenuation)	Fo - 50 MHz	Typ. 25 dBc	28 dBc
	Fo + 50 MHz	Typ. 17 dBc	20 dBc
	Fo - ()MHz	Typ. dBc	dBc
	Fo + ()MHz	Typ. dBc	dBc
Return Loss	Min. 12 dB	18.9 dB	
Ripple	< 1 dB	dB	
Impedance	In / Out : 50 Ω	In / Out : 50 Ω	

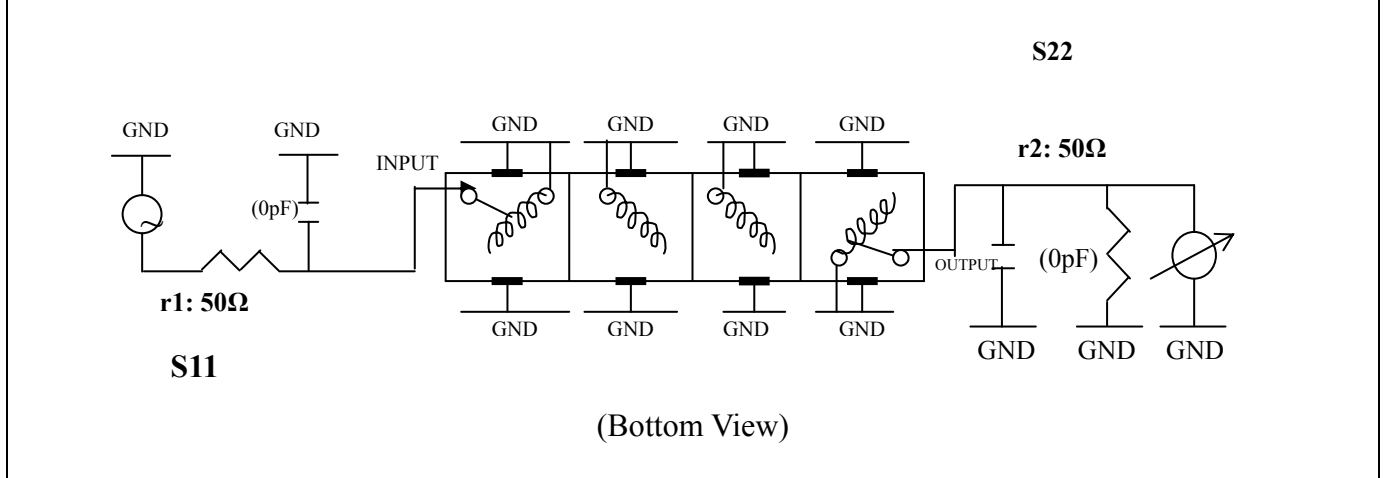
(4) Torque for Tuning Screw > 100gf · cm

(5) Temperature Condition:

Operating Temperature	0°C ~ +60°C
Storage Temperature	-20°C ~ +70°C

(6) Input Power > 1Watt

(7) Measuring Circuit: ※Easy to match Impedance S11/S22 50Ω by parallel with about(0pF) / (0pF).



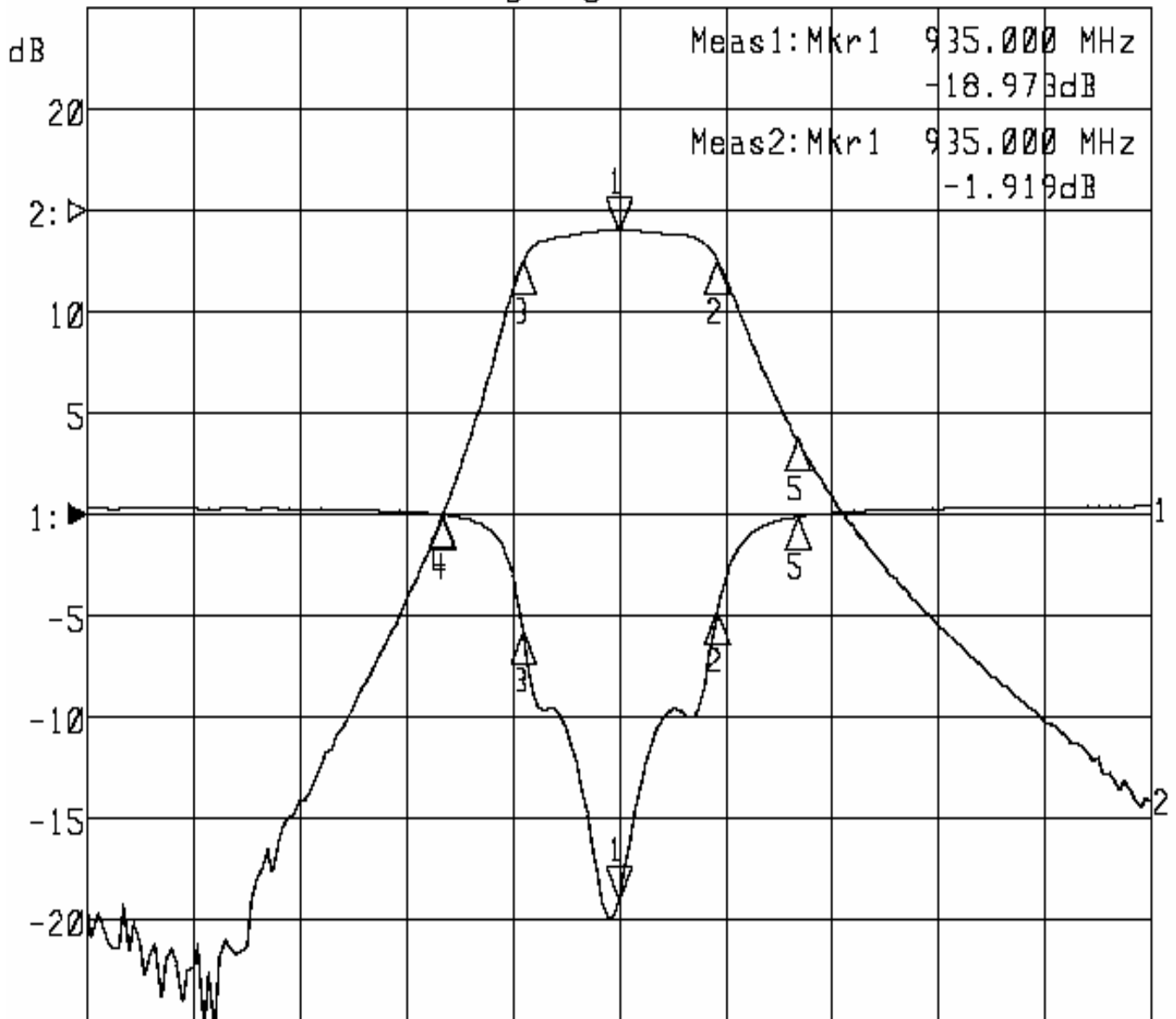
Approval	Supervisor	Designer	Aperture size
C.Y.Chang	C.S.Chang	C.S.Chang	7H4S,(4*5.5) 7H046LB5

TEMWELL CORPORATION

Performance-TF64210A-935M

0707005DB

▶1:S22 Ref1 Port2 Log Mag 5.0 dB/ Ref 0.00 dB C
 ▷2:S21 Fwd Trans Log Mag 10.0 dB/ Ref 0.00 dB C



Center 935.000 MHz

Span 300.000 MHz

1:Mkr (MHz)	dB	2:Mkr (MHz)	dB
1> 935.0000	-18.973	1> 935.0000	-1.919
2: 962.8000	-4.767	2: 962.8000	-4.929
3: 908.0000	-5.728	3: 908.0000	-4.956
4: 885.0000	-0.038	4: 885.0000	-30.365
5: 985.0000	-0.124	5: 985.0000	-22.429