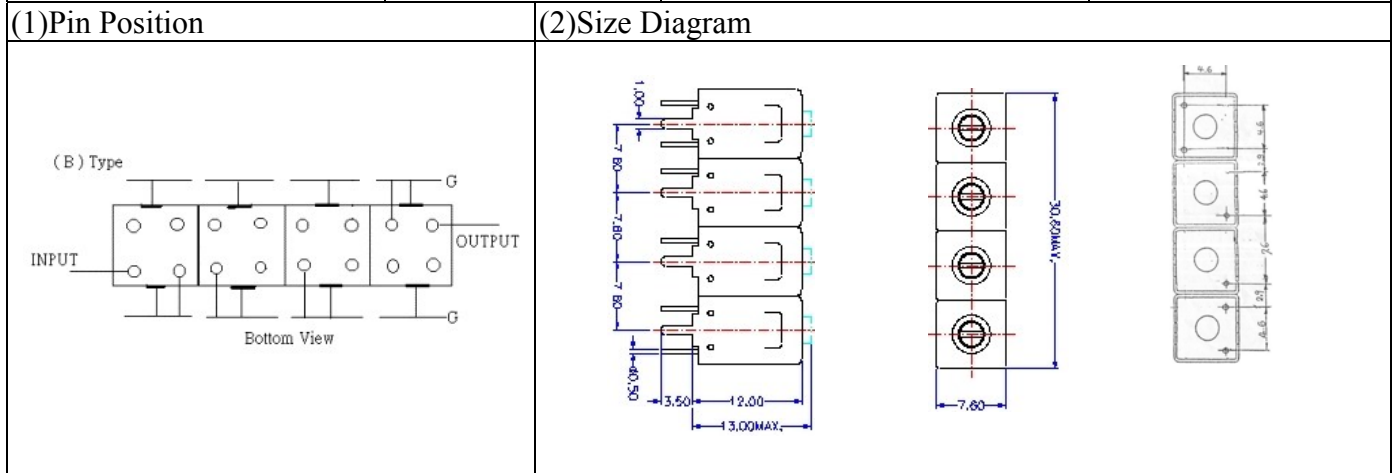


VHF UHF Helical Filter Specification Sheet

| | | | |
|----------------------|------------|-----------------------------|---------------|
| Customer Name | | Temwell's Part No. | TF64208B-325M |
| Approval No. /dated | 0707003APR | Acceptable Specify Fo Range | 311~355MHz |
| Work Instruction No. | 0707003DB | Date | Jul.12.2007 |



(3) Electric Characteristic

| Item | Specify | Performance | |
|------------------------------|-----------------|-----------------|--------|
| Center Freq.(Fo) +/- 0.5 % | 325 MHz | 325 MHz | |
| Insertion Loss | Typ. 2.0 dB | 0.91 dB | |
| -3 dB Bandwidth | Typ. 50 MHz | 52.5 MHz | |
| Sensitivity (Attenuation) | Fo - 50 MHz | Typ. 28 dBc | 31 dBc |
| | Fo + 50 MHz | Typ. 19 dBc | 22 dBc |
| | Fo - ()MHz | Typ. dBc | dBc |
| | Fo +()MHz | Typ. dBc | dBc |
| Return Loss | Min. 12 dB | 34.6 dB | |
| Ripple | < 1 dB | dB | |
| Impedance | In / Out : 50 Ω | In / Out : 50 Ω | |

(4) Torque for Tuning Screw > 100gf · cm

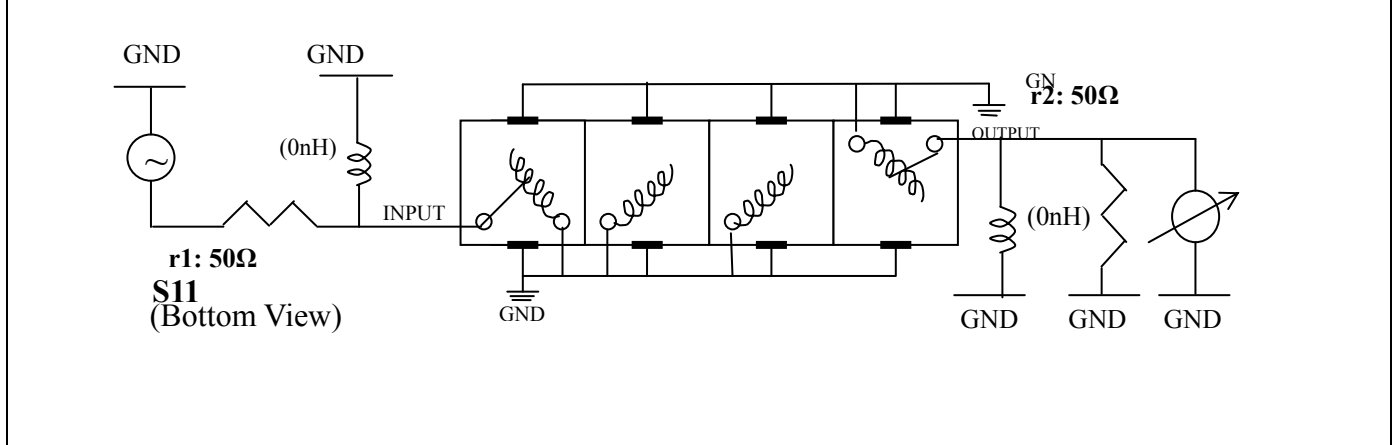
(5) Temperature Condition:

| | |
|-----------------------|-------------|
| Operating Temperature | 0°C ~ +60°C |
|-----------------------|-------------|

| | |
|---------------------|---------------|
| Storage Temperature | -20°C ~ +70°C |
|---------------------|---------------|

(6) Input Power > 1Watt

(7) Measuring Circuit: ※Easy to match Impedance S11/S22 50Ω by parallel with about(0)

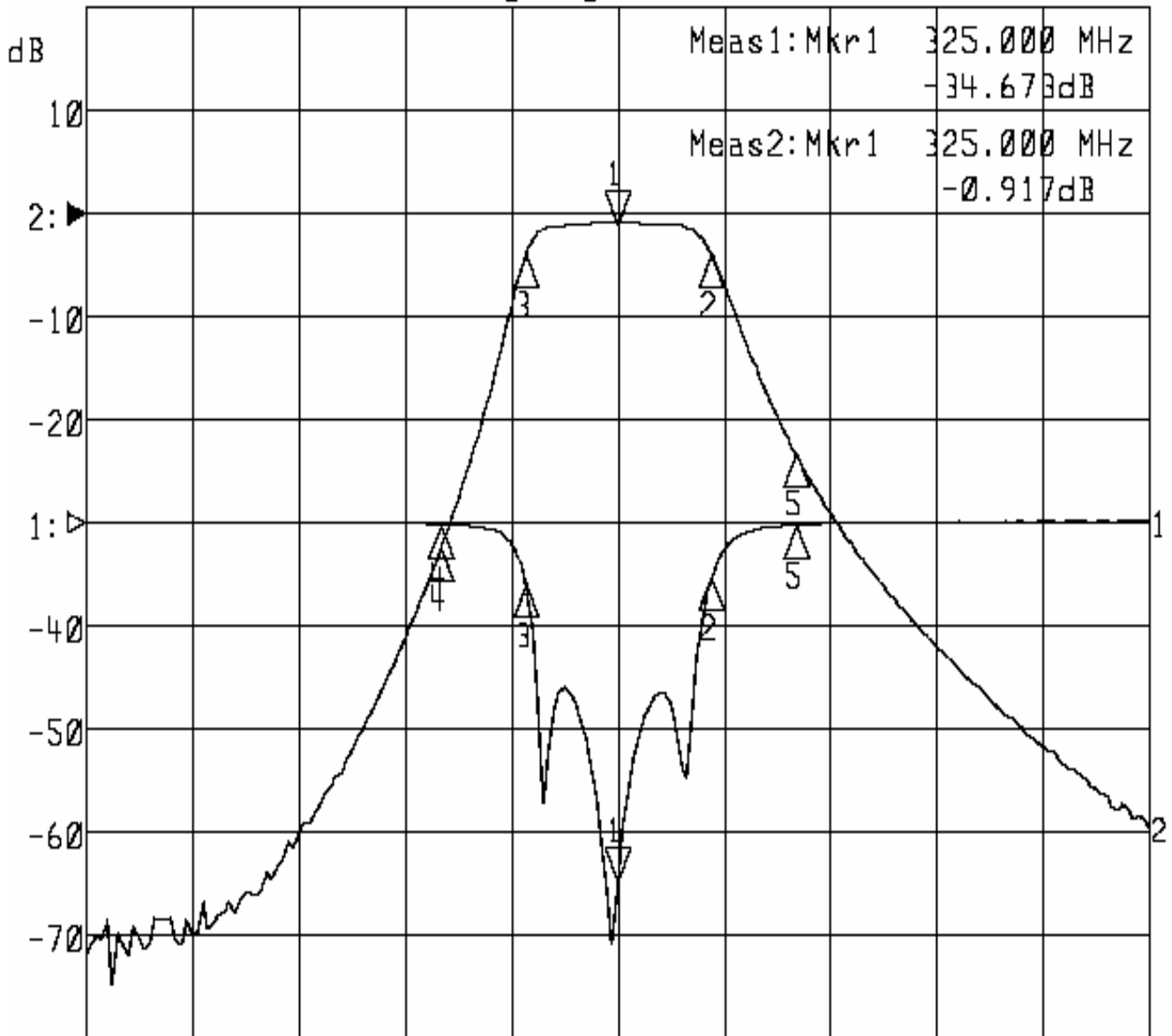


| | | | |
|-----------|------------|-------------|--------------------------|
| Approval | Supervisor | Designer | Aperture size |
| C.Y.Chang | C.S.Chang | C.S.Chang | 7H4(4*6.5) 7H046RB6.5 |
| TEMWELL | | CORPORATION | |

Performance-TF64208B-325M

0707003DB

►1:S11 Refl Port1 Log Mag 10.0 dB/ Ref 0.00 dB C
►2:S21 Fwd Trans Log Mag 10.0 dB/ Ref 0.00 dB C



Center 325.000 MHz

Span 300.000 MHz

| 1:Mkr (MHz) | dB | 2:Mkr (MHz) | dB |
|-------------|---------|-------------|---------|
| 1> 325.0000 | -34.673 | 1> 325.0000 | -0.917 |
| 2: 351.6000 | -5.249 | 2: 351.6000 | -3.930 |
| 3: 299.1000 | -5.975 | 3: 299.1000 | -3.912 |
| 4: 275.0000 | -0.166 | 4: 275.0000 | -32.593 |
| 5: 375.0000 | -0.231 | 5: 375.0000 | -23.129 |