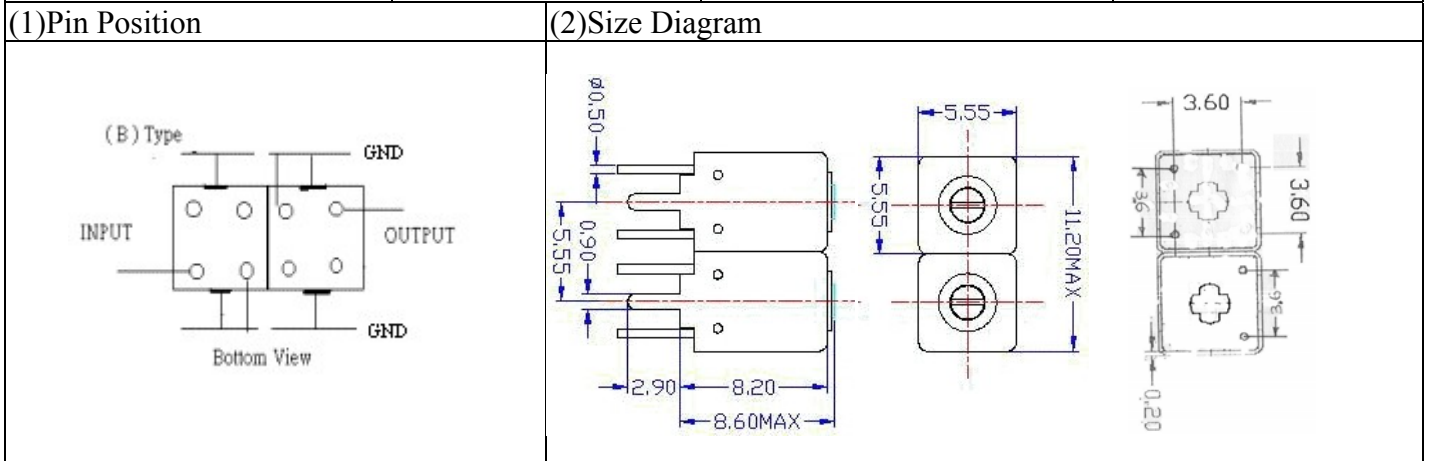


VHF UHF Helical Filter Specification Sheet

Customer Name		Temwell's Part No.	TDW2916B-850M
Approval No. /dated	0903001APR	Temwell's print Name.	2916B 850M
Work Instruction No.	200903001BD	Date	Mar.05.2009



(3) Electric Characteristic

Item	Specify	Performance	
Center Freq.(Fo) +/- 0.5 %	850 MHz	850 MHz	
Tunable Range:	850±5 MHz	850±5 MHz	
Insertion Loss	Typ. 2.0 dB	0.73 dB	
-3 dB Bandwidth	Typ. 80 MHz	91.2 MHz	
Sensitivity (Attenuation)	Fo - 200 MHz	Typ. 36 dBc	39 dBc
	Fo + 200 MHz	Typ. 18 dBc	21 dBc
	Fo - ()MHz	Typ. dBc	dBc
	Fo + ()MHz	Typ. dBc	dBc
Return Loss	Min. 12 dB	31.7 dB	
Ripple	< 1 dB	dB	
Impedance	In / Out : 50 Ω	In / Out : 50 Ω	

(4) Torque for Tuning Screw > 100gf · cm

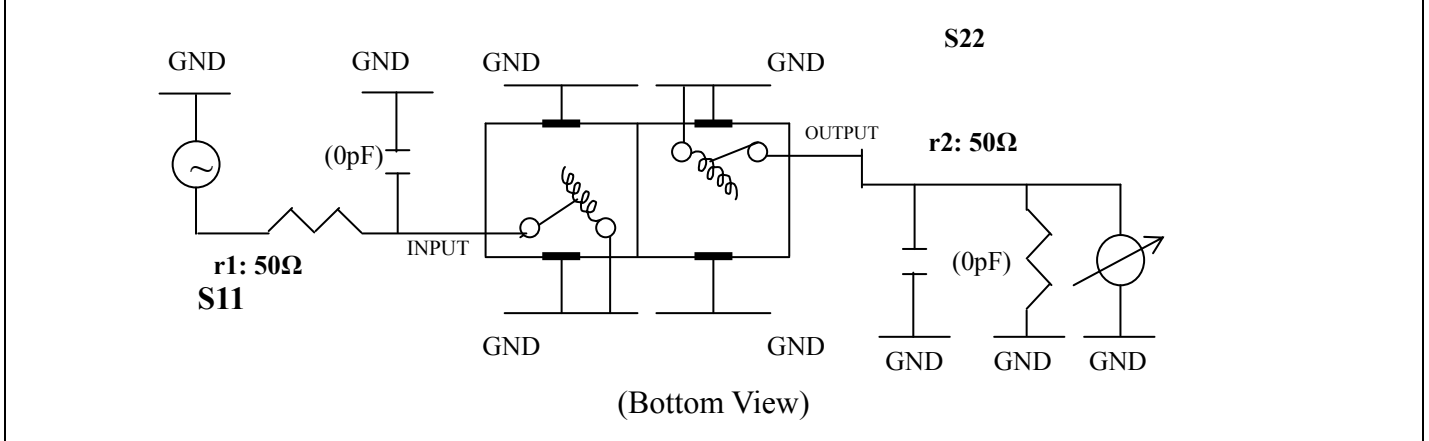
(5) Temperature Condition:

Operating Temperature	0°C ~ +60°C
-----------------------	-------------

Storage Temperature	-20°C ~ +70°C
---------------------	---------------

(6) Input Power > 0.5Watt

(7) Measuring Circuit: ※Easy to match Impedance 50Ω by parallel with about (0pF)/(0pF)



Approval C.Y.Chang	Supervisor C.K.Chang	Designer C.S.Chang	Aperture size 5W2S(3.8*5.1)(5.24) (5HW046RB4)
-----------------------	-------------------------	-----------------------	---

TEMWELL CORPORATION

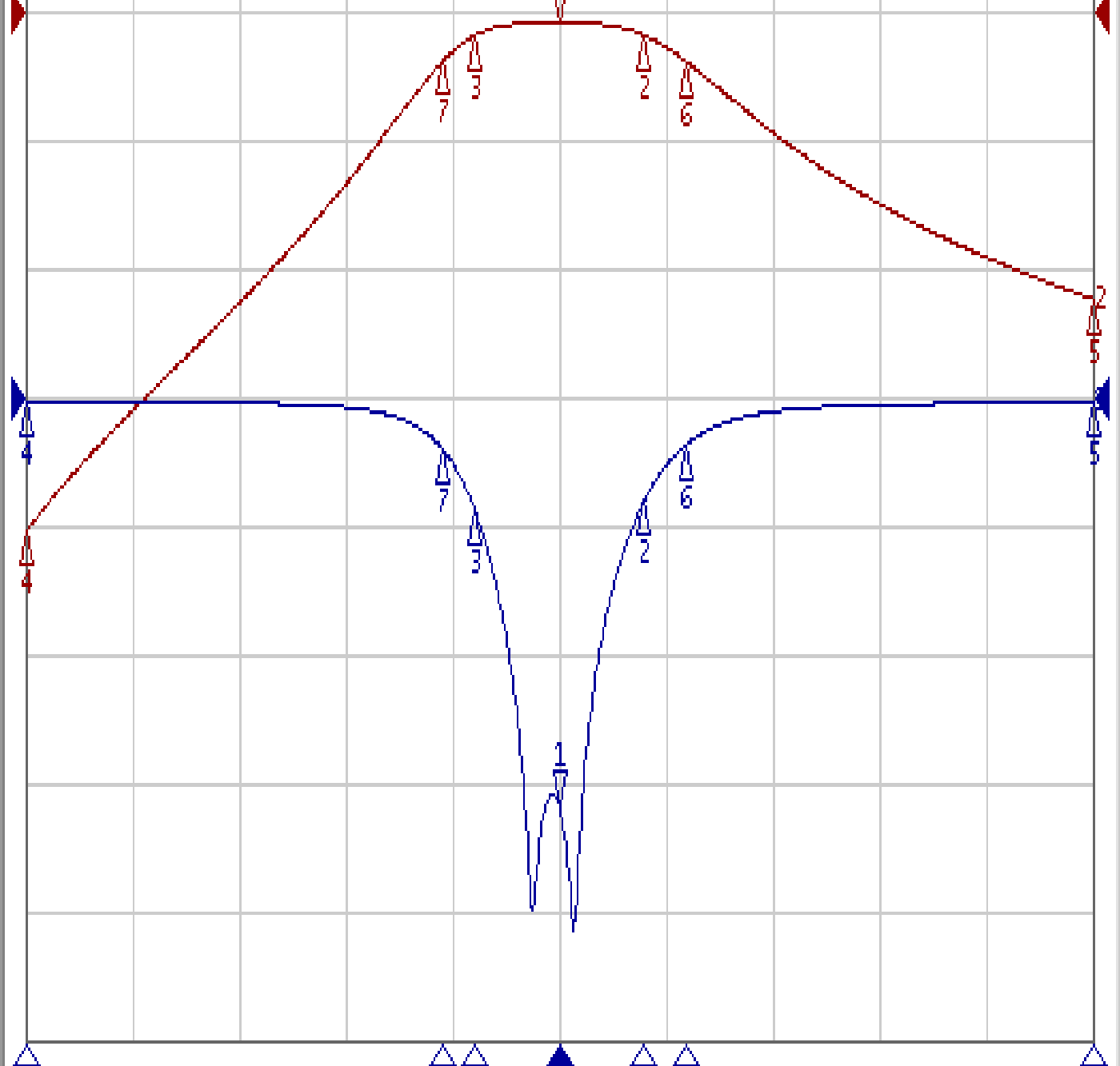
Performance-TDW2916B-850M

200903001BD

Tr1 S11 Log Mag 10.00dB/ Ref 0.000dB [F2]
Tr2 S21 Log Mag 10.00dB/ Ref 0.000dB [F2]

1	850.00000 MHz	-0.7387 dB
2	881.79000 MHz	-1.7175 dB
3	818.21000 MHz	-1.7102 dB
4	650.00000 MHz	-40.405 dB
5	1.0500000 GHz	-22.240 dB
6	897.61000 MHz	-3.7697 dB
7	806.49600 MHz	-3.6861 dB

>1	850.00000 MHz	-31.748 dB
2	881.79000 MHz	-7.9395 dB
3	818.21000 MHz	-8.6112 dB
4	650.00000 MHz	-0.2279 dB
5	1.0500000 GHz	-0.3175 dB
6	897.61000 MHz	-3.5724 dB
7	806.49600 MHz	-4.0048 dB



1 Center 850 MHz

IFBW 10 kHz

Span 400 MHz

