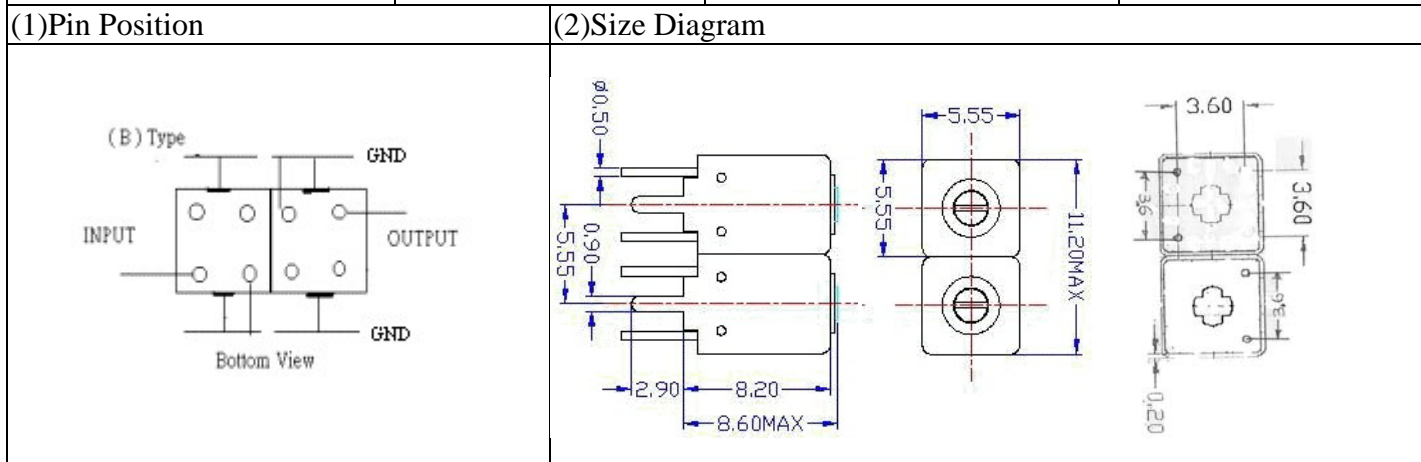
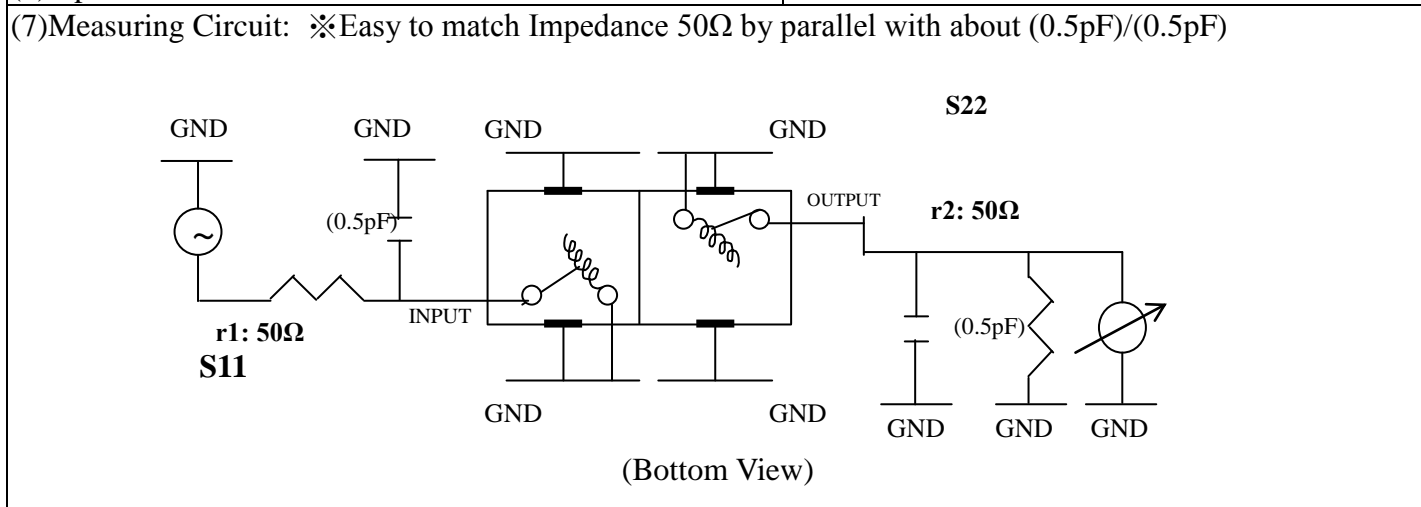


VHF UHF Helical Filter Specification Sheet

Customer Name		Temwell's Part No.	TDW2909B-575M
Approval No. /dated	0901019CD	Temwell's print Name.	2909B 575M
Work Instruction No.	200901019CD	Date	Jan.20.2009



(3) Electric Characteristic			
Item	Specify	Performance	
Center Freq.(Fo) +/- 0.5 %	575 MHz	575 MHz	
Tunable Range:	575±3 MHz	575±3 MHz	
Insertion Loss	Typ. 2.5 dB	1.23 dB	
-3 dB Bandwidth	Typ. 40 MHz	47.9 MHz	
Sensitivity (Attenuation)	Fo - 100 MHz	Typ. 19 dBc	22 dBc
	Fo + 100 MHz	Typ. 23 dBc	27 dBc
	Fo - ()MHz	Typ. dBc	dBc
	Fo + ()MHz	Typ. dBc	dBc
Return Loss	Min. 12 dB	36.5 dB	
Ripple	< 1 dB	dB	
Impedance	In / Out : 50 Ω	In / Out : 50 Ω	
(4) Torque for Tuning Screw			
> 60gf • cm			
(5) Temperature Condition:			
Operating Temperature		0°C ~ +60°C	
Storage Temperature		-20°C ~ +70°C	
(6) Input Power			
> 0.5Watt			



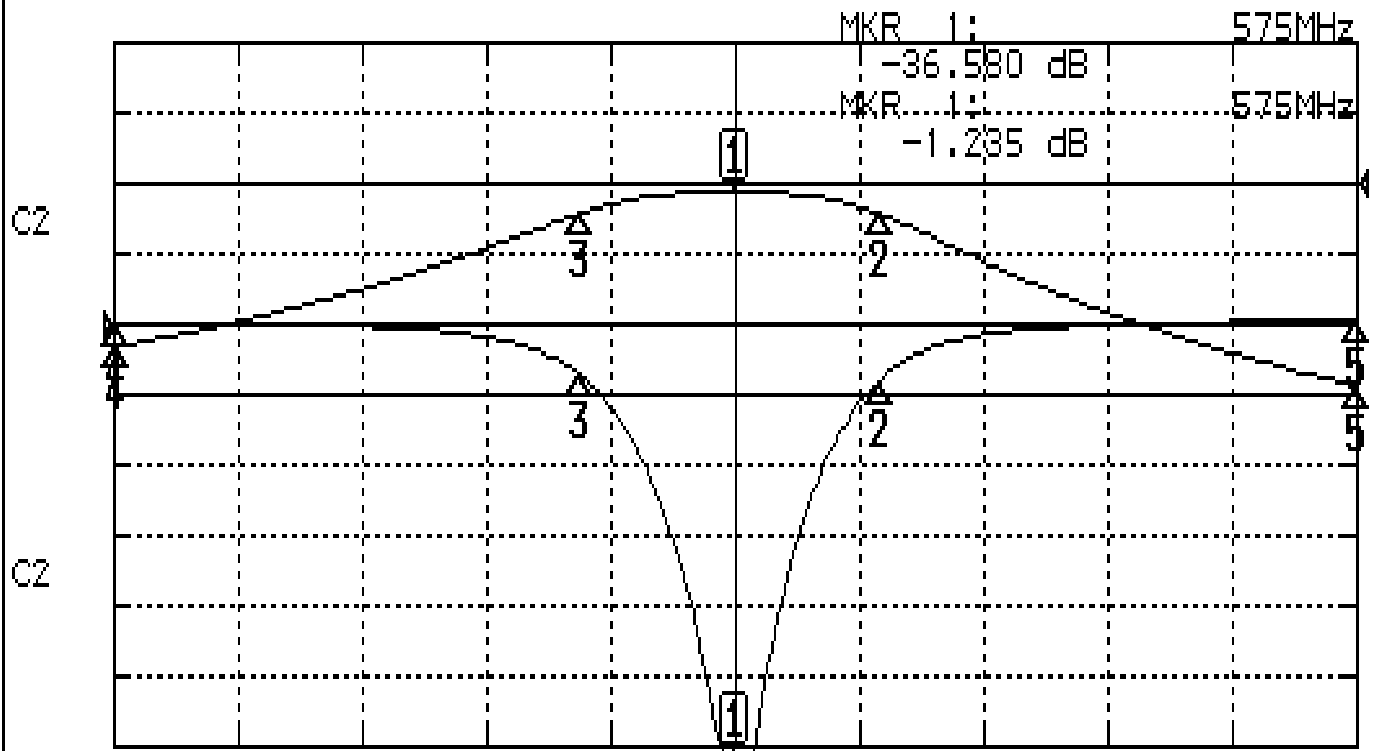
Approval	Supervisor	Designer	Aperture size
C.Y.Chang	C.S.Chang	W..W.Wang	5W2S(3.8*5.1)(5.15) 5HW020RB4.5

TEMWELL CORPORATION

Performance-TDW2909B-575M

200901019CD

CH1 S11 LOG MAG REF 0.000 dB 5.000 dB/
CH2 S21 LOG MAG REF 0.000 dB 10.000 dB/



CENTER 575MHz

[10.00 dBm]

SPAN 200MHz

CH1 MARKER LIST

Marker	Frequency (MHz)	Magnitude (dB)
1:	575.000MHz	-36.524 dB
2:	598.000MHz	-4.111 dB
3:	550.166MHz	-3.642 dB
4:	475.000MHz	0.101 dB
5:	675.000MHz	0.247 dB

CH2 MARKER LIST

Marker	Frequency (MHz)	Magnitude (dB)
1:	575.000MHz	-1.235 dB
2:	598.000MHz	-4.231 dB
3:	550.166MHz	-4.250 dB
4:	475.000MHz	-23.212 dB
5:	675.000MHz	-28.780 dB