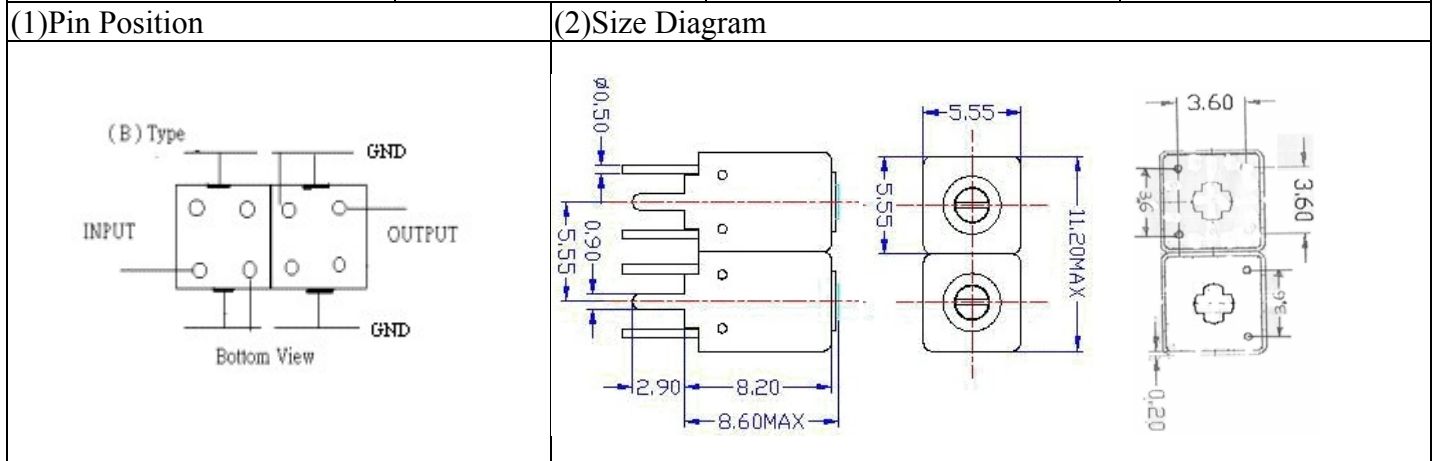


VHF UHF Helical Filter Specification Sheet

Customer Name		Temwell's Part No.	TDW2907B-475M
Approval No. /dated	0901017CD	Temwell's print Name.	2907B 475M
Work Instruction No.	200901017CD	Date	Mar.21.2009



(3) Electric Characteristic

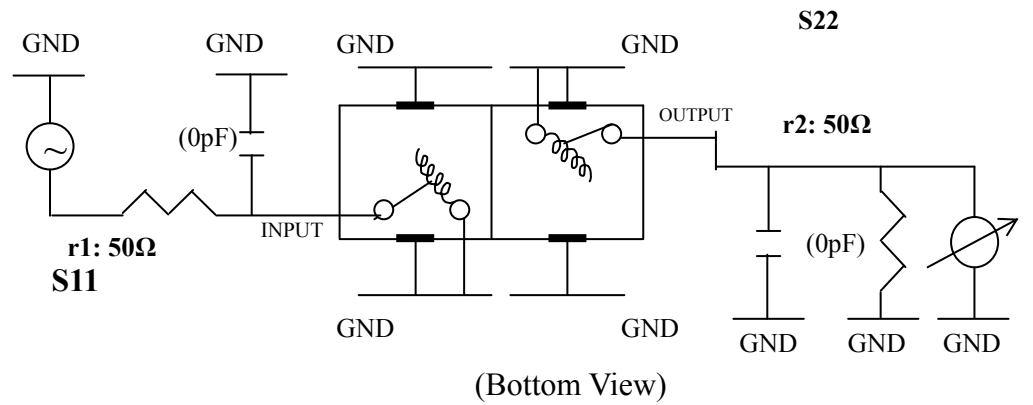
Item	Specify	Performance	
Center Freq.(Fo) +/- 0.5 %	475 MHz	475 MHz	
Tunable Range:	475±3 MHz	475±3 MHz	
Insertion Loss	Typ. 2.0 dB	1.34 dB	
-3 dB Bandwidth	Typ. 40 MHz	44.8 MHz	
Sensitivity (Attenuation)	Fo - 100 MHz	Typ. 14 dBc	17 dBc
	Fo + 100 MHz	Typ. 26 dBc	29 dBc
	Fo - ()MHz	Typ. dBc	dBc
	Fo + ()MHz	Typ. dBc	dBc
Return Loss	Min. 12 dB	22.5 dB	
Ripple	< 1 dB	dB	
Impedance	In / Out : 50 Ω	In / Out : 50 Ω	
(4) Torque for Tuning Screw	> 60gf · cm		

(5) Temperature Condition:

Operating Temperature	0°C ~ +60°C
Storage Temperature	-20°C ~ +70°C

(6) Input Power > 0.5Watt

(7) Measuring Circuit: ※Easy to match Impedance 50Ω by parallel with about (0pF)/(0pF)



Approval C.Y.Chang	Supervisor C.K.Chang	Designer C.S.Chang	Aperture size 5W2S(3.8*3.5)(3.59) (5HW020RB4.5)
-----------------------	-------------------------	-----------------------	---

TEMWELL CORPORATION

Performance-TDW2907B-475M

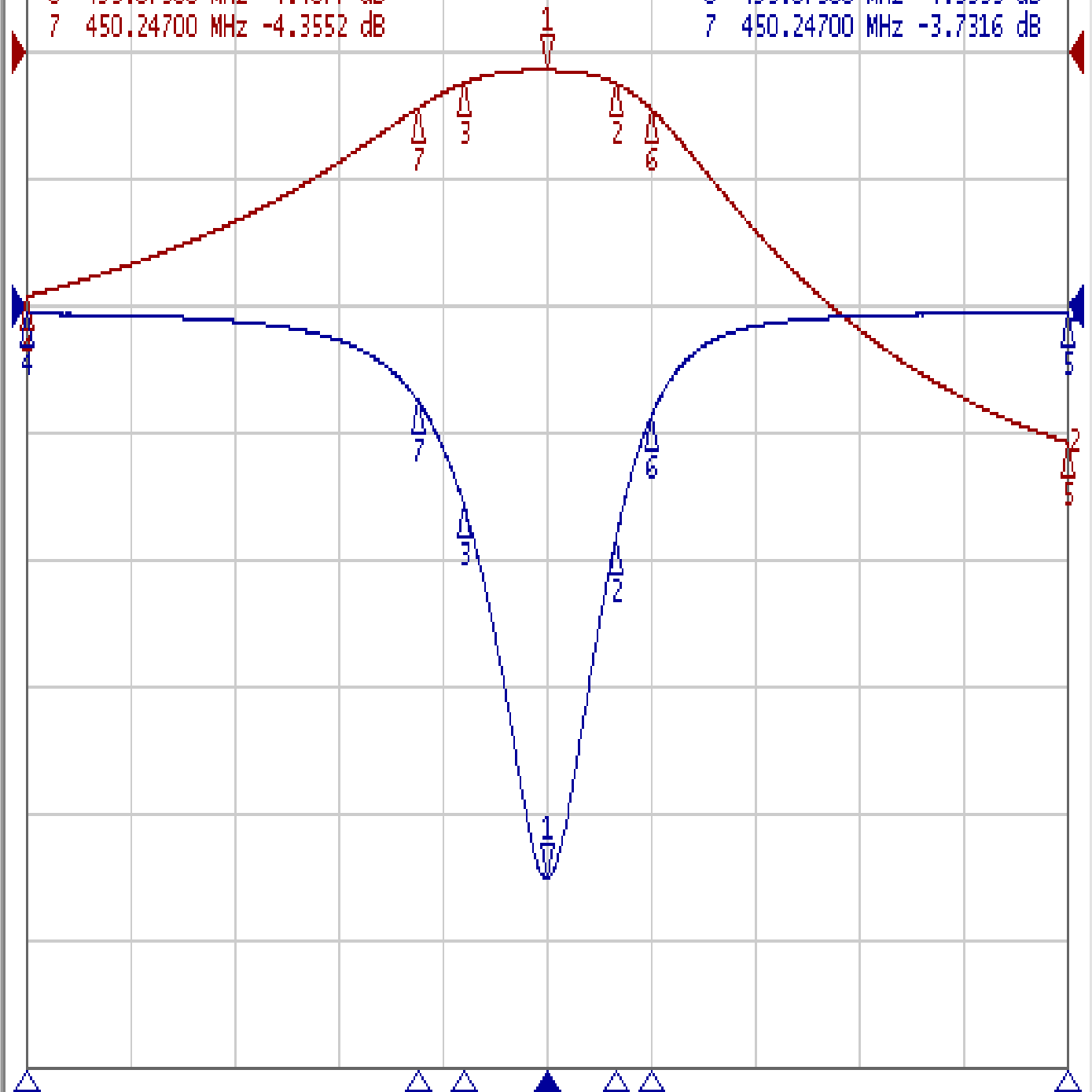
200901017CD

Tr1 S11 Log Mag 5.000dB/ Ref 0.000dB [F3]

Tr2 S21 Log Mag 10.00dB/ Ref 0.000dB [F3]

1	475.00000 MHz	-1.3482 dB
2	488.27075 MHz	-2.3574 dB
3	459.05250 MHz	-2.3600 dB
4	375.00000 MHz	-19.213 dB
5	575.00000 MHz	-30.672 dB
6	495.07500 MHz	-4.4077 dB
7	450.24700 MHz	-4.3552 dB

>1	475.00000 MHz	-22.589 dB
2	488.27075 MHz	-9.1854 dB
3	459.05250 MHz	-7.7939 dB
4	375.00000 MHz	-0.2954 dB
5	575.00000 MHz	-0.2377 dB
6	495.07500 MHz	-4.3533 dB
7	450.24700 MHz	-3.7316 dB



1 Center 475 MHz

IFBW 10 kHz

Span 200 MHz

