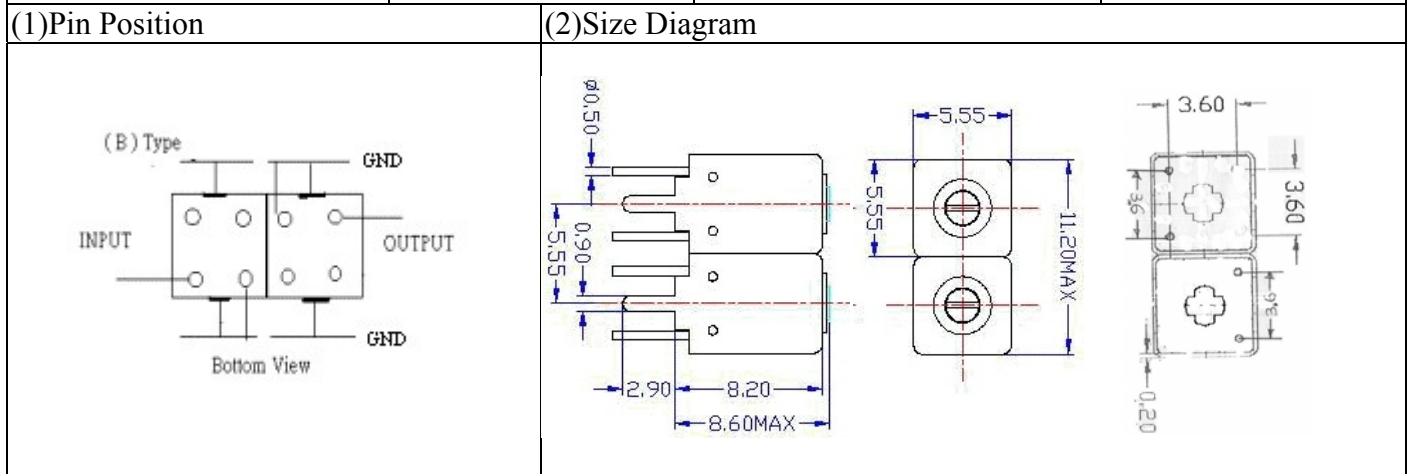


# VHF UHF Helical Filter Specification Sheet

Customer Name		Temwell's Part No.	TDW2904B-325M
Approval No. /dated	0901014CD	Temwell's print Name.	2904B 325M
Work Instruction No.	200901014CD	Date	Mar.12.2009



### (3) Electric Characteristic

Item	Specify	Performance	
Center Freq.(Fo) +/- 0.5 %	325 MHz	325 MHz	
Tunable Range:	325±3 MHz	325±3 MHz	
Insertion Loss	Typ. 2.0 dB	1.01 dB	
-3 dB Bandwidth	Typ. 40 MHz	44.5 MHz	
Sensitivity (Attenuation)	Fo - 100 MHz	Typ. 19 dBc	22 dBc
	Fo + 100 MHz	Typ. 24 dBc	27 dBc
	Fo - ( )MHz	Typ. dBc	dBc
	Fo +( )MHz	Typ. dBc	dBc
Return Loss	Min. 12 dB	21.2 dB	
Ripple	< 1 dB	dB	
Impedance	In / Out : 50 Ω	In / Out : 50 Ω	

(4) Torque for Tuning Screw > 60gf · cm

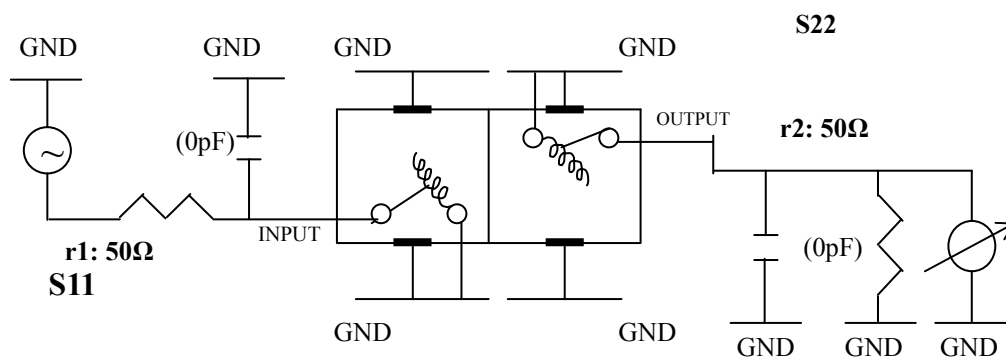
(5) Temperature Condition:

Operating Temperature 0°C ~ +60°C

Storage Temperature -20°C ~ +70°C

(6) Input Power > 0.5Watt

(7) Measuring Circuit: ※Easy to match Impedance 50Ω by parallel with about (0pF)/(0pF)



(Bottom View)

Approval	Supervisor	Designer	Aperture size
C.Y.Chang	C.K.Chang	C.S.Chang	5W2S(3.8*4.0)(4.08) (5HW020RB4.5)

TEMWELL CORPORATION

TEMWELL

Form10-5W2B Vision D

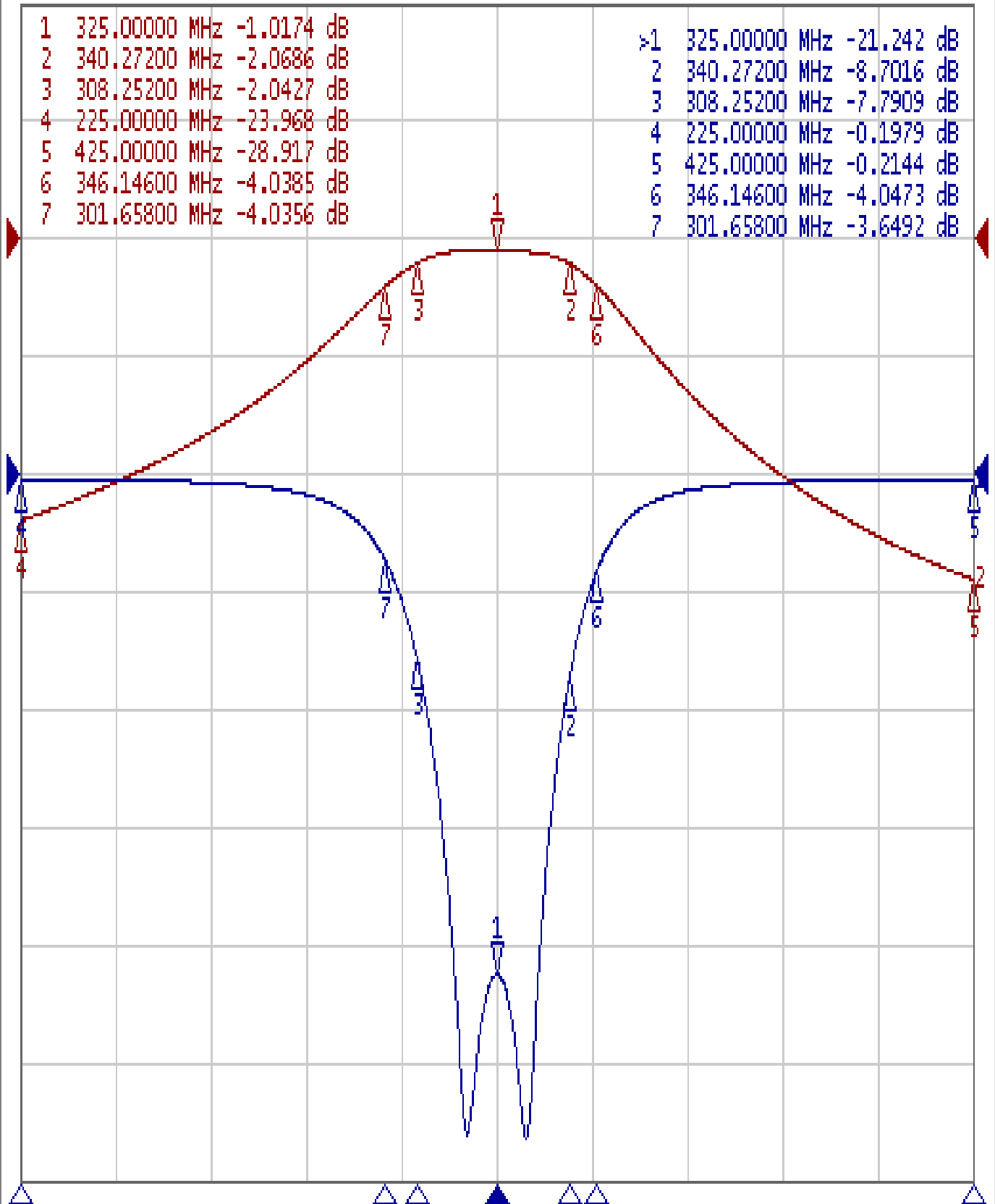
RP(C.S.C)

# Performance-TDW2904B-325M

## 200901014CD

Tr1 S11 Log Mag 5.000dB/ Ref 0.000dB [F3]

Tr2 S21 Log Mag 10.00dB/ Ref 0.000dB [F3]



1 Center 325 MHz

IFBW 10 kHz

Span 200 MHz

