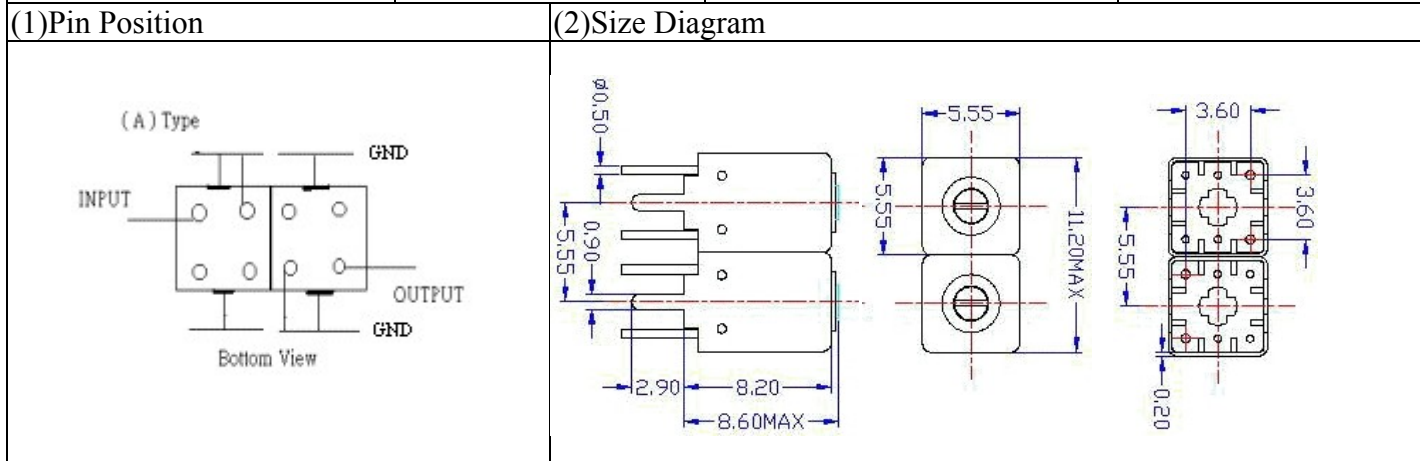


VHF UHF Helical Filter Specification Sheet

Customer Name		Temwell's Part No.	TDW2897A-475M
Approval No. /dated	0806008CD	Temwell's print name.	2897A 475M
Work Instruction No.	0806008CD	Date	June.09.2008



(3) Electric Characteristic

Item	Specify	Performance	
Center Freq.(Fo) +/- 0.5 %	475 MHz	475 MHz	
Tunable Range:	475±5 MHz	475±5 MHz	
Insertion Loss	Typ. 2.5 dB	1.84 dB	
-3 dB Bandwidth	Typ. 20 MHz	26.3 MHz	
Sensitivity (Attenuation)	Fo - 50 MHz	Typ. 15 dBc	18 dBc
	Fo + 50 MHz	Typ. 23 dBc	26 dBc
	Fo - ()MHz	Typ. dBc	dBc
	Fo + ()MHz	Typ. dBc	dBc
Return Loss	Min. 12 dB	34.3 dB	
Ripple	< 1 dB	dB	
Impedance	In / Out : 50 Ω	In / Out : 50 Ω	

(4) Torque for Tuning Screw > 60gf · cm

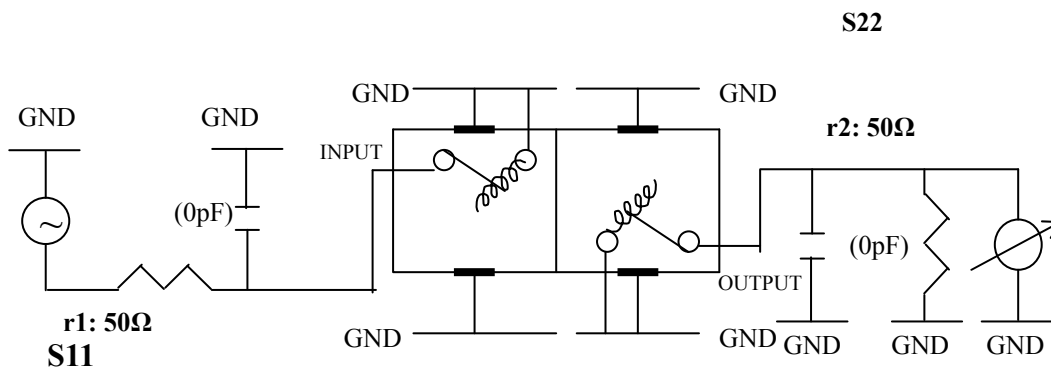
(5) Temperature Condition:

Operating Temperature 0°C ~ +60°C

Storage Temperature -20°C ~ +70°C

(6) Input Power > 0.5Watt

(7) Measuring Circuit: ※Easy to match Impedance 50Ω/ by parallel with about (0) pF.



(Bottom View)

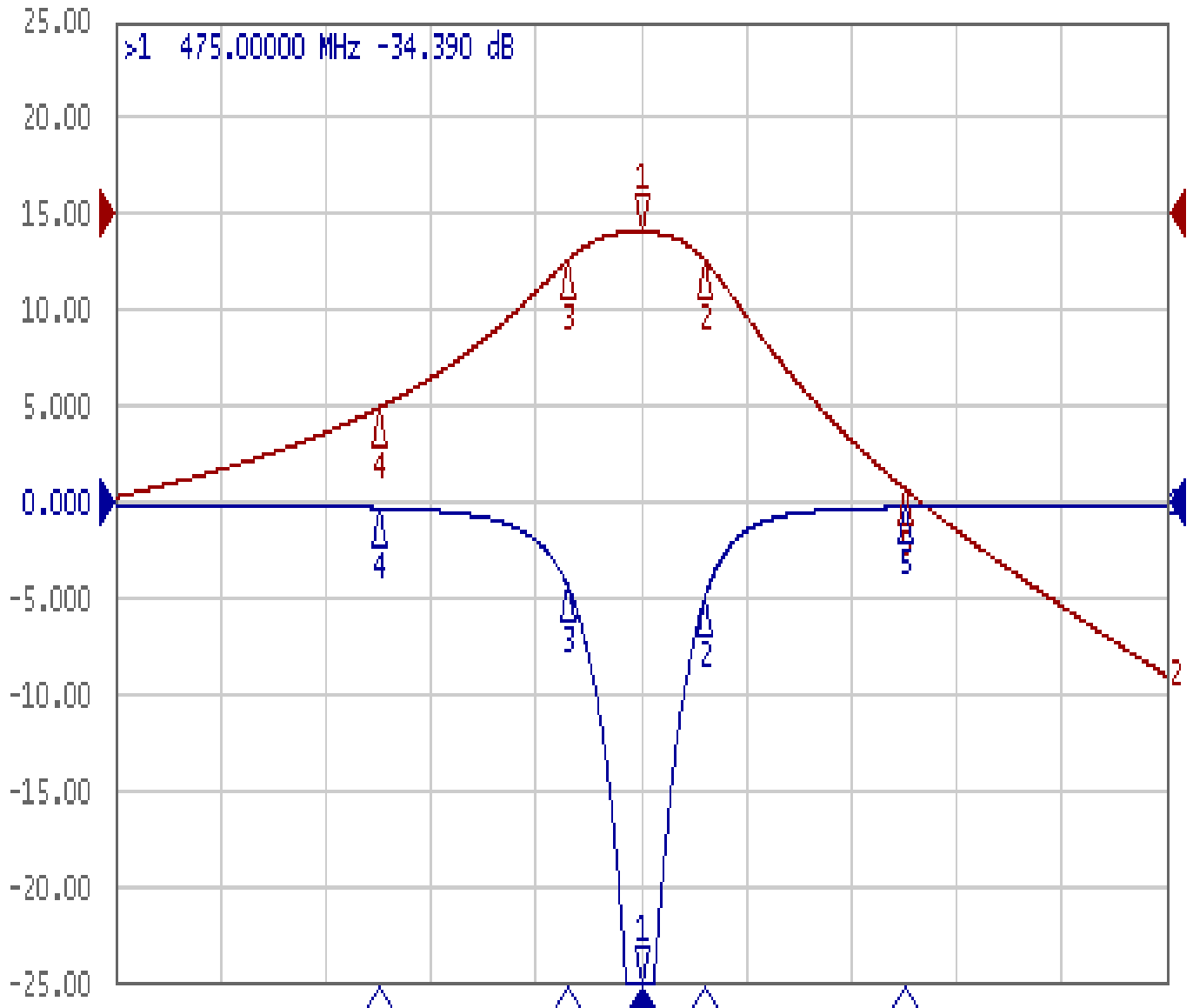
Approval	Supervisor	Designer	Aperture size
C.Y.Chang	C.S.Chang	C.S.Chang	5W2S(3.8*4.0) 5HW020RB3.5

TEMWELL CORPORATION

Performance-TDW2897A-475M

0806008CD

Tr1 S11 Log Mag 5.000dB/ Ref 0.000dB [F3]
Tr2 S21 Log Mag 10.00dB/ Ref 0.000dB [F3]



1 Center 475 MHz

IFBW 10 kHz

Span 200 MHz

C?

Ch1	Tr1	S11	>1	475.00000	MHz	-34.390	dB
Ch1	Tr1	S11	2	487.17800	MHz	-4.9359	dB
Ch1	Tr1	S11	3	460.88900	MHz	-4.3362	dB
Ch1	Tr1	S11	4	425.00000	MHz	-0.3023	dB
Ch1	Tr1	S11	5	525.00000	MHz	-0.2642	dB
Ch1	Tr2	S21	1	475.00000	MHz	-1.8429	dB
Ch1	Tr2	S21	2	487.17800	MHz	-4.8826	dB
Ch1	Tr2	S21	3	460.88900	MHz	-4.8874	dB
Ch1	Tr2	S21	4	425.00000	MHz	-20.230	dB
Ch1	Tr2	S21	5	525.00000	MHz	-28.551	dB