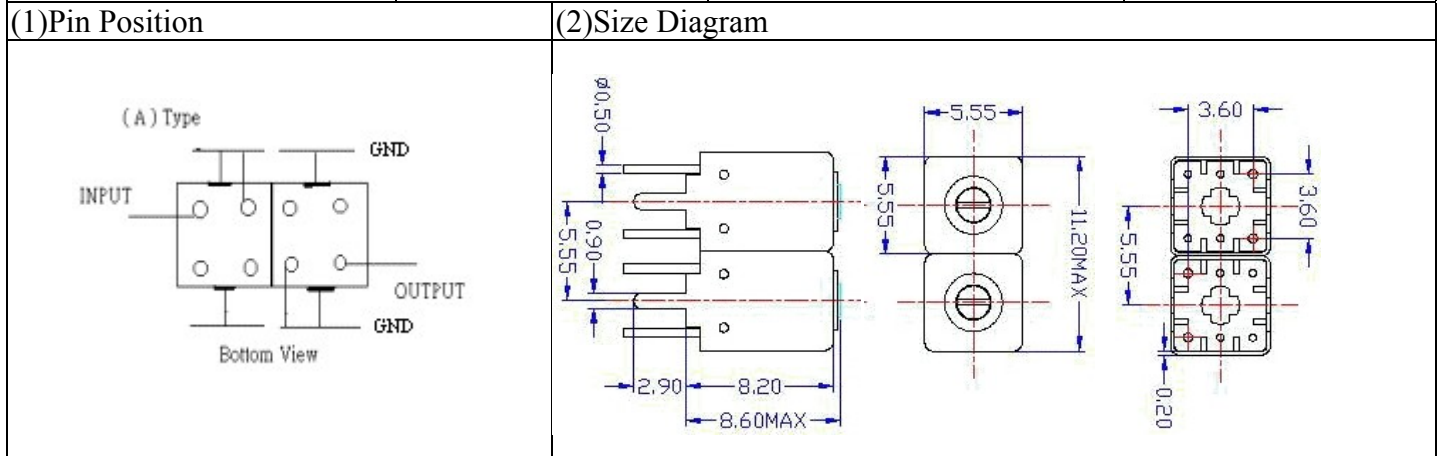


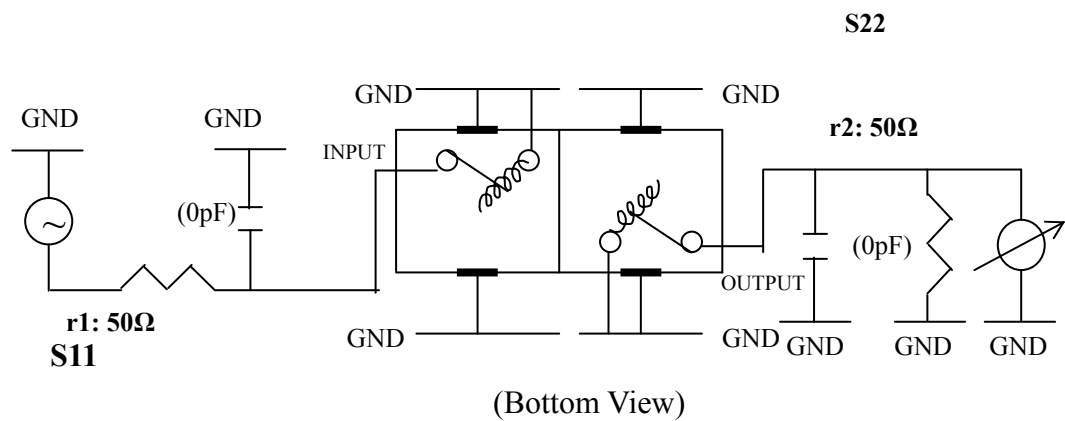
VHF UHF Helical Filter Specification Sheet

Customer Name		Temwell's Part No.	TDW2894A-325M
Approval No. /dated	0806005CD	Temwell's print name.	2894A 325M
Work Instruction No.	0806005CD	Date	June.09.2008



(3) Electric Characteristic			
Item	Specify	Performance	
Center Freq.(Fo) +/- 0.5 %	325 MHz	325 MHz	
Tunable Range:	325±4 MHz	325±4 MHz	
Insertion Loss	Typ. 2.5 dB	1.28 dB	
-3 dB Bandwidth	Typ. 20 MHz	24.8 MHz	
Sensitivity (Attenuation)	Fo - 50 MHz	Typ. 18 dBc	21 dBc
	Fo + 50 MHz	Typ. 23 dBc	26 dBc
	Fo - ()MHz	Typ. dBc	dBc
	Fo +()MHz	Typ. dBc	dBc
Return Loss	Min. 12 dB	30.4 dB	
Ripple	< 1 dB	dB	
Impedance	In / Out : 50 Ω	In / Out : 50 Ω	
(4) Torque for Tuning Screw			
> 60gf · cm			
(5) Temperature Condition:			
Operating Temperature		0°C ~ +60°C	
Storage Temperature		-20°C ~ +70°C	
(6) Input Power		> 0.5Watt	

(7) Measuring Circuit: ※Easy to match Impedance 50Ω/ by parallel with about (0) pF.



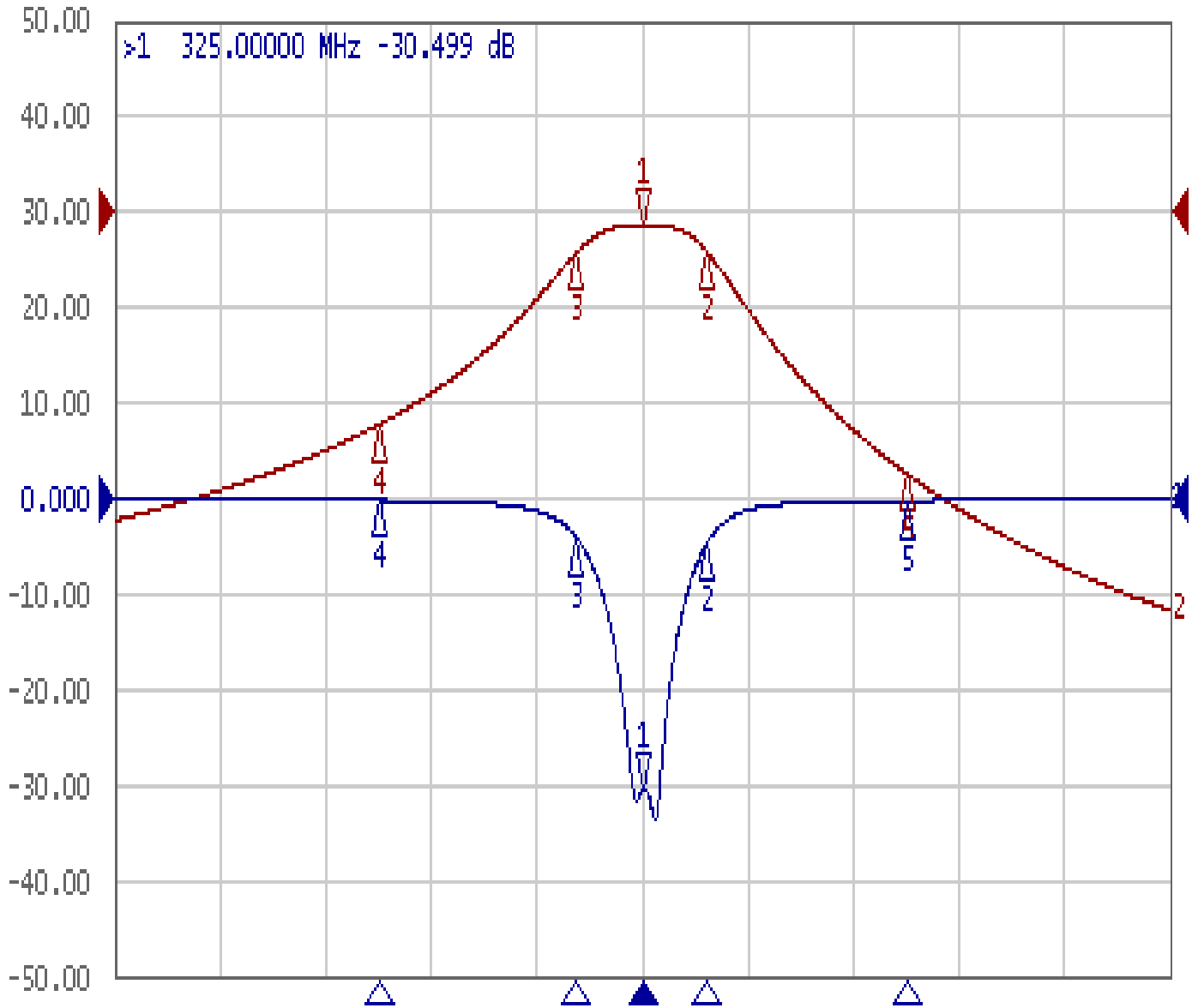
Approval C.Y.Chang	Supervisor C.S.Chang	Designer C.S.Chang	Aperture size 5W2S(3.8*4.5) 5HW020RB3.5
-----------------------	-------------------------	-----------------------	---

TEMWELL CORPORATION

Performance-TDW2894A-325M

0806005CD

▶ Tr1 S11 Log Mag 10.00dB/ Ref 0.000dB [F3]
Tr2 S21 Log Mag 10.00dB/ Ref 0.000dB [F3]



1 Center 325 MHz

IFBW 10 kHz

Span 200 MHz

Ch1	Tr1	S11	>1	325.00000	MHz	-30.499	dB
Ch1	Tr1	S11	2	337.33800	MHz	-4.5051	dB
Ch1	Tr1	S11	3	312.52300	MHz	-4.0821	dB
Ch1	Tr1	S11	4	275.00000	MHz	-0.1897	dB
Ch1	Tr1	S11	5	375.00000	MHz	-0.2066	dB
Ch1	Tr2	S21	1	325.00000	MHz	-1.2898	dB
Ch1	Tr2	S21	2	337.33800	MHz	-4.2248	dB
Ch1	Tr2	S21	3	312.52300	MHz	-4.2433	dB
Ch1	Tr2	S21	4	275.00000	MHz	-22.240	dB
Ch1	Tr2	S21	5	375.00000	MHz	-27.334	dB