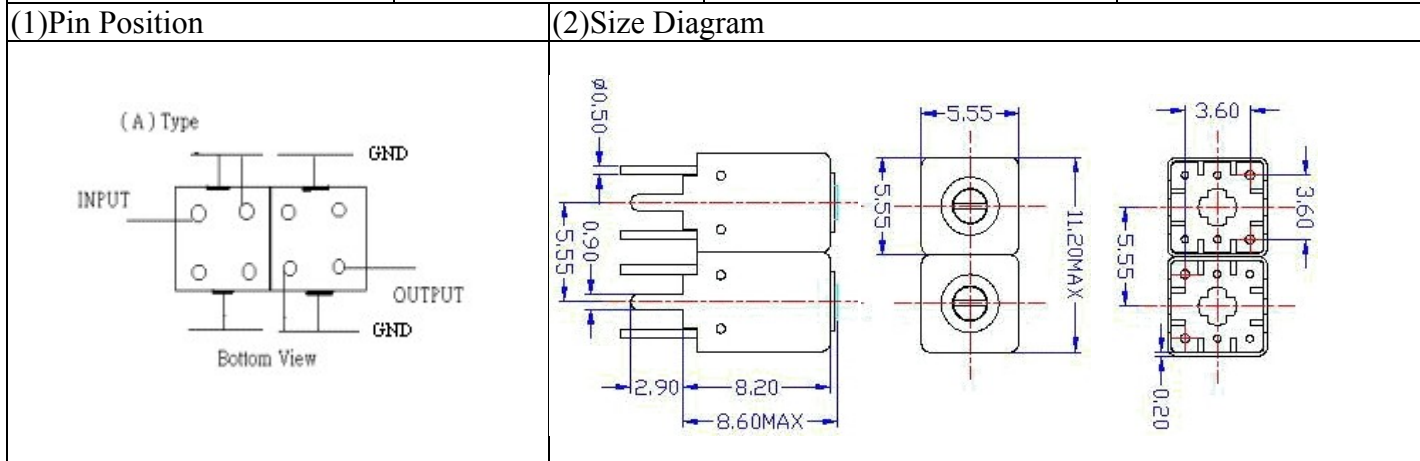


VHF UHF Helical Filter Specification Sheet

| | | | |
|----------------------|-----------|-----------------------|---------------|
| Customer Name | | Temwell's Part No. | TDW2893A-575M |
| Approval No. /dated | 0806016CD | Temwell's print name. | 2893A 575M |
| Work Instruction No. | 0806016CD | Date | June.11.2008 |



(3) Electric Chararistic

| Item | Specify | Performance | |
|------------------------------|-----------------|-----------------|--------|
| Center Freq.(Fo) +/- 0.5 % | 575 MHz | 575 MHz | |
| Tunable Range: | 575±5 MHz | 575±5 MHz | |
| Insertion Loss | Typ. 3.0 dB | 2.28 dB | |
| -3 dB Bandwidth | Typ. 10 MHz | 21.2 MHz | |
| Sensitivity (Attenuation) | Fo - 50 MHz | Typ. 20 dBc | 23 dBc |
| | Fo + 50 MHz | Typ. 23 dBc | 26 dBc |
| | Fo - ()MHz | Typ. dBc | dBc |
| | Fo + ()MHz | Typ. dBc | dBc |
| Return Loss | Min. 12 dB | 44.9 dB | |
| Ripple | < 1 dB | dB | |
| Impedance | In / Out : 50 Ω | In / Out : 50 Ω | |

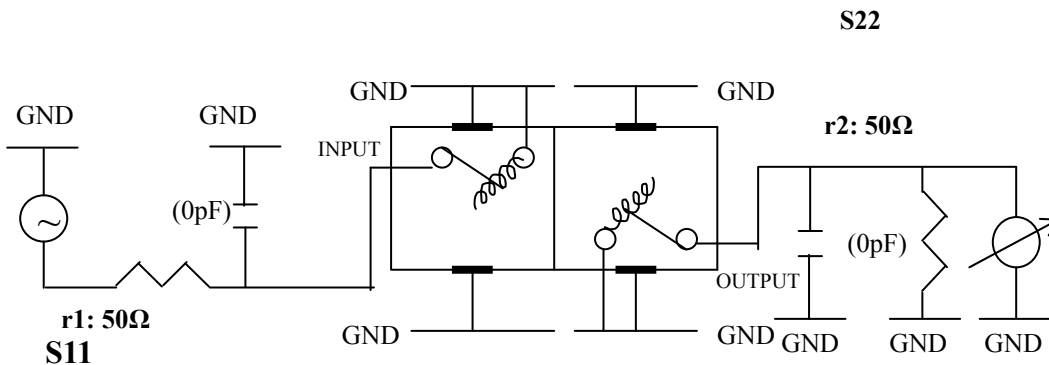
(4) Torque for Tuning Screw > 60gf · cm

(5) Temperature Condition:

| | |
|-----------------------|---------------|
| Operating Temperature | 0°C ~ +60°C |
| Storage Temperature | -20°C ~ +70°C |

(6) Input Power > 0.5Watt

(7) Measuring Circuit: ※Easy to match Impedance 50Ω/ by parallel with about (0) pF.



(Bottom View)

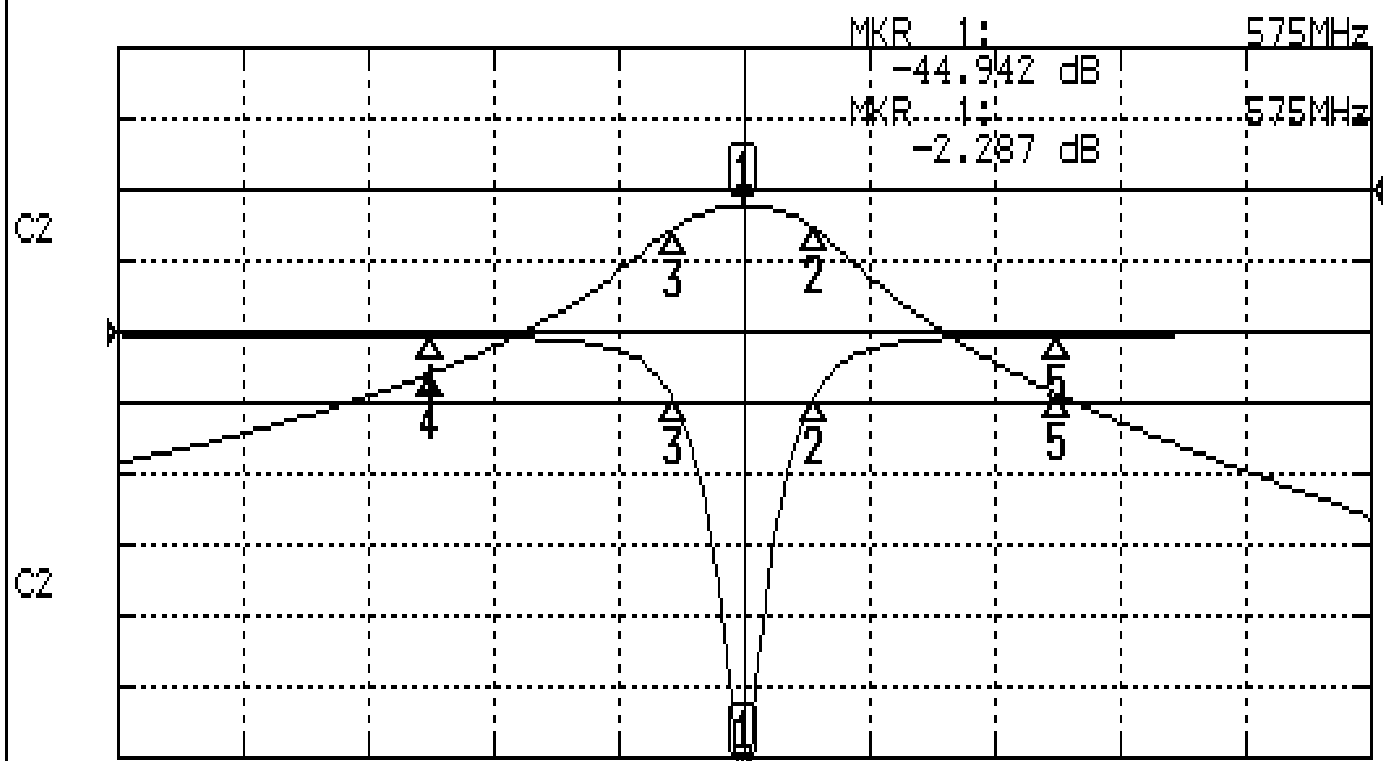
| | | | |
|-----------|------------|------------|------------------------------|
| Approval | Supervisor | Designer | Aperture size |
| C.Y.Chang | C.S.Chang | P.H.Chiang | 5W2S(3.8*3.5) 5HW020RB3.5 |

TEMWELL CORPORATION

Performance-TDW2893A-575M

0806016CD

CH1 S11 LOG MAG REF 0.000 dB 5.000 dB/
CH2 S21 LOG MAG REF 0.000 dB 10.000 dB/



CENTER 575MHz

[10.00 dBm]

SPAN 200MHz

CH1 MARKER LIST

| | | |
|----|------------|------------|
| 1: | 575.000MHz | -44.942 dB |
| 2: | 586.000MHz | -4.806 dB |
| 3: | 563.833MHz | -4.795 dB |
| 4: | 525.000MHz | -0.249 dB |
| 5: | 625.000MHz | -0.204 dB |

CH2 MARKER LIST

| | | |
|----|------------|------------|
| 1: | 575.000MHz | -2.287 dB |
| 2: | 586.000MHz | -5.233 dB |
| 3: | 563.833MHz | -5.294 dB |
| 4: | 525.000MHz | -25.798 dB |
| 5: | 625.000MHz | -28.770 dB |