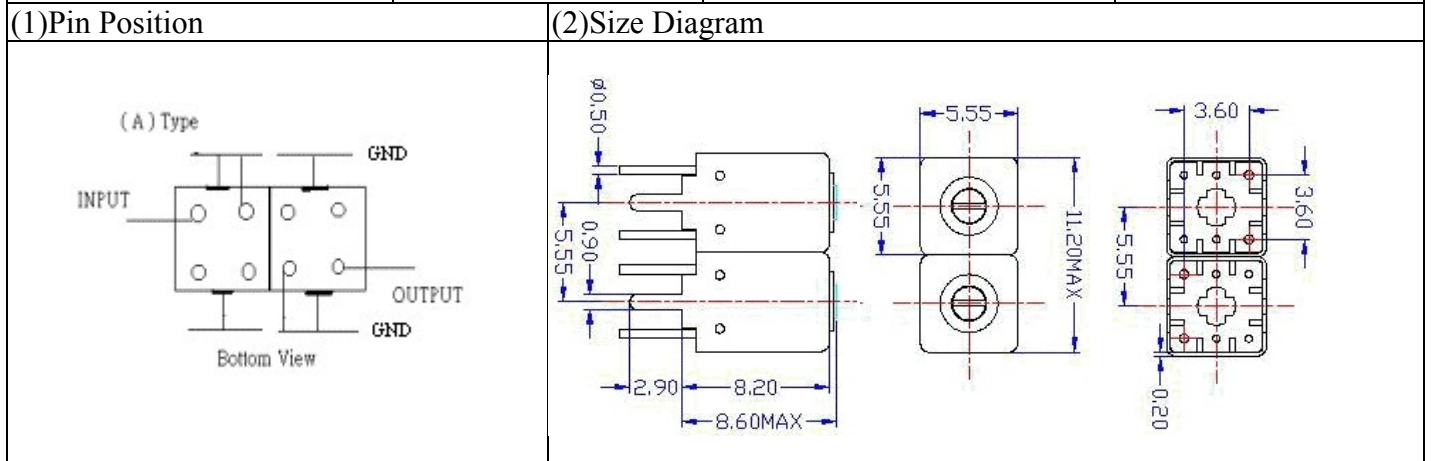


# VHF UHF Helical Filter Specification Sheet

Customer Name		Temwell's Part No.	TDW2892A-525M
Approval No. /dated	0806015CD	Temwell's print name.	2892A 525M
Work Instruction No.	0806015CD	Date	June.10.2008



(3) Electric Chararistic

Item	Specify	Performance
Center Freq.(Fo) +/- 0.5 %	525 MHz	525 MHz
Tunable Range:	525±5 MHz	525±5 MHz
Insertion Loss	Typ. 3.0 dB	2.49 dB
-3 dB Bandwidth	Typ. 10 MHz	17.0 MHz
Sensitivity (Attenuation)	Fo - 50 MHz	Typ. 22 dBc
	Fo + 50 MHz	Typ. 28 dBc
	Fo - ( )MHz	Typ. dBc
	Fo + ( )MHz	Typ. dBc
Return Loss	Min. 12 dB	31.1 dB
Ripple	< 1 dB	dB
Impedance	In / Out : 50 Ω	In / Out : 50 Ω

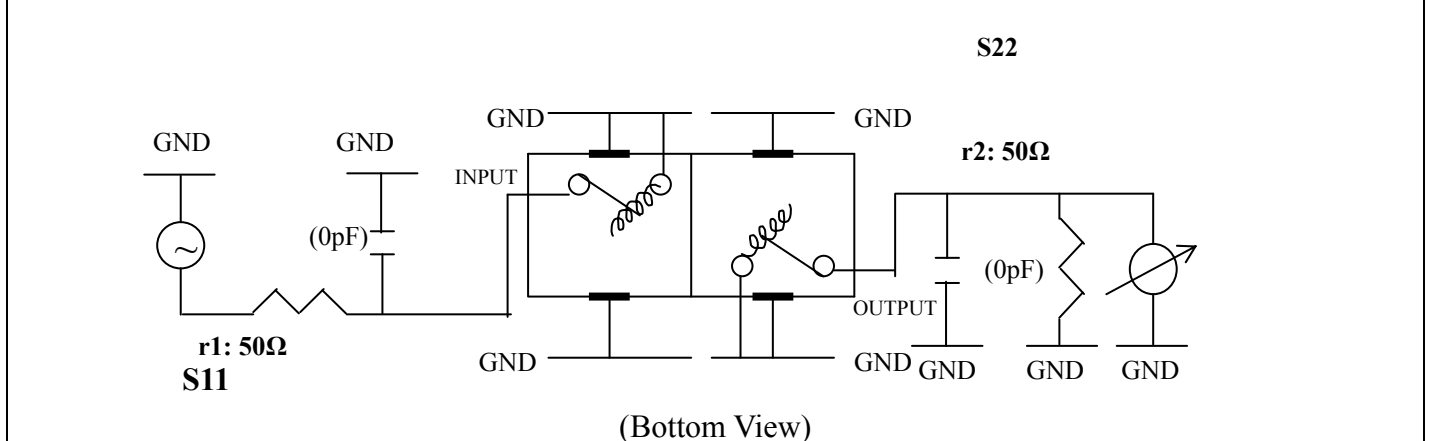
(4) Torque for Tuning Screw > 60gf · cm

(5) Temperature Condition:

Operating Temperature	0°C ~ +60°C
Storage Temperature	-20°C ~ +70°C

(6) Input Power > 0.5Watt

(7) Measuring Circuit: ※Easy to match Impedance 50Ω/ by parallel with about (0 ) pF.

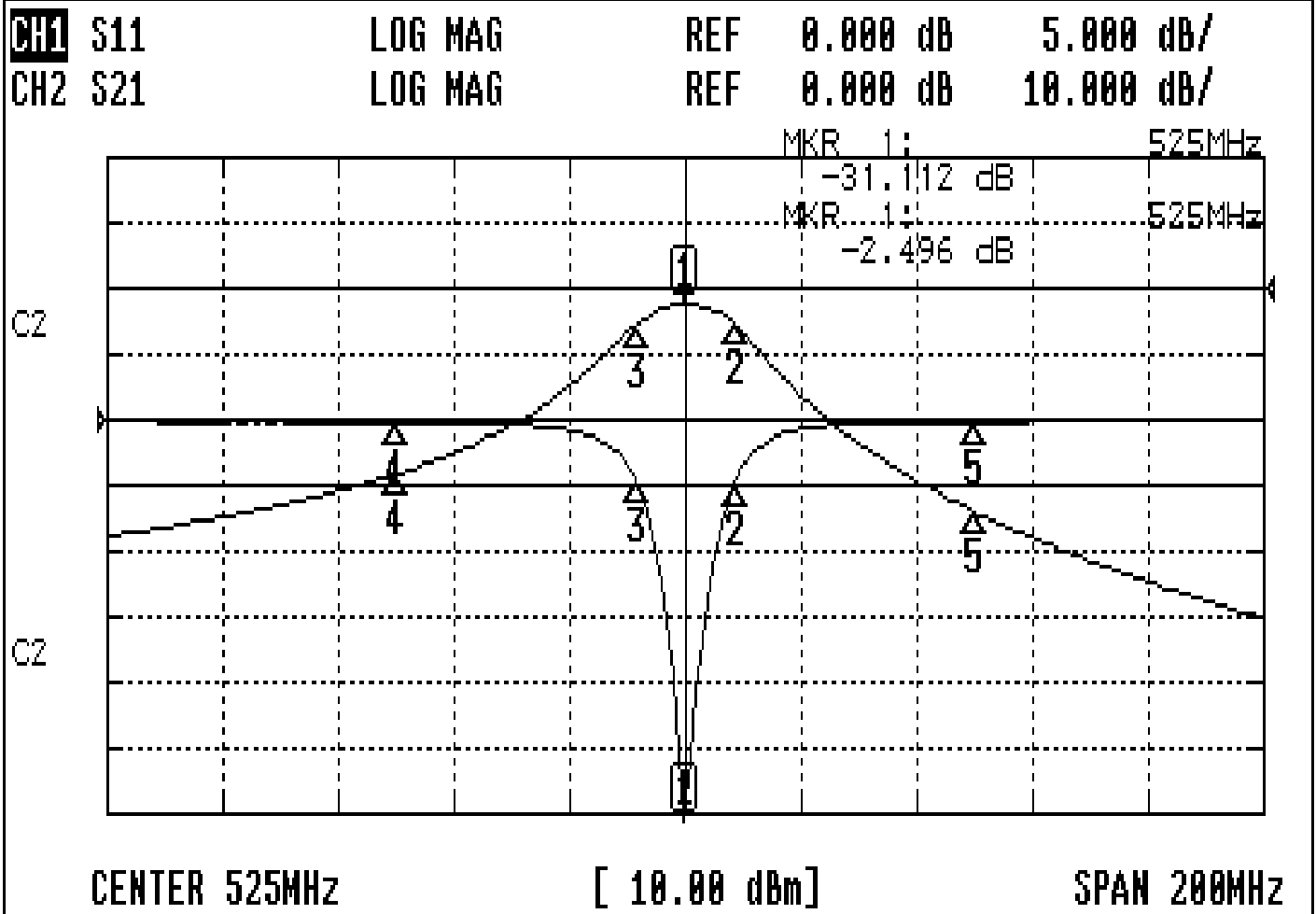


Approval	Supervisor	Designer	Aperture size
C.Y.Chang	C.S.Chang	P.H.Chiang	5W2S(3.8*3.5) 5HW020RB3.5

TEMWELL CORPORATION

# Performance-TDW2892A-525M

## 0806015CD



### CH1 MARKER LIST

1:	525.000MHz	-31.112	dB
2:	533.666MHz	-4.901	dB
3:	516.666MHz	-4.728	dB
4:	475.000MHz	-0.209	dB
5:	575.000MHz	-0.163	dB

### CH2 MARKER LIST

1:	525.000MHz	-2.496	dB
2:	533.666MHz	-5.491	dB
3:	516.666MHz	-5.415	dB
4:	475.000MHz	-28.245	dB
5:	575.000MHz	-33.952	dB