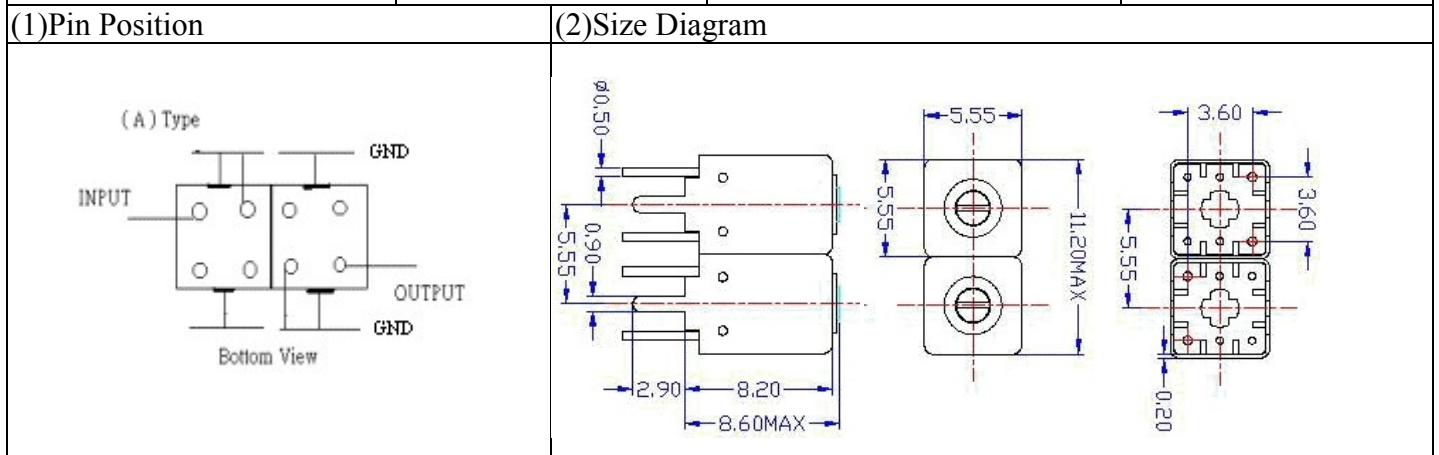
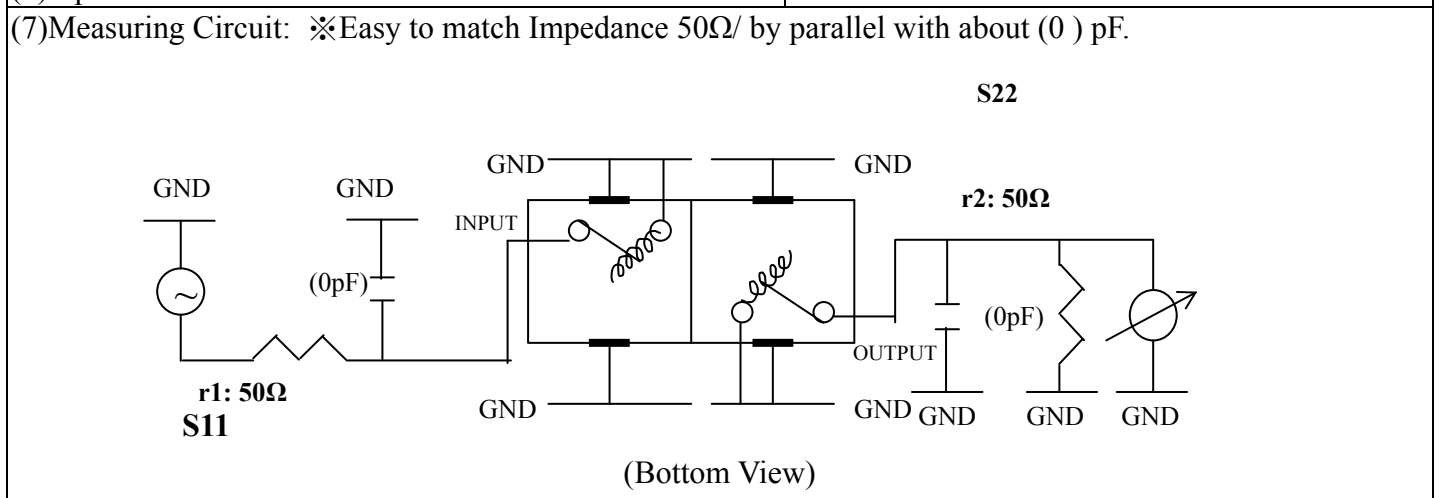


VHF UHF Helical Filter Specification Sheet

Customer Name		Temwell's Part No.	TDW2890A-425M
Approval No. /dated	0806013CD	Temwell's print name.	2890A 425M
Work Instruction No.	0806013CD	Date	June.10.2008



(3) Electric Characteristic			
Item		Specify	Performance
Center Freq.(Fo) +/- 0.5 %		425 MHz	425 MHz
Tunable Range:		425±4 MHz	425±4 MHz
Insertion Loss		Typ. 3.5 dB	2.25 dB
-3 dB Bandwidth		Typ. 10 MHz	17.0 MHz
Sensitivity (Attenuation)	Fo - 50 MHz	Typ. 23 dBc	26 dBc
	Fo + 50 MHz	Typ. 30 dBc	33 dBc
	Fo - ()MHz	Typ. dBc	dBc
	Fo + ()MHz	Typ. dBc	dBc
Return Loss		Min. 12 dB	28.2 dB
Ripple		< 1 dB	dB
Impedance		In / Out : 50 Ω	In / Out : 50 Ω
(4) Torque for Tuning Screw		> 60gf · cm	
(5) Temperature Condition:			
Operating Temperature		0°C ~ +60°C	
Storage Temperature		-20°C ~ +70°C	
(6) Input Power		> 0.5Watt	



Approval	Supervisor	Designer	Aperture size
C.Y.Chang	C.S.Chang	C.S.Chang	5W2S(3.8*3.5) 5HW020RB3.5

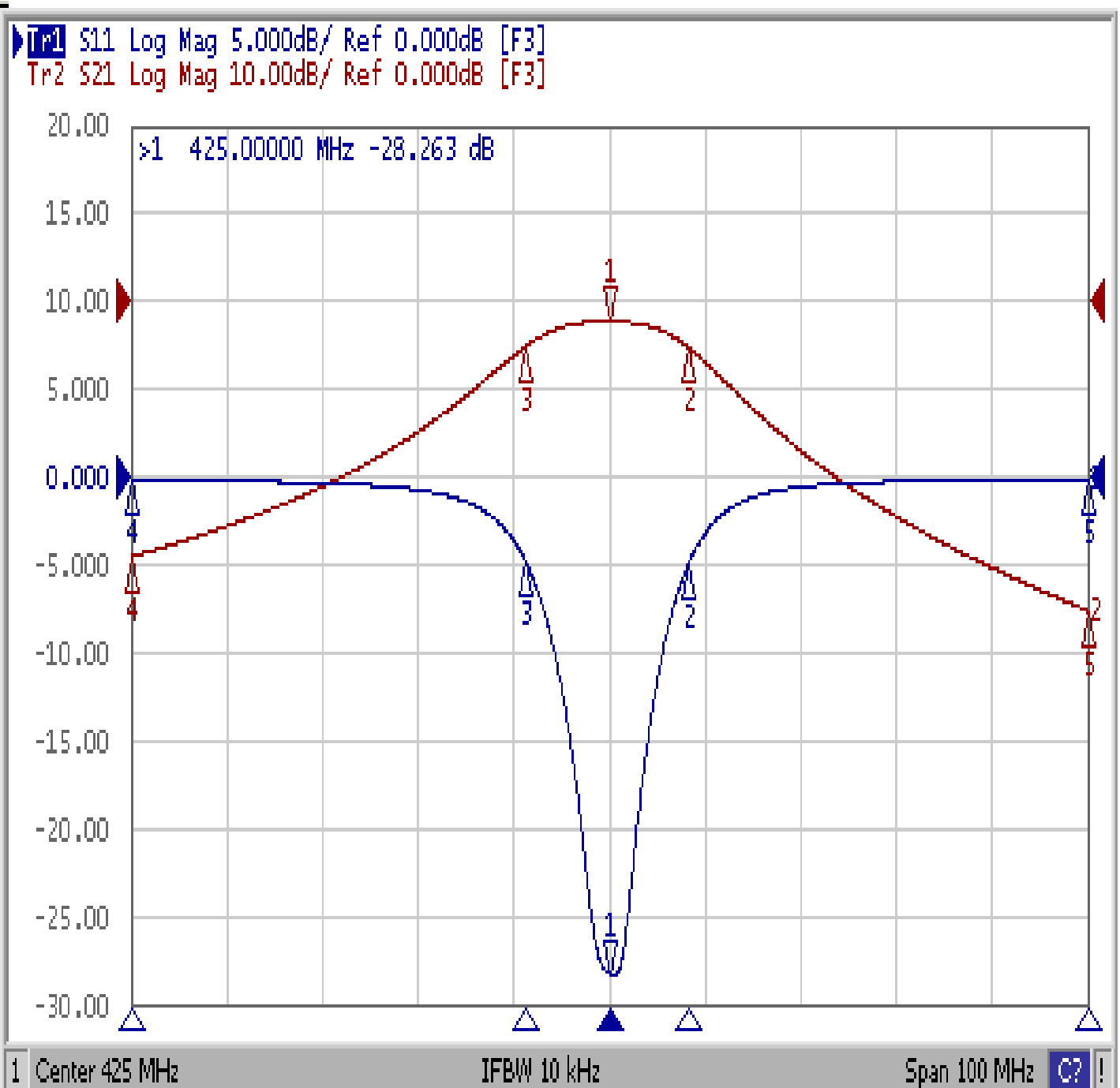
TEMWELL CORPORATION

TEMWELL

Form10-5W2A Vision D rp(ph)

Performance-TDW2890A-425M

0806013CD



Ch1	Tr1	S11	>1	425.00000	MHz	-28.263	dB
Ch1	Tr1	S11	2	433.21500	MHz	-4.9605	dB
Ch1	Tr1	S11	3	416.22575	MHz	-4.7931	dB
Ch1	Tr1	S11	4	375.00000	MHz	-0.1781	dB
Ch1	Tr1	S11	5	475.00000	MHz	-0.1504	dB
Ch1	Tr2	S21	1	425.00000	MHz	-2.2525	dB
Ch1	Tr2	S21	2	433.21500	MHz	-5.1954	dB
Ch1	Tr2	S21	3	416.22575	MHz	-5.1246	dB
Ch1	Tr2	S21	4	375.00000	MHz	-29.042	dB
Ch1	Tr2	S21	5	475.00000	MHz	-35.233	dB