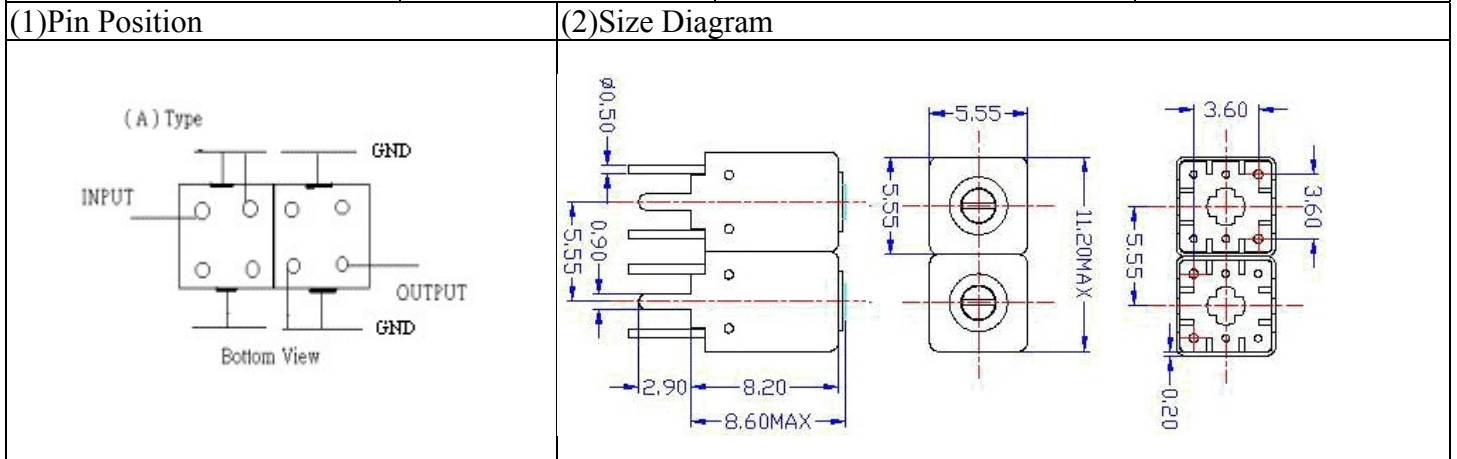


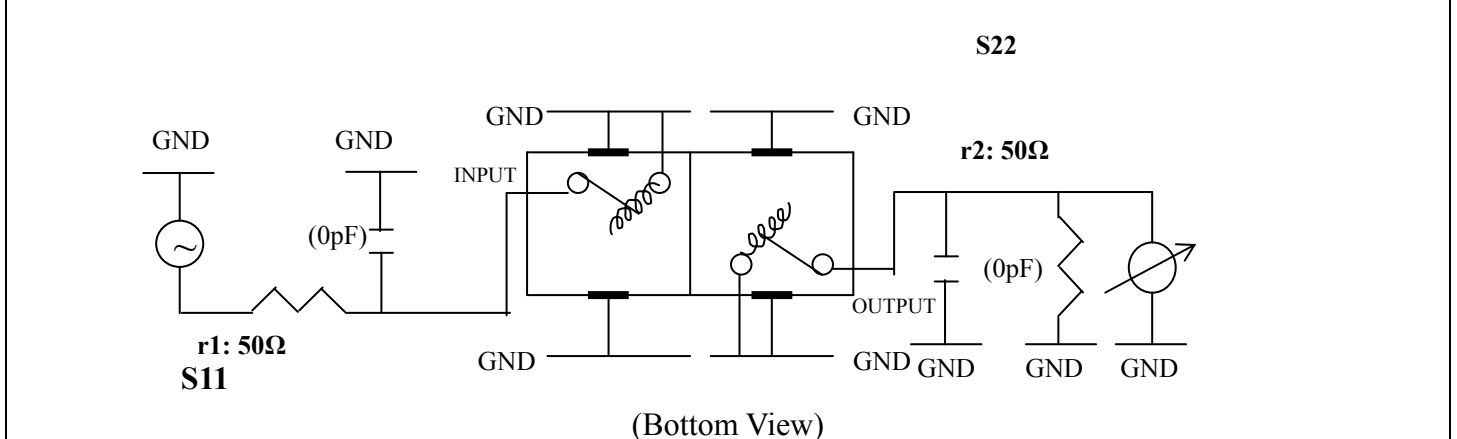
# VHF UHF Helical Filter Specification Sheet

Customer Name		Temwell's Part No.	TDW2889A-375M
Approval No. /dated	0806012CD	Temwell's print name.	2889A 375M
Work Instruction No.	0806012CD	Date	June.10.2008



(3) Electric Characteristic			
Item		Specify	Performance
Center Freq.(Fo ) +/- 0.5 %		375 MHz	375 MHz
Tunable Range:		375±4 MHz	375±4 MHz
Insertion Loss		Typ. 3.5 dB	2.04 dB
-3 dB Bandwidth		Typ. 10 MHz	15.6 MHz
Sensitivity (Attenuation)	Fo - 50 MHz	Typ. 25 dBc	28 dBc
	Fo + 50 MHz	Typ. 30 dBc	33 dBc
	Fo - ( )MHz	Typ. dBc	dBc
	Fo +( )MHz	Typ. dBc	dBc
Return Loss		Min. 12 dB	25.2 dB
Ripple		< 1 dB	dB
Impedance		In / Out : 50 Ω	In / Out : 50 Ω
(4) Torque for Tuning Screw		> 600gf · cm	
(5) Temperature Condition:			
Operating Temperature		0°C ~ +60°C	
Storage Temperature		-20°C ~ +70°C	
(6) Input Power		> 0.5Watt	

(7) Measuring Circuit: ※Easy to match Impedance 50Ω/ by parallel with about (0) pF.

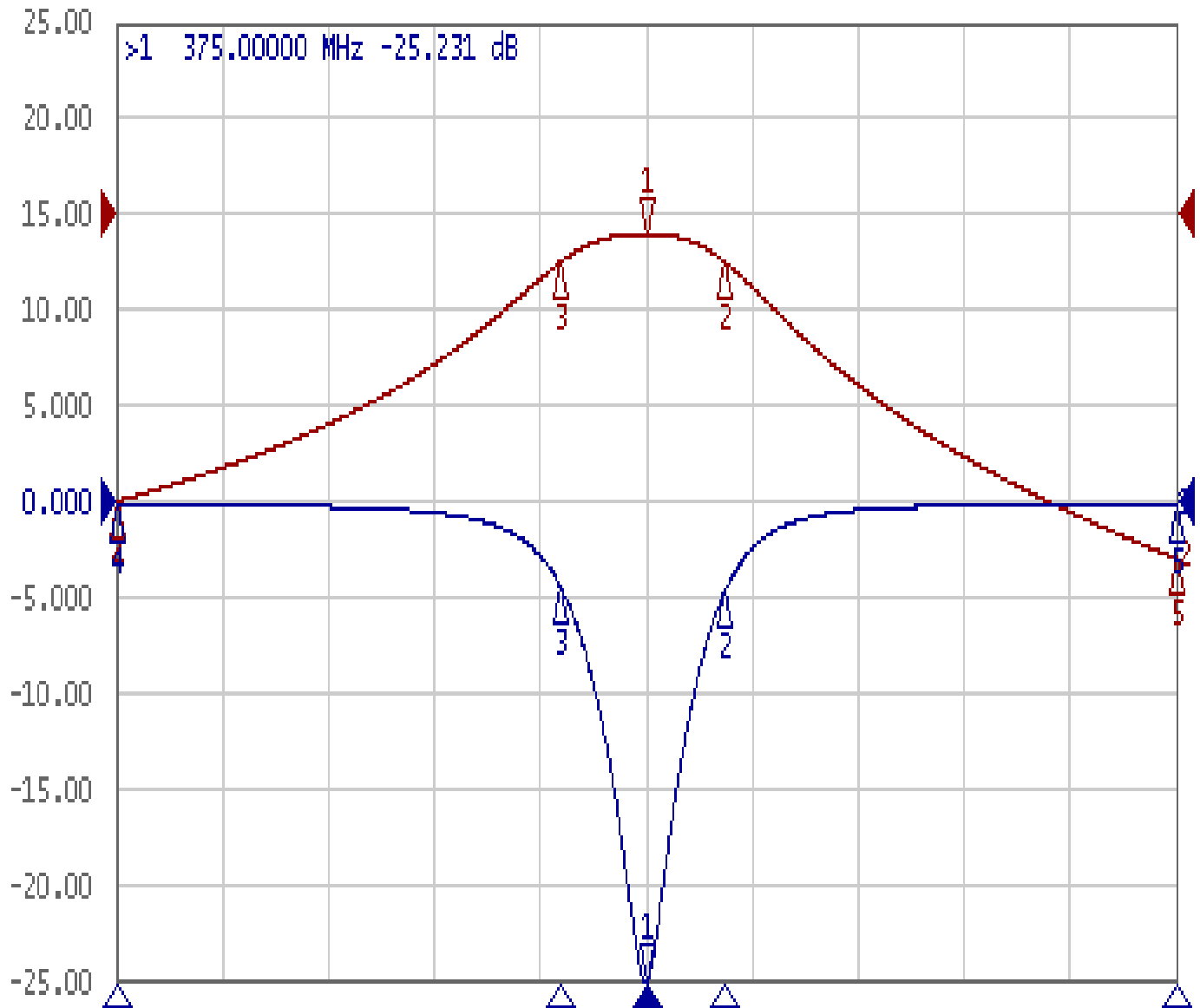


Approval	Supervisor	Designer	Aperture size
C.Y.Chang	C.S.Chang	C.S.Chang	5W2S(3.8*3.5) 5HW020RB3.5
TEMWELL CORPORATION			

# Performance-TDW2889A-375M

## 0806012CD

▶ Tr1 S11 Log Mag 5.000dB/ Ref 0.000dB [F3]  
Tr2 S21 Log Mag 10.00dB/ Ref 0.000dB [F3]



1 Center 375 MHz

IFBW 10 kHz

Span 100 MHz

Ch1	Tr1	S11	>1	375.00000	MHz	-25.231	dB
Ch1	Tr1	S11	2	382.43588	MHz	-4.6701	dB
Ch1	Tr1	S11	3	366.82613	MHz	-4.3852	dB
Ch1	Tr1	S11	4	325.00000	MHz	-0.1372	dB
Ch1	Tr1	S11	5	425.00000	MHz	-0.1255	dB
Ch1	Tr2	S21	1	375.00000	MHz	-2.0458	dB
Ch1	Tr2	S21	2	382.43588	MHz	-4.9948	dB
Ch1	Tr2	S21	3	366.82613	MHz	-5.0813	dB
Ch1	Tr2	S21	4	325.00000	MHz	-30.004	dB
Ch1	Tr2	S21	5	425.00000	MHz	-35.983	dB